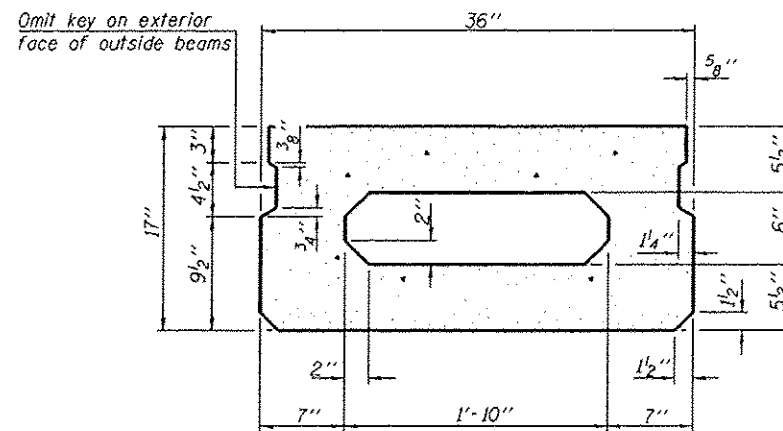
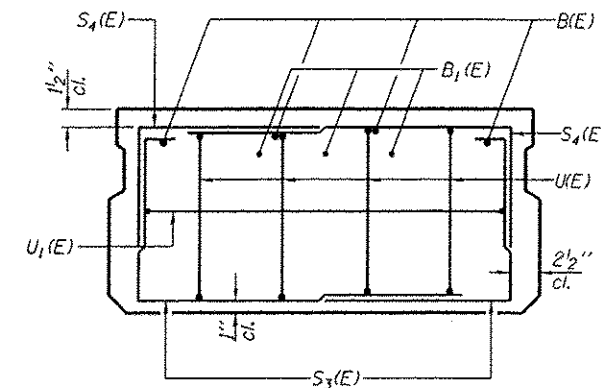


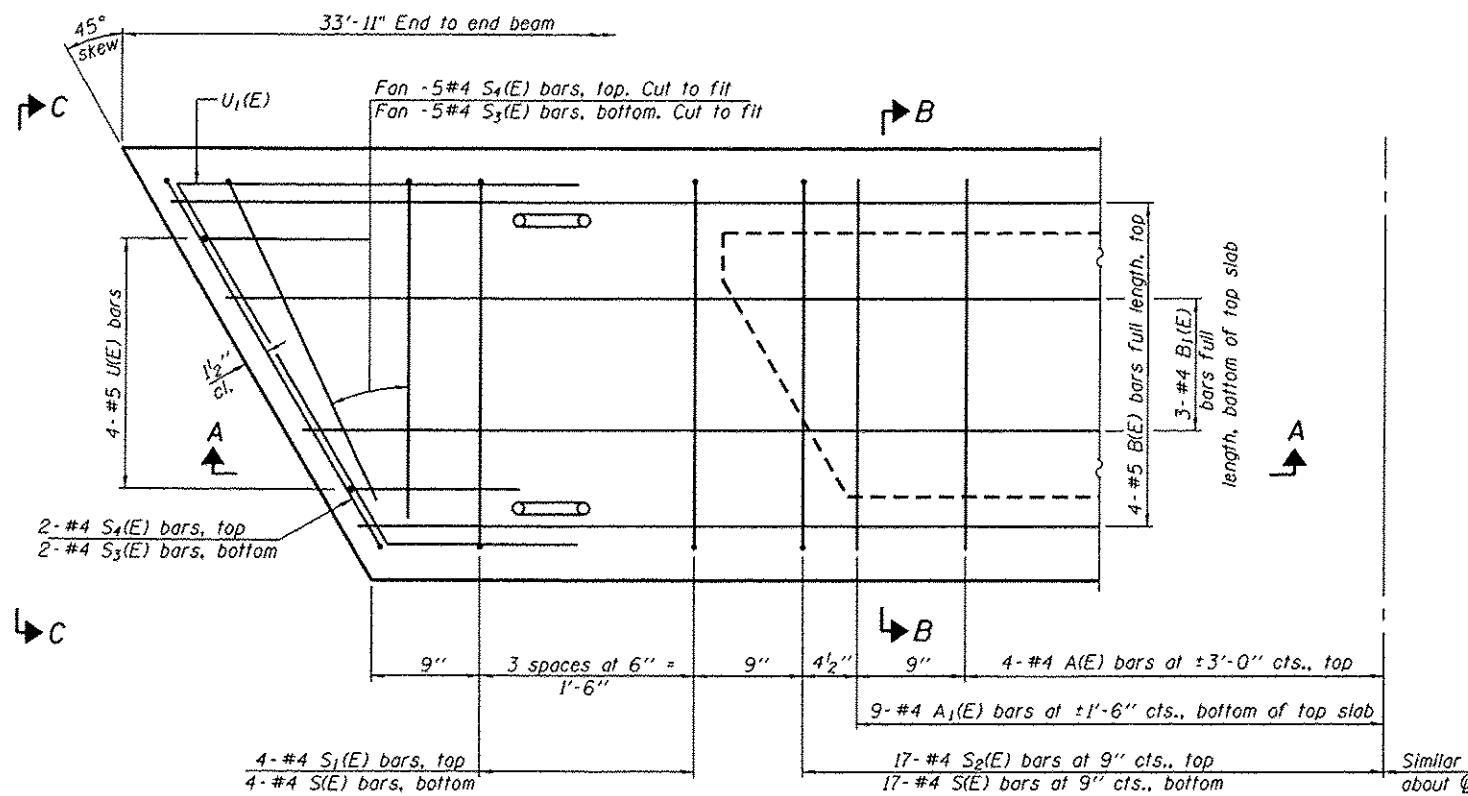
SECTION A-A



SECTION B-B  
(Showing dimensions)

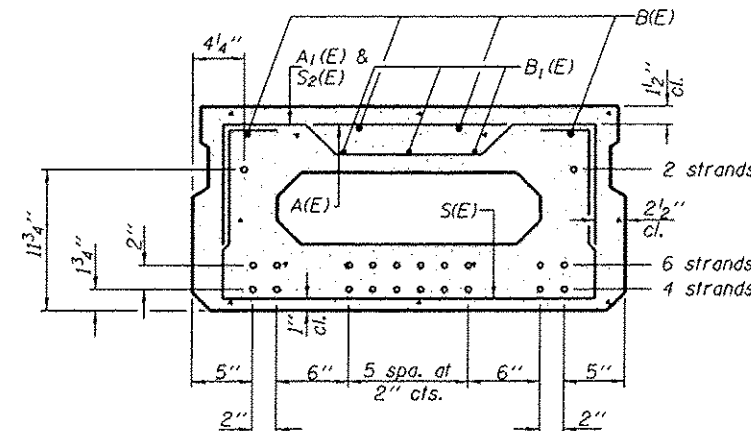


VIEW C-C



PLAN VIEW

Note: Spacing of S(E) and S<sub>2</sub>(E) bars may be adjusted up to 4" in the immediate area of the transverse tie diaphragms to miss the block outs for the transverse ties.



SECTION B-B  
(Showing reinforcement and permissible strand locations)

Note: Place the number of strands specified in each row symmetrically about the centerline of beam in the permissible strand locations shown.

BAR LIST  
ONE BEAM ONLY  
(For information only)

Bar	No.	Size	Length	Shape
A(E)	8	#4	2'-7"	—
A <sub>1</sub> (E)	17	#4	2'-10"	—
B(E)	4	#5	33'-6"	—
B <sub>1</sub> (E)	3	#4	33'-6"	—
S(E)	42	#4	5'-9"	⌈
S <sub>1</sub> (E)	8	#4	4'-3"	⌈
S <sub>2</sub> (E)	34	#4	4'-6"	⌈
S <sub>3</sub> (E)	14	#4	4'-5"	⌈
S <sub>4</sub> (E)	14	#4	3'-8"	⌈
U(E)	8	#5	3'-8"	⌈
U <sub>1</sub> (E)	2	#4	8'-7"	⌈

Note: See sheet 5 of 12 for additional details and Bill of Material.

MINIMUM BAR LAP  
#4 bar = 2'-0"  
#5 bar = 2'-6"

FILE NAME: F:\128613\4-C600 - 0\0\4\3-ST\8876802-97524-08+PPC Dk Br D11.dgn

PD-1736-R

7-1-10

THOUVENOT,  
WADE &  
MOERCHEN, INC.  
SWANSEA • WATERLOO • EDWARDSVILLE • ST. LOUIS • ST. CHARLES



USER NAME = mj001  
PLOT SCALE = 8x2.0000 1/16"  
PLOT DATE = 3/12/2013

DESIGNED - ALN  
CHECKED - MJJ  
DRAWN - MJJ  
CHECKED - ALN

REVISED -  
REVISED -  
REVISED -  
REVISED -

STATE OF ILLINOIS  
DEPARTMENT OF TRANSPORTATION

17" x 36" PPC DECK BEAM  
STRUCTURE NO. 067-6002

SHEET NO. 4 OF 12 SHEETS

F.A.U. RTE.	SECTION	COUNTY	TOTAL SHEETS	SHEET NO.
9304	12-00023-01-BR	MONROE	16	8
ROAD DIST. NO.			ILLINOIS FED. AID PROJECT	

CONTRACT NO. 97524