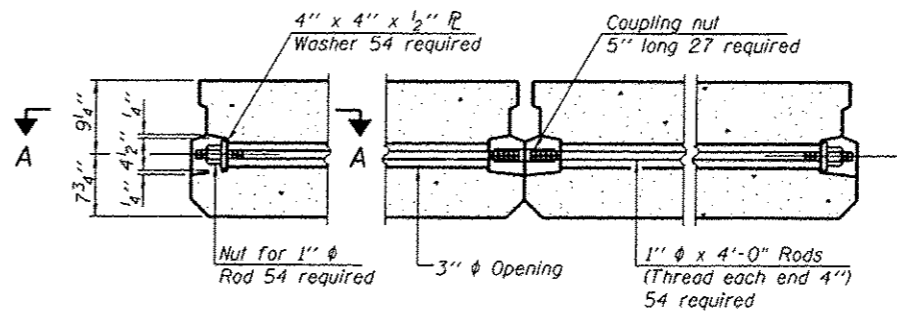
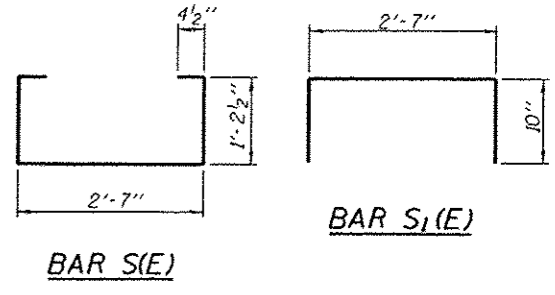


SECTION A-A



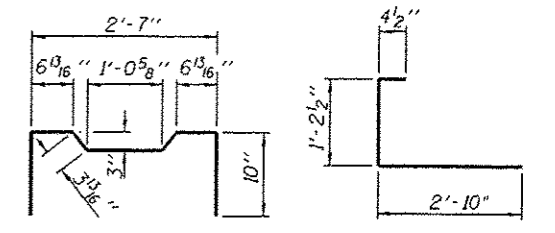
TYPICAL TRANSVERSE TIE ASSEMBLY

No. Req'd is the total for all transverse ties



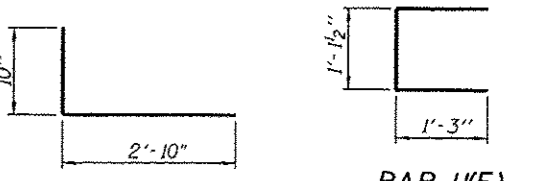
BAR S(E)

BAR S1(E)



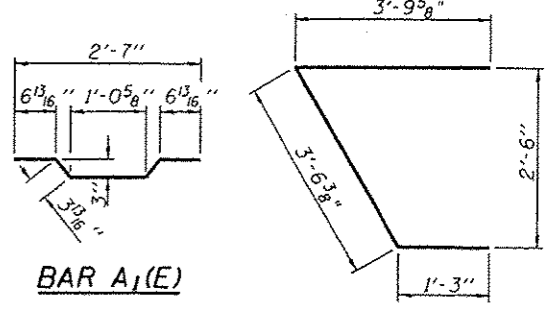
BAR S2(E)

BAR S3(E)



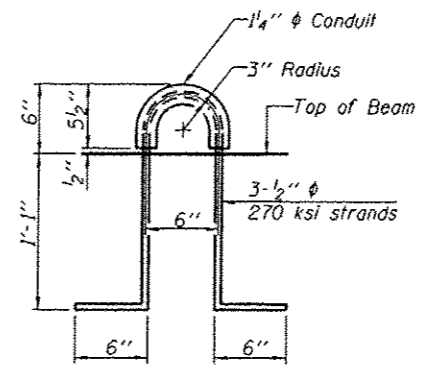
BAR S4(E)

BAR U(E)

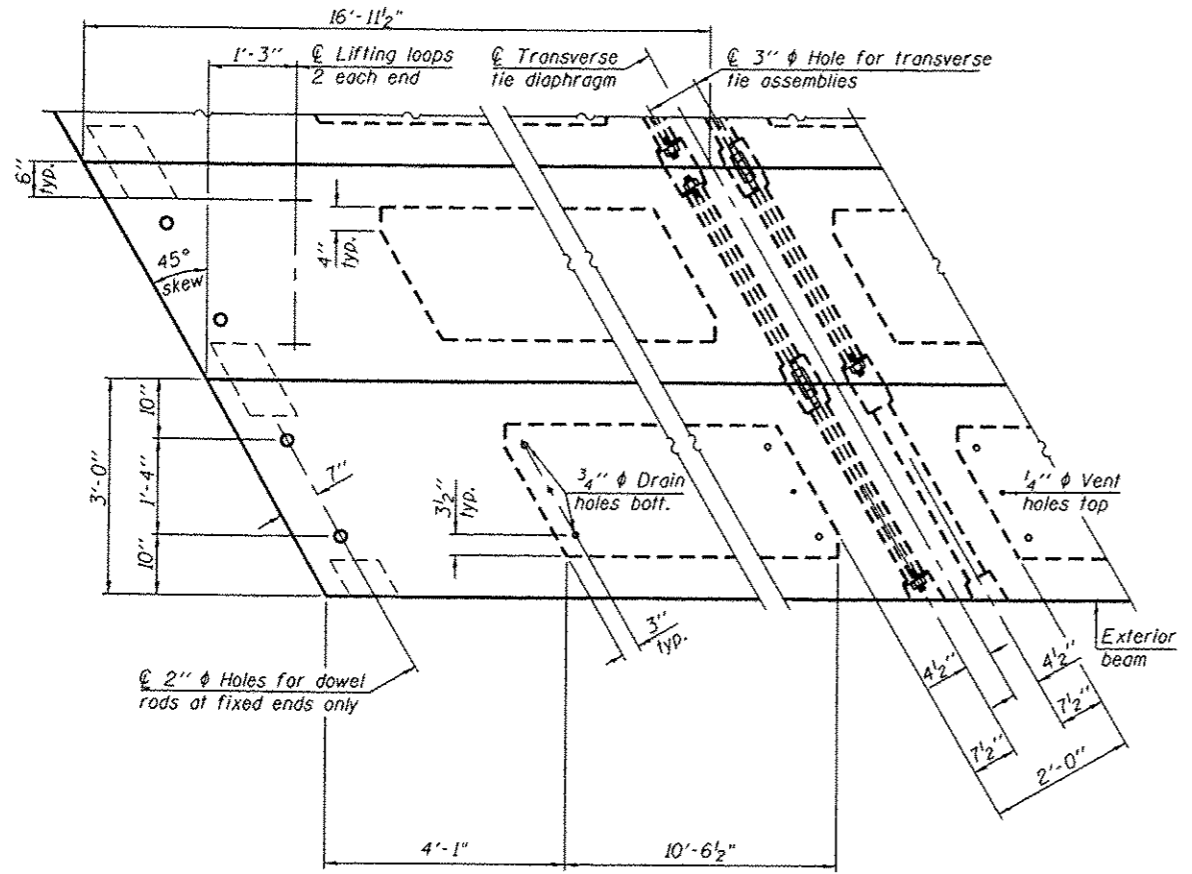


BAR A1(E)

BAR U1(E)



LIFTING LOOP DETAIL



PLAN VIEW

Note: Connect beams in pairs with the transverse tie configuration shown.

NOTES

- Prestressing steel shall be uncoated high strength, low relaxation 7-wire strand, Grade 270. The nominal diameter shall be 1/2" and the nominal cross-sectional area shall be 0.153 sq. in.
- The 1" ϕ rods in the transverse tie assembly shall be tightened to a snug fit and the threads set. Pockets on exterior faces of bridge shall be filled with grout after transverse tie assembly is in place.
- Reinforcement bars shall conform to ASTM A 706, Grade 60. (See Special Provisions).
- A minimum 2 1/2" ϕ lifting pin shall be used to engage the lifting loops during handling.
- Corrosion Inhibitor, per Article 1020.05(b)(12) and 1021.06 of the Standard Specifications, shall be used in the concrete for precast prestressed concrete deck beams.
- Compressive strength of prestressed concrete, $f'c$, shall be 6000 psi.
- Compressive strength of prestressed concrete at release, $f'ci$, shall be 5000 psi.

BILL OF MATERIAL

Precast Prestressed Conc. Deck Bms. (17" depth)	Sq. Ft.	305.3
---	---------	-------

FILE NAME: P:\120813\1-C100 - DWG\14-D-51-057602-9754-005-PFC-Dk-Bm-D11.dgn

THOUVENOT, WADE & MOERCHEN, INC.

 SWANSEA - WATERLOO - EDWARDSVILLE - ST. LOUIS - ST. CHARLES

USER NAME: mjooat	DESIGNED: ALN	REVISED:
CHECKED: MJJ	CHECKED: MJJ	REVISED:
PLOT SCALE: 0.25000 1" = 10'	DRAWN: MJJ	REVISED:
PLOT DATE: 3/12/2013	CHECKED: ALN	REVISED:

**STATE OF ILLINOIS
DEPARTMENT OF TRANSPORTATION**

**17" x 36" PPC DECK BEAM DETAILS
STRUCTURE NO. 067-6002**

SHEET NO. 5 OF 12 SHEETS

F.A.J. RTE. 9304	SECTION 12-00023-01-BR	COUNTY MONROE	TOTAL SHEETS 16	SHEET NO. 9
ROAD DIST. NO. ILLINOIS FED. AID PROJECT			CONTRACT NO. 97524	