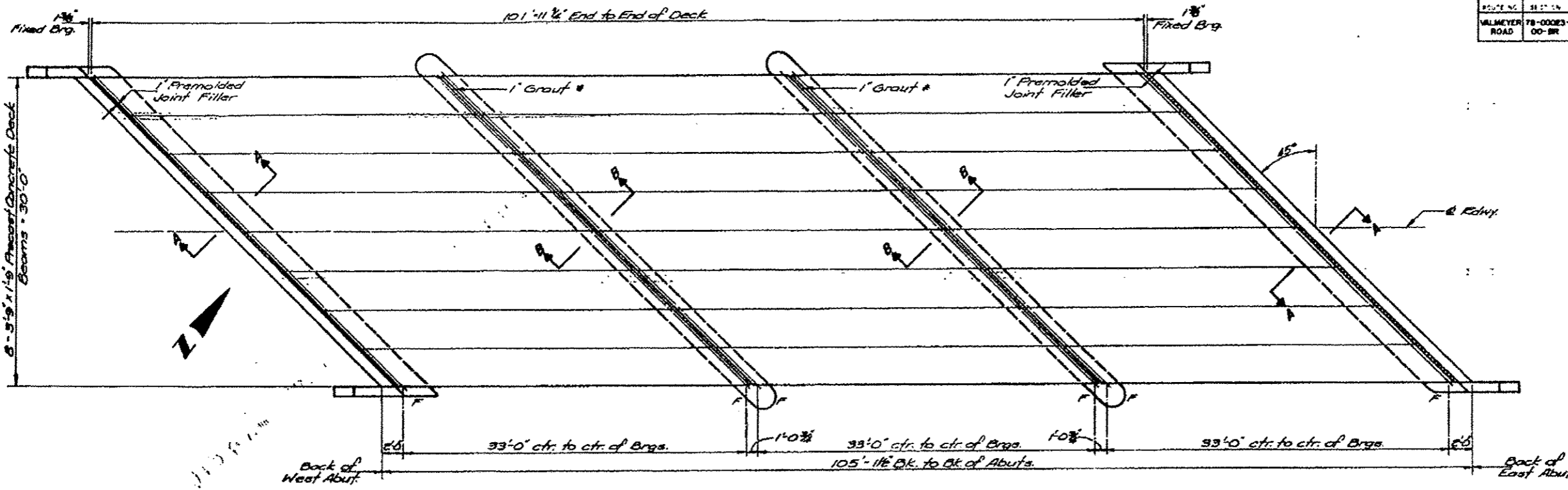
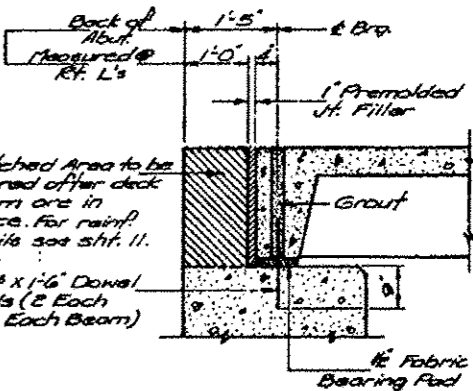


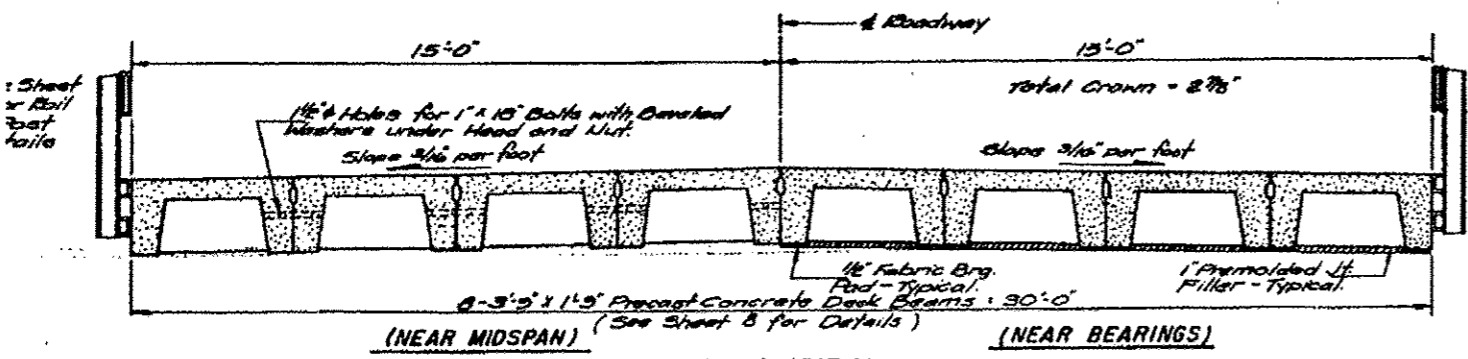
ROUTE NO.	SECTION	COUNTY	SHEET NO.	TOTAL SHEETS
VALMEYER ROAD	78-00023-00-BR	MONROE	11	7



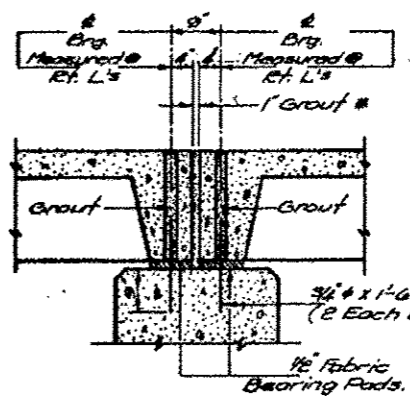
PLAN



SECTION A-A



CROSS SECTION



SECTION B-B

Qty	No.	Size	Length	Shape
h	24	"#4	22'-0"	
Prec. Conc. Bridge Slabs	30.33	Sq. Ft.		3053
Class X Concrete		Cu. Yds.		5.6
Reinforcement Bars		Lbs.		350

**NOTES:**  
 After deck beams are in place holes shall be drilled into the pile caps and the dowel rods grouted in place.  
 1" Joint shall be packed with a very dry mix of 2:1 Sand and PC Mortar. 1" dimension may vary plus or minus to accommodate tolerances in beam lengths.

DESIGNED	KLF
CHECKED	
DRAWN	RAW
CHECKED	KLF

**SUPERSTRUCTURE DECK**  
**VALMEYER ROAD OVER CARR CREEK**  
**SECTION 78-00023-00-BR**  
**CITY OF COLUMBIA**

THOUVENOT, WADE & MOERCHEN, INC.  
 SWANSEA • WATERLOO • EDWARDSVILLE • ST. LOUIS • ST. CHARLES



USER NAME	mjoost	DESIGNED	-	REVISED	-
PLOT SCALE	0:2,0000 Y' / in	CHECKED	-	REVISED	-
PLOT DATE	3/12/2013	DRAWN	-	REVISED	-
		CHECKED	-	REVISED	-

STATE OF ILLINOIS  
DEPARTMENT OF TRANSPORTATION

EXISTING BRIDGE PLANS - FOR INFORMATION ONLY  
STRUCTURE NO. 067-6002

F.A.U. RTE.	SECTION	COUNTY	TOTAL SHEETS	SHEET NO.
9304	12-00023-01-BR	MONROE	16	12
ROAD DIST. NO.			ILLINOIS FED. AID PROJECT	CONTRACT NO. 97524

SHEET NO. 8 OF 12 SHEETS