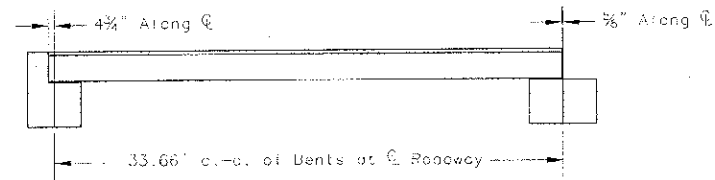
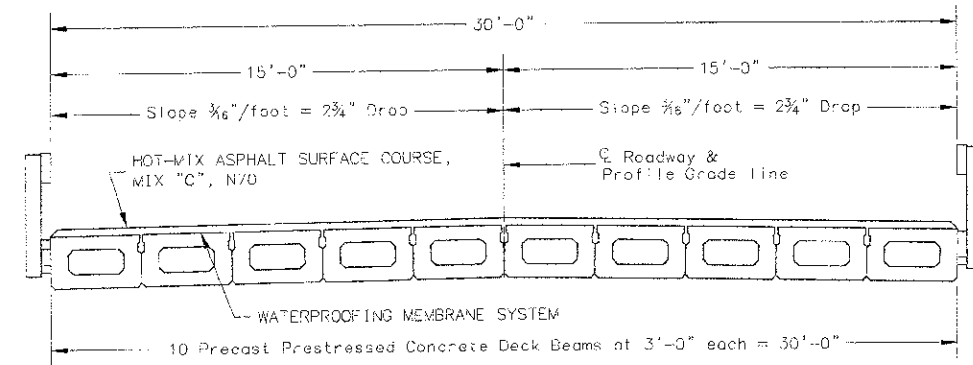


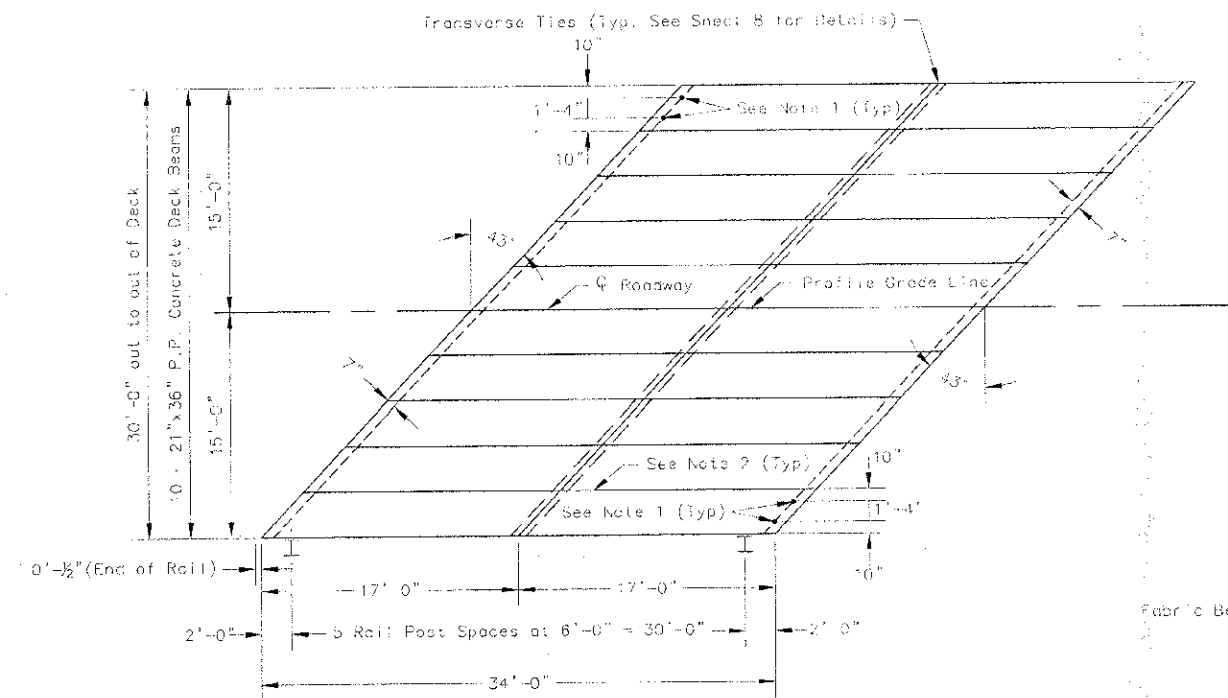
SECTION NO.	COUNTY HIGHWAY	COUNTY	SHEET OF SHEETS
08-00087-06-8R	CH 48	ST. CLAIR	11 OF 15
FHWA REG. NO. 7	ILLINOIS	PROJ.: BR08-0163(631)	
34' BEAM SUPERSTRUCTURE		CONTRACT 97525	



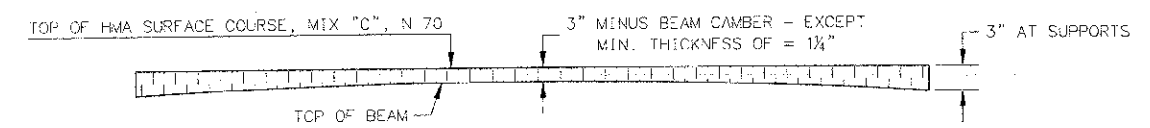
TYPICAL ELEVATION



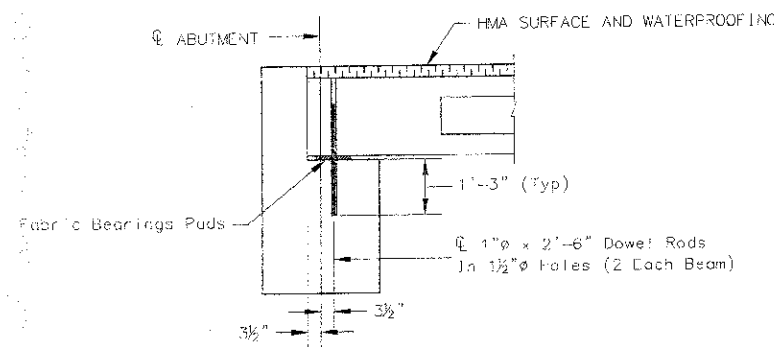
CROSS SECTION



PLAN

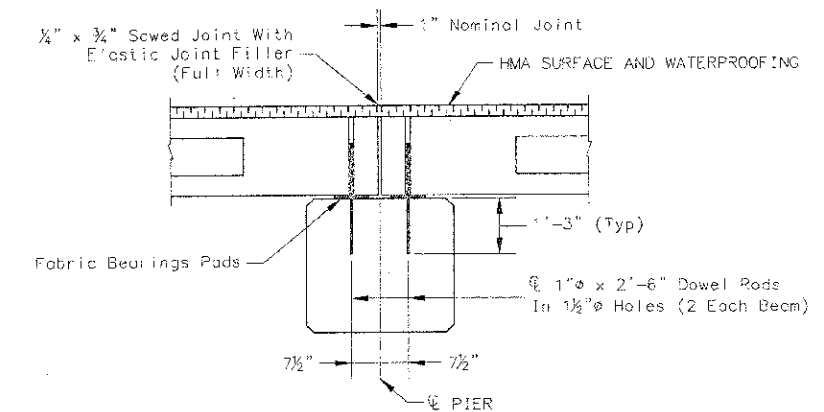


PROFILE OF OVERLAY



SECTION AT ABUTMENTS

(DIMENSIONS ARE AT RIGHT ANGLES)



SECTION AT PIERS

(DIMENSIONS ARE AT RIGHT ANGLES)

NOTES

1. AFTER BEAMS HAVE BEEN ERECTED, JOINTS SHALL BE DRILLED INTO SUBSTRUCTURE AND ANCHOR DOWELS PLACED. DOWEL HOLES SHALL BE FILLED WITH NON-SHRINK GROUT TO TOP OF BEAM AND ALLOWED TO CURE MIN. 24 HRS. PRIOR TO GROUTING THE SHEAR KEYS.
2. LONGITUDINAL KEYS SHALL BE GROUTED.
3. NOMINAL 1" JOINT AT ϕ PIER SHALL BE FILLED WITH NON-SHRINK GROUT.

QUANTITIES FOR 1 END SPAN

P.P. CONC. DK. BM. 21" DP.	1020 SQ FT
STEEL RAILING, TYPE S1	69 FT
HMA SC "C" N70	16 TONS
WATERPROOFING MEMBRANE SYSTEM	113.5 SQ YD
PORTLAND CEMENT MORTAR	306.5 FT
PAVING COURSE	

P.P.C. DECK BEAM SUPERSTRUCTURE	
30' RDWY.	21" x 36" BMS.
34' BEAM	43' LT SKEW

DESIGNED	WLS	10/12
CHECKED	AMC	3/13
DRAWN	WFS	10/12
CHECKED	AMC	3/13
PREPARED BY ST. CLAIR COUNTY		
CADD DRAWING FILE: superstr		

PLOT DATE: 4/13