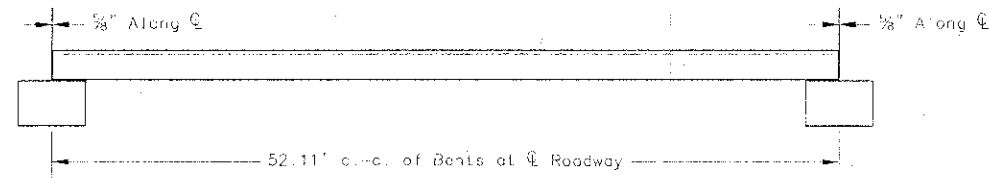
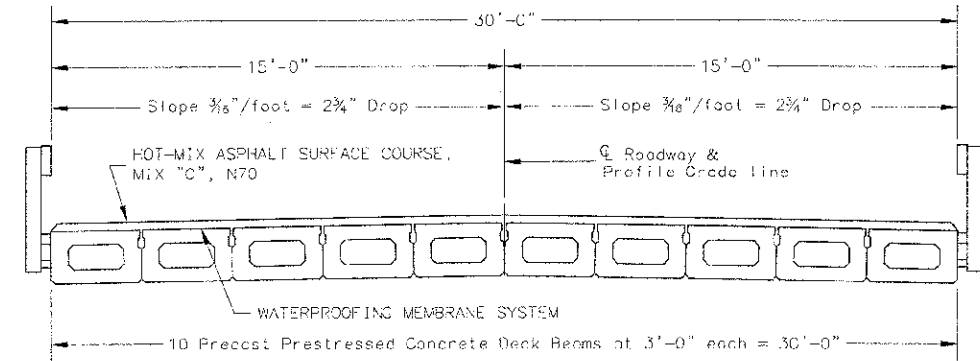


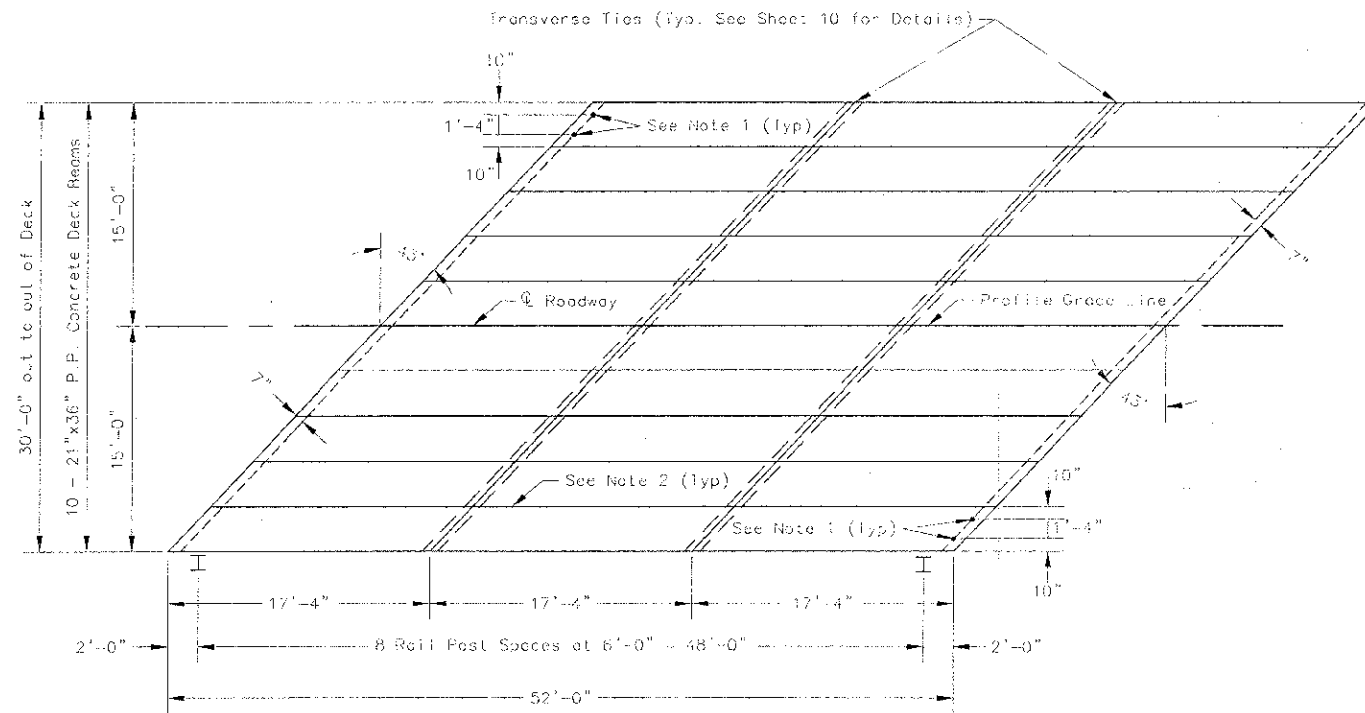
SECTION NO.	COUNTY HIGHWAY	COUNTY	SHEET OF SHEETS
08-00087-06-BR	CH 48	ST. CLAIR	6 OF 15
FHWA REG. NO. 7	ILLINOIS	PROJ. BROS. 0163(031)	
52' BEAM SUPERSTRUCTURE		CONTRACT 97525	



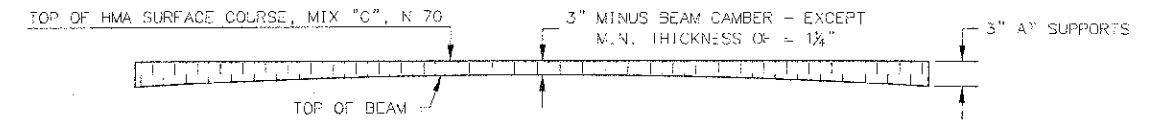
TYPICAL ELEVATION



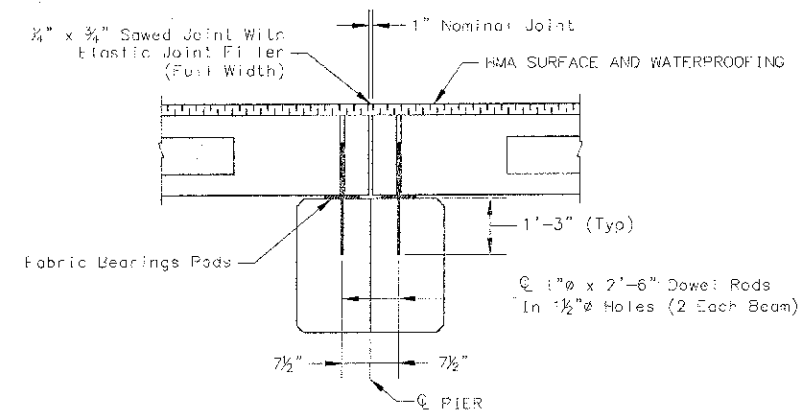
CROSS SECTION



PLAN



PROFILE OF OVERLAY



SECTION AT PIERS  
(DIMENSIONS ARE AT RIGHT ANGLES)

QUANTITIES FOR INTERIOR SPAN

P.P. CONC. DK. BW. 21" DP.	1560 SQ FT
STEEL RAILING, TYPE S1	104 FT
HMA SC "C" N70	25 TONS
WATERPROOFING MEMBRANE SYSTEM	174 SQ YD
PORTLAND CEMENT MORTAR	469 FT
FACING COURSE	

NOTES

- AFTER BEAMS HAVE BEEN ERECTED, HOLES SHALL BE DRILLED INTO SUBSTRUCTURE AND ANCHOR DOWELS PLACED. DOWEL HOLES SHALL BE FILLED WITH NON-SHRINK GROUT TO TOP OF BEAM AND ALLOWED TO CURE MIN. 24 HRS. PRIOR TO GRouting THE SKEW KEYS.
- LONGITUDINAL KEYS SHALL BE CROUTED.
- NOMINAL 1" JOINT AT PIER SHALL BE FILLED WITH NON-SHRINK GROUT.

DESIGNED	WCS	10/12
CHECKED	AMC	3/13
DRAWN	WCS	10/12
CHECKED	AMC	3/13
PREPARED BY ST. CLAIR COUNTY		
CADD DRAWING FILE: superstr		

P.P.C. DECK BEAM SUPERSTRUCTURE	
30' RDWY.	21" x 36" BMS.
52' BEAM	43' LT SKEW