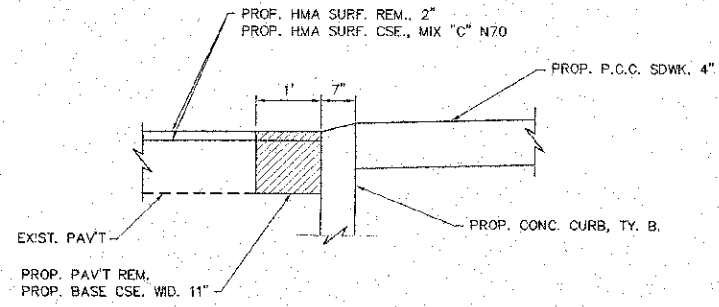
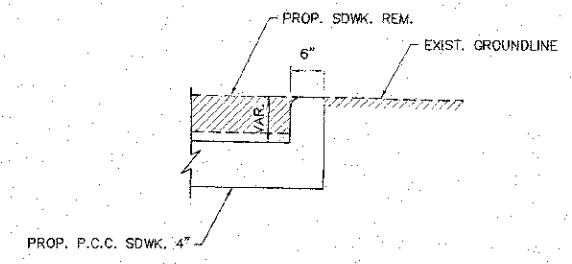


F.A.U. RTE.	SECTION	COUNTY	TOTAL SHEETS	SHEET NO.
8971	10-00047-02-RS	MADISON	45	25

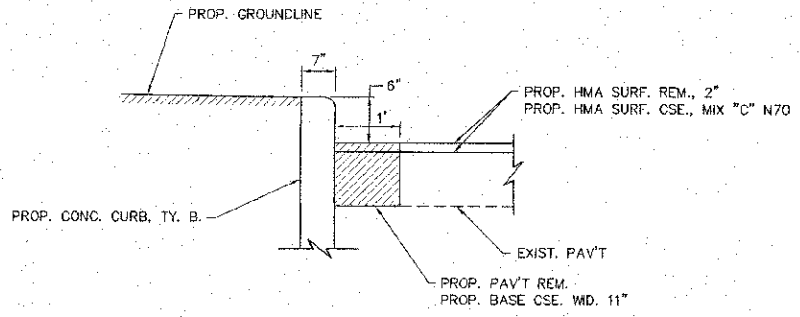
CONTRACT NO. 97526



SECTION A - A



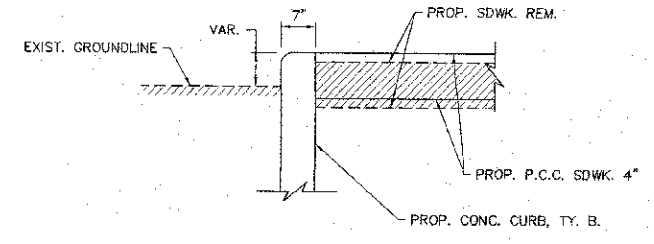
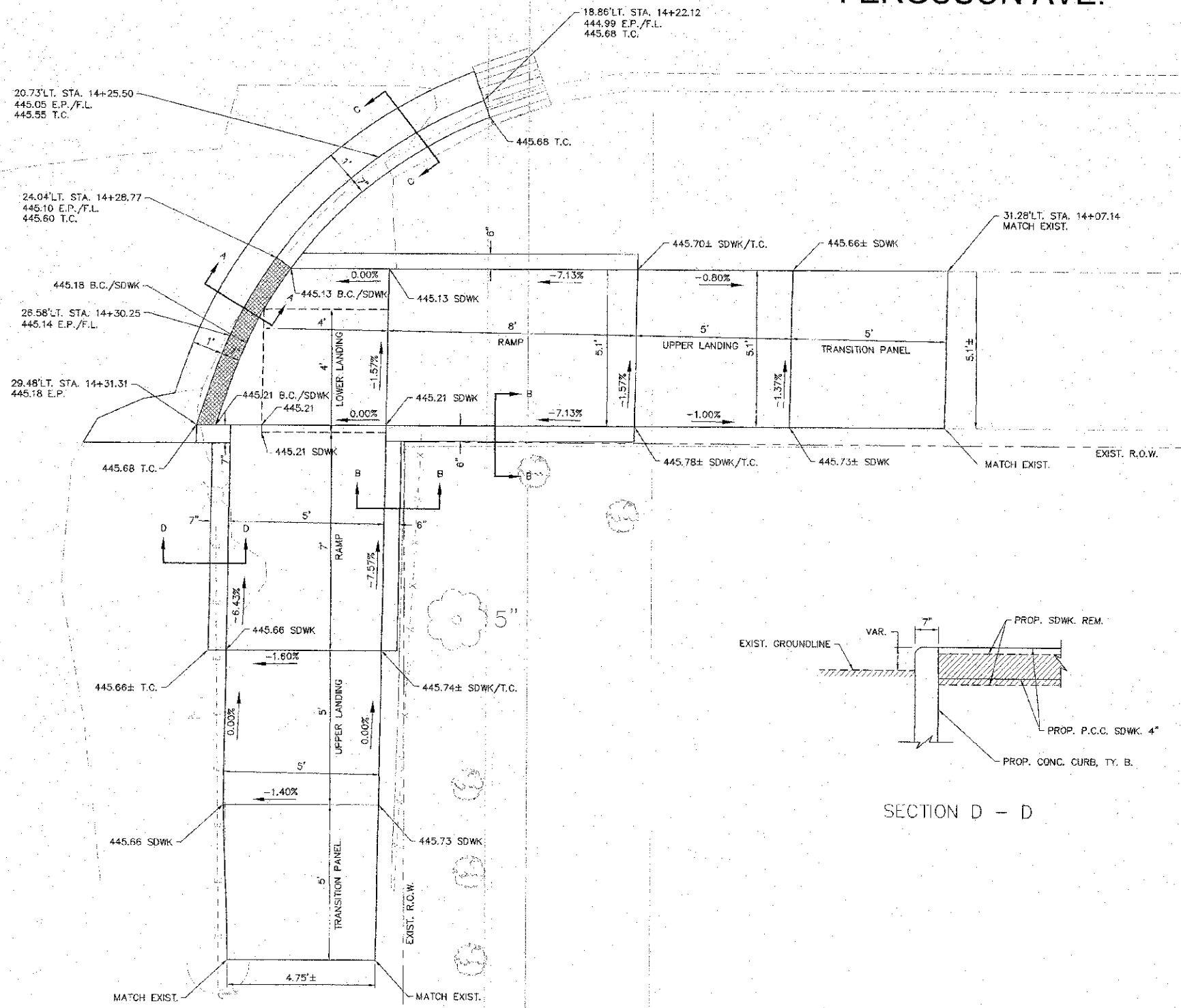
SECTION B - B



SECTION C - C

FERGUSON AVE.

5TH ST.



SECTION D - D

SEE PLAN SHEET FOR LOCATION OF DETECTABLE WARNING

5TH ST. SE. QUAD

REVISIONS

SMS ENGINEERS

Sheppard, Morgan & Schwaab, Inc.
CONSULTING ENGINEERS AND LAND SURVEYORS
215 Market Street, P.O. Box E, Alton, IL 62002, 618493-0765, E-mail: ms@smsengineers.com
10 Central Expressway, Suite 3, Grant's City, IL 62040, 618377-8370, E-mail: ms@smsengineers.com
DESIGN FIRM # 184-000992

CITY OF WOOD RIVER, ILLINOIS
FERGUSON AVENUE RESURFACING
SECTION 10-00047-02-RS
INTERSECTION DETAILS

DWG. NO.	10-00047-02-RS
INT. DET. FERGUSON 5TH.DWG	
REF. BK. PG.	
JOB NO. 488044	
DSN. BY: LDA	
DWN. BY: CAD	
CHK. BY: LDA	
DATE: APRIL, 2013	
SCALE: NOT TO SCALE	
SHEET 25 OF 45	

S:\Land Projects\WOOD RIVER PS (488044)\FERGUSON\HC RAMPS\dwg\INT DET FERGUSON 5TH.DWG, 4/15/2013 8:51:33 AM, linan, 1:2