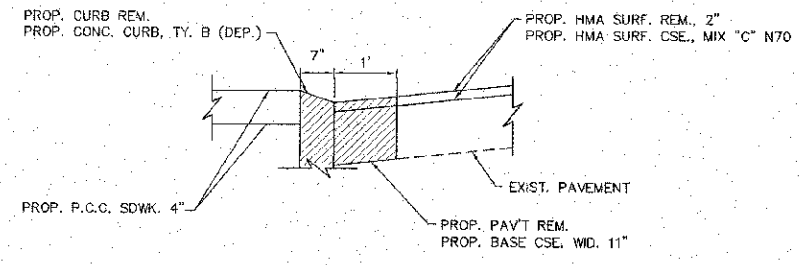
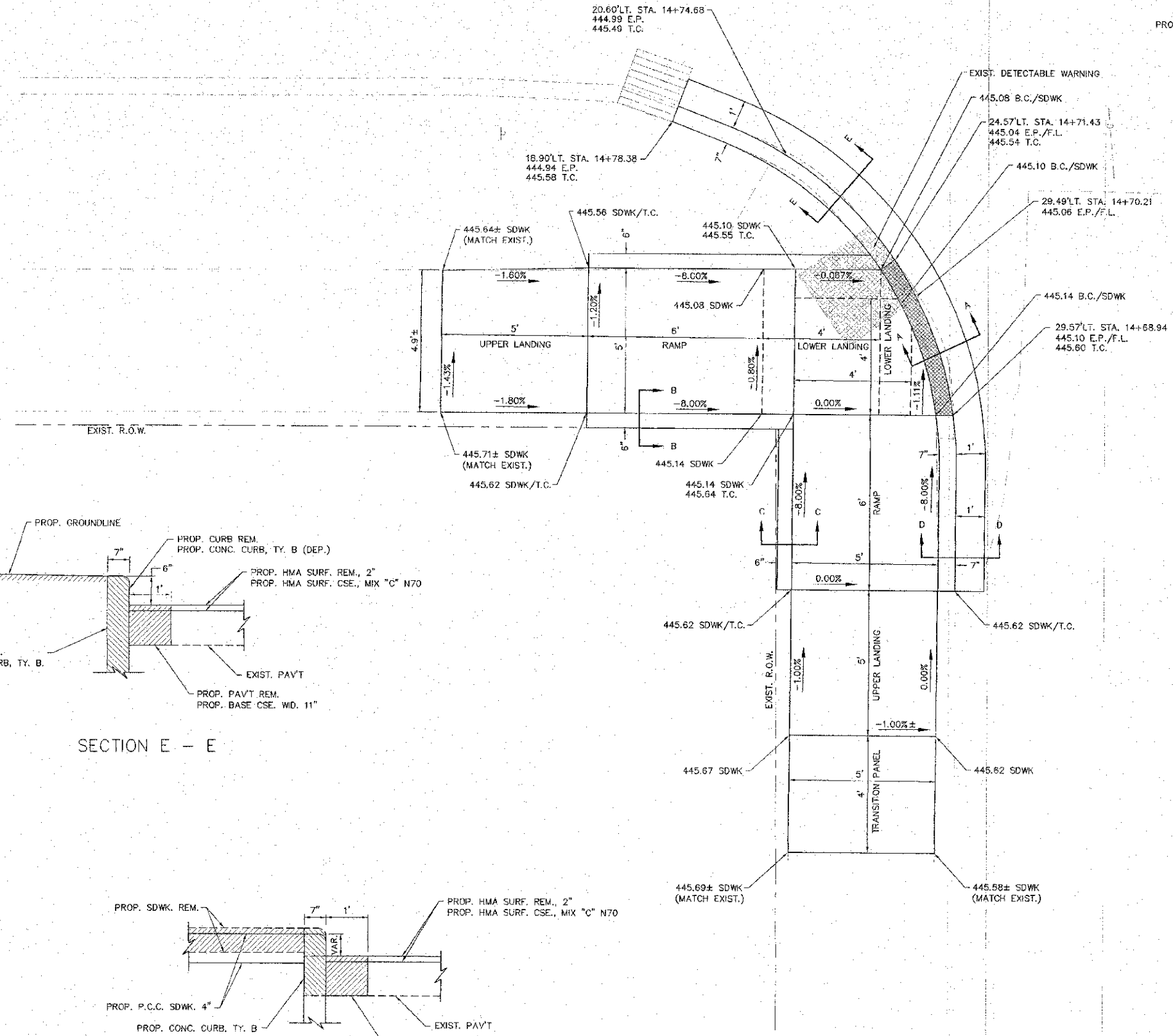


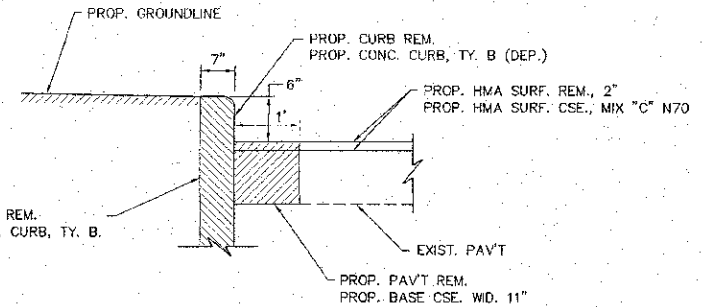
FERGUSON AVE.

F.A.U. RTE.	SECTION	COUNTY	TOTAL SHEETS	SHEET NO.
B971	10-00047-02-R5	MADISON	45	27

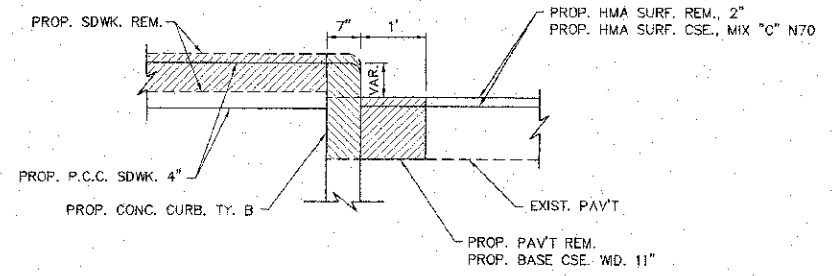
CONTRACT NO. 97526



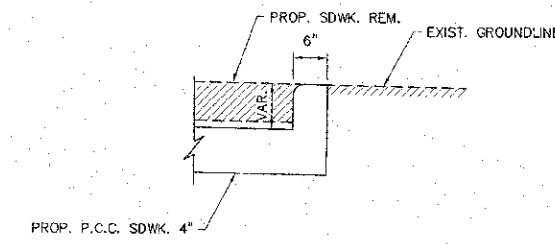
SECTION A - A



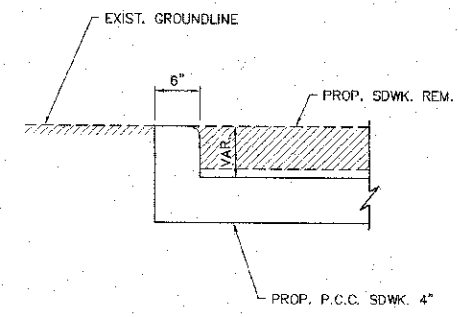
SECTION E - E



SECTION D - D



SECTION B - B



SECTION C - C

SEE PLAN SHEET FOR LOCATION OF DETECTABLE WARNING

5TH ST.

5TH ST. SW. QUAD

REVISIONS

SMS Sheppard, Morgan & Schwaab, Inc.
 CONSULTING ENGINEERS AND LAND SURVEYORS
 215 North Street, P.O. Box E, Alton, IL 62002, 618/462-2955, E-mail: info@sms-engineers.com
 10 Central Industrial Drive, Suite 3, Ocala, FL 32061, 813/887-5200, E-mail: info@sms-engineers.com
 DESIGN FIRM # 184-000992

CITY OF WOOD RIVER, ILLINOIS
 FERGUSON AVENUE RESURFACING
 SECTION 10-00047-02-R5
 INTERSECTION DETAILS

DWG. NO.	10-00047-02-R5
REF. BK.	PG.
JOB NO.	488044
DSN. BY:	LDA
DWN. BY:	CAO
CHK. BY:	LDA
DATE:	APRIL, 2013

SCALE: NOT TO SCALE
 SHEET 27 OF 45

S:\Land Project\15WOOD RIVER PE (488044) FERGUSON HC RAMPS\dwg\INT DET FERGUSON 5TH.Dwg, 4/15/2013 9:52:04 AM, jman.12