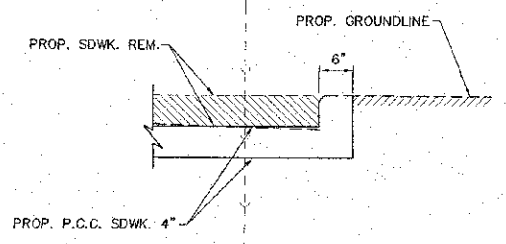
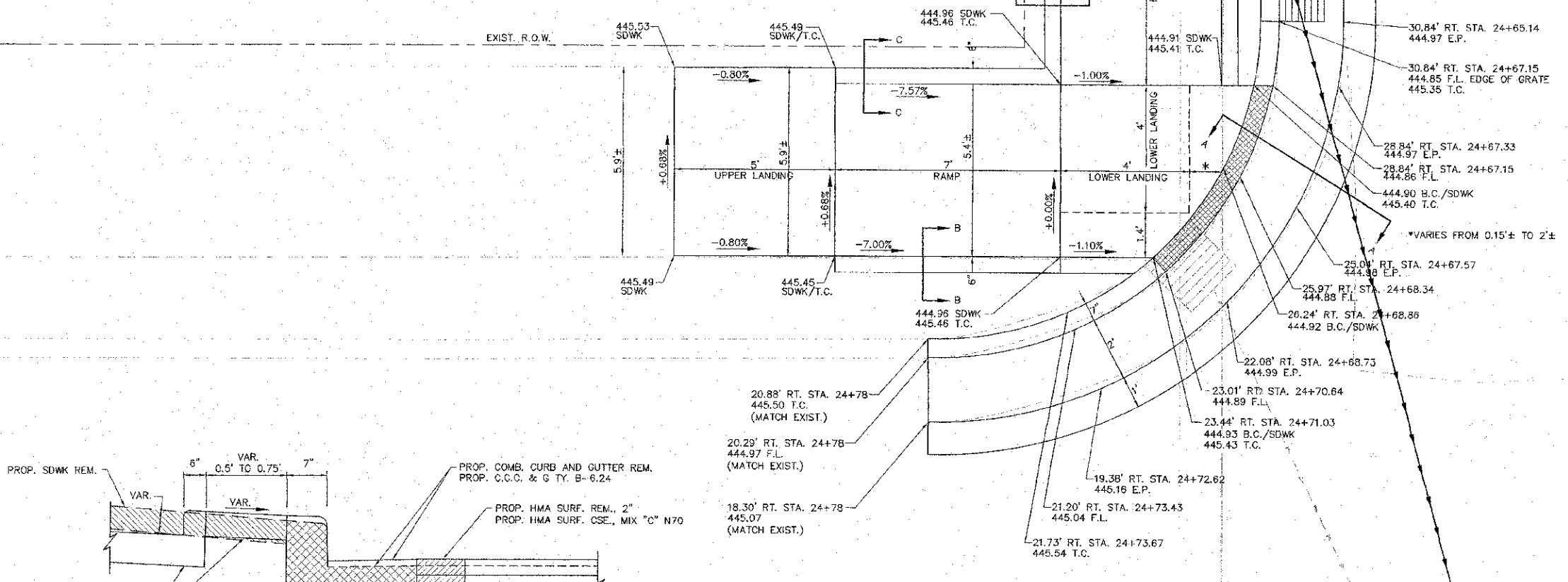


SECTION A - A

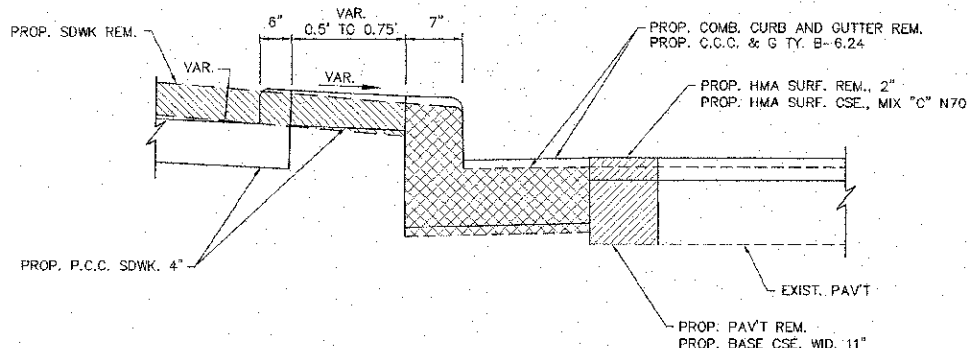


SECTION B - B

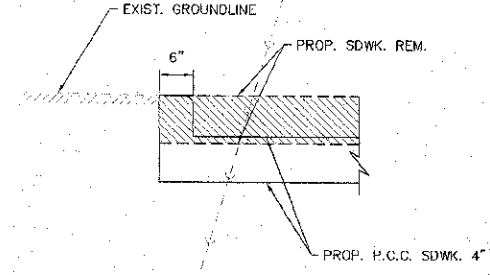


FERGUSON AVE.

3RD ST.



SECTION D - D



SECTION C - C

SEE PLAN SHEET FOR LOCATION OF DETECTABLE WARNING

3RD ST. NW. QUAD

REVISIONS

SMS ENGINEERS
Sheppard, Morgan & Schwaab, Inc.
 CONSULTING ENGINEERS AND LAND SURVEYORS
 215 Market Street, P.C. Box E, Alton, IL 62002, 618-462-9755 E-mail: msh@smsengineers.com
 10 Central Industrial Drive, Suite 3, Granite City, IL 62040 618-977-8700 E-mail: msh@smsengineers.com
 DESIGN FIRM # 184-000992

CITY OF WOOD RIVER, ILLINOIS
 FERGUSON AVENUE RESURFACING
 SECTION 10-00047-02-RS
 INTERSECTION DETAILS

DWG. NO.	10-00047-02-RS
REF. BK. PG.	
JOB NO.	488044
DSN. BY:	LDA
DWN. BY:	CAD
CHK. BY:	LDA
DATE:	APRIL, 2013

S:\Land Project\WOOD RIVER PS (488044)\FERGUSON-HE RAMPS.dwg, 4/15/2013 9:07:08 AM, jimar, 1:2