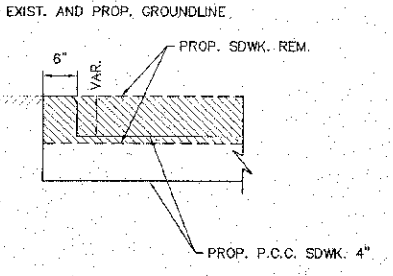


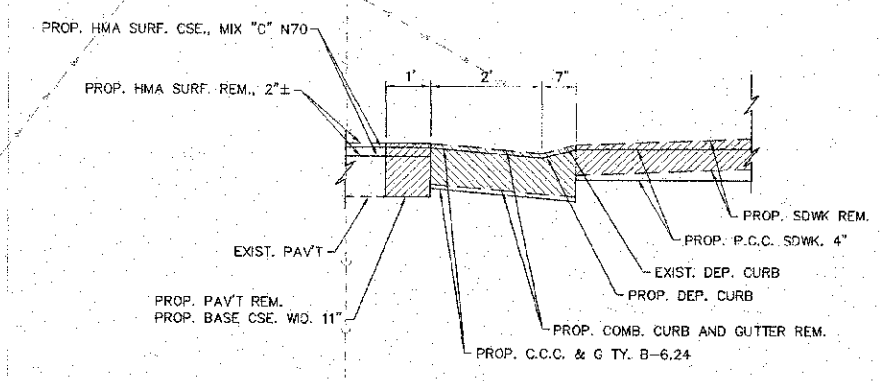
F.A.U. RTE.	SECTION	COUNTY	TOTAL SHEETS	SHEET NO.
8971	10-00047-02-R5	MADISON	45	35

CONTRACT NO. 97526

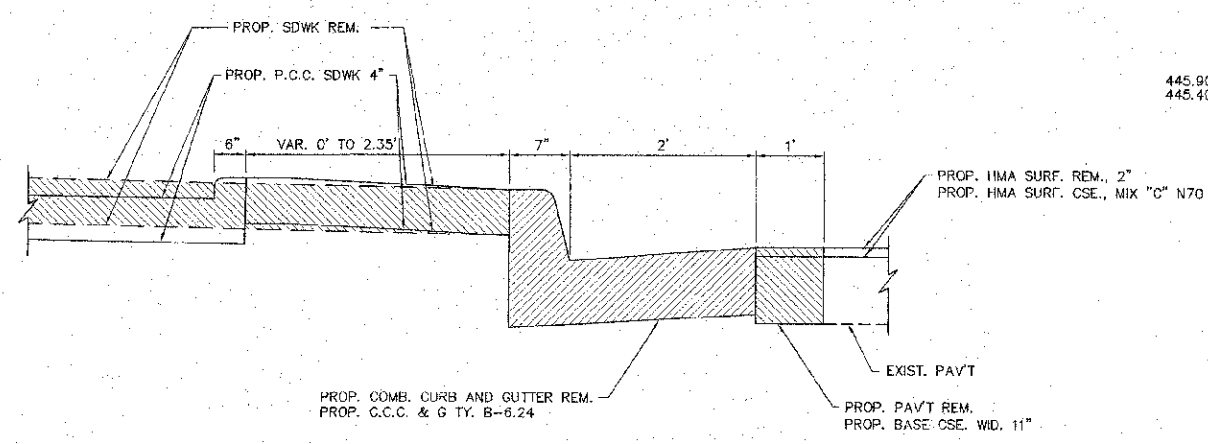
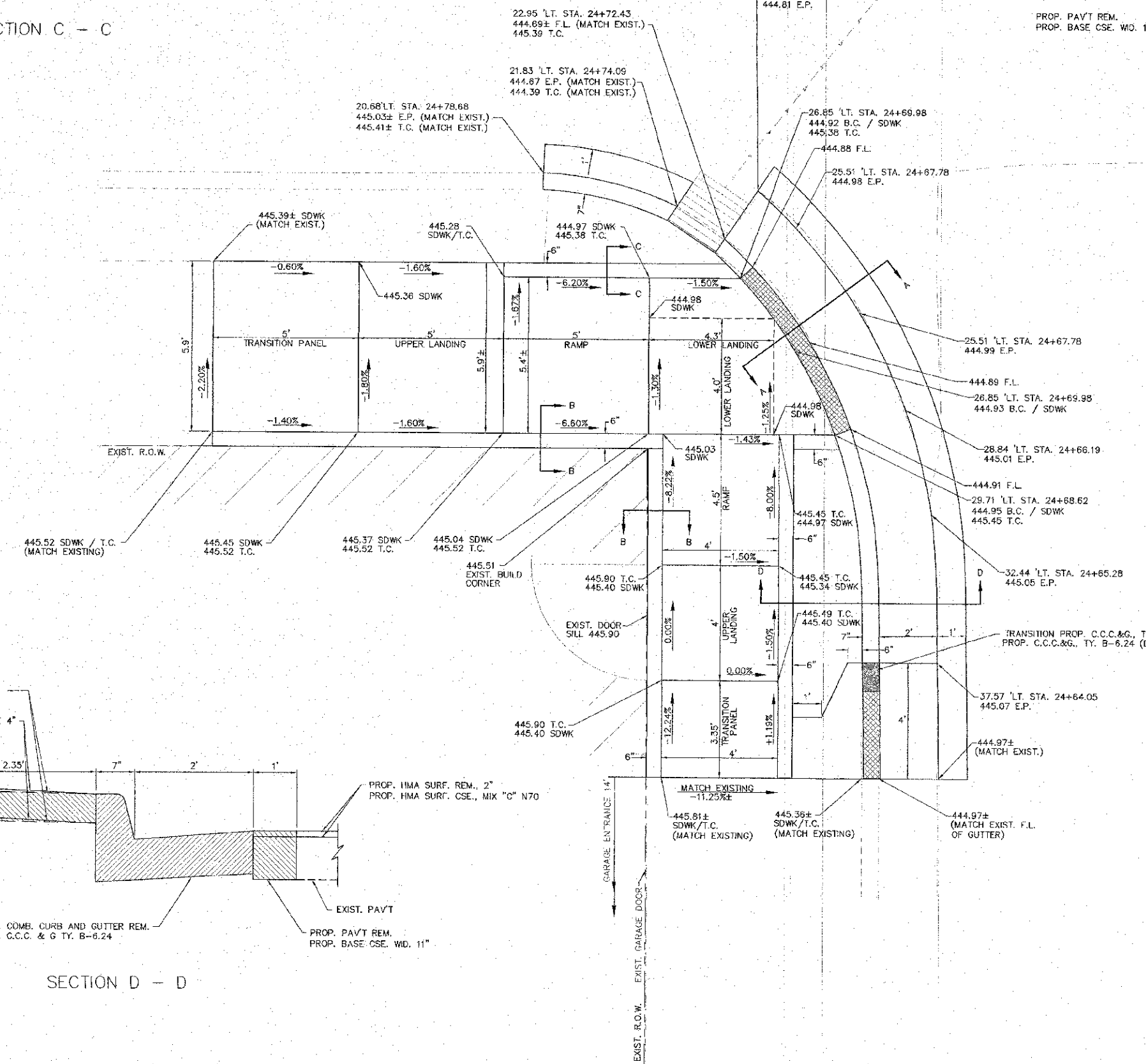


SECTION C - C

FERGUSON AVE.

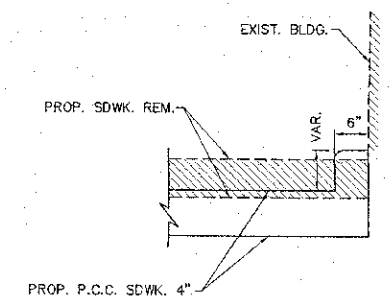


SECTION A - A



SECTION D - D

3RD ST.



SECTION B - B

SEE PLAN SHEET FOR LOCATION OF DETECTABLE WARNING

REVISIONS

SMS ENGINEERS
Sheppard, Morgan & Schwaab, Inc.
 CONSULTING ENGINEERS AND LAND SURVEYORS
 215 Market Street, P.O. Box 11, Elmhurst, IL 60120-0011
 10 General Industrial Drive, Suite 3, Geneva, IL 60135
 DESIGN FIRM # 184-000992

CITY OF WOOD RIVER, ILLINOIS
 FERGUSON AVENUE RESURFACING
 SECTION 10-00047-02-R5
 INTERSECTION DETAILS

DWG. NO.	10-00047-02-R5
DATE	APRIL 2013
DESIGNED BY	LDA
CHECKED BY	LDA
DATE	APRIL 2013

3RD ST. SW. QUAD

S:\Land Projects\WOOD RIVER PS (48104)\FERGUSON HC RAMPS\Sub\INT DET FERGUSON 3RD.dwg, 4/15/2013 9:07:23 AM, jiman, 1:2