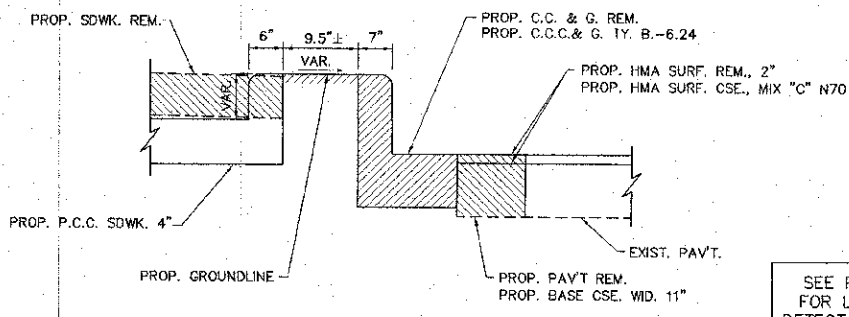
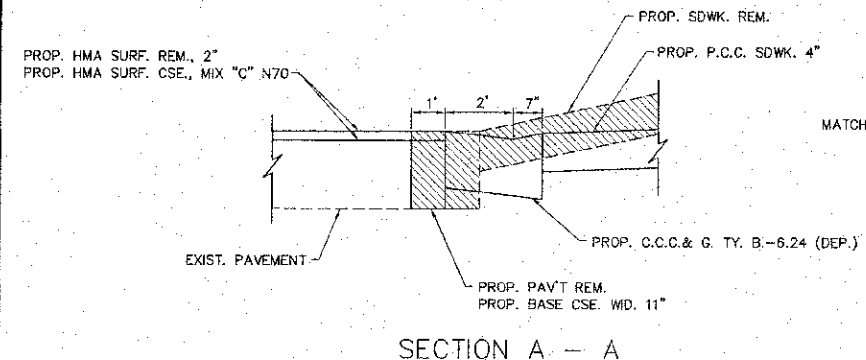
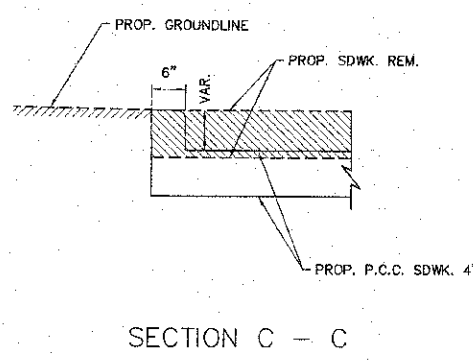
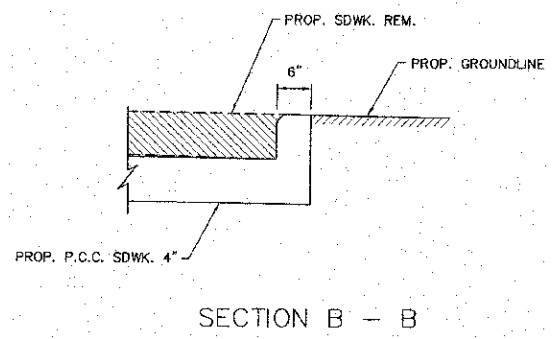
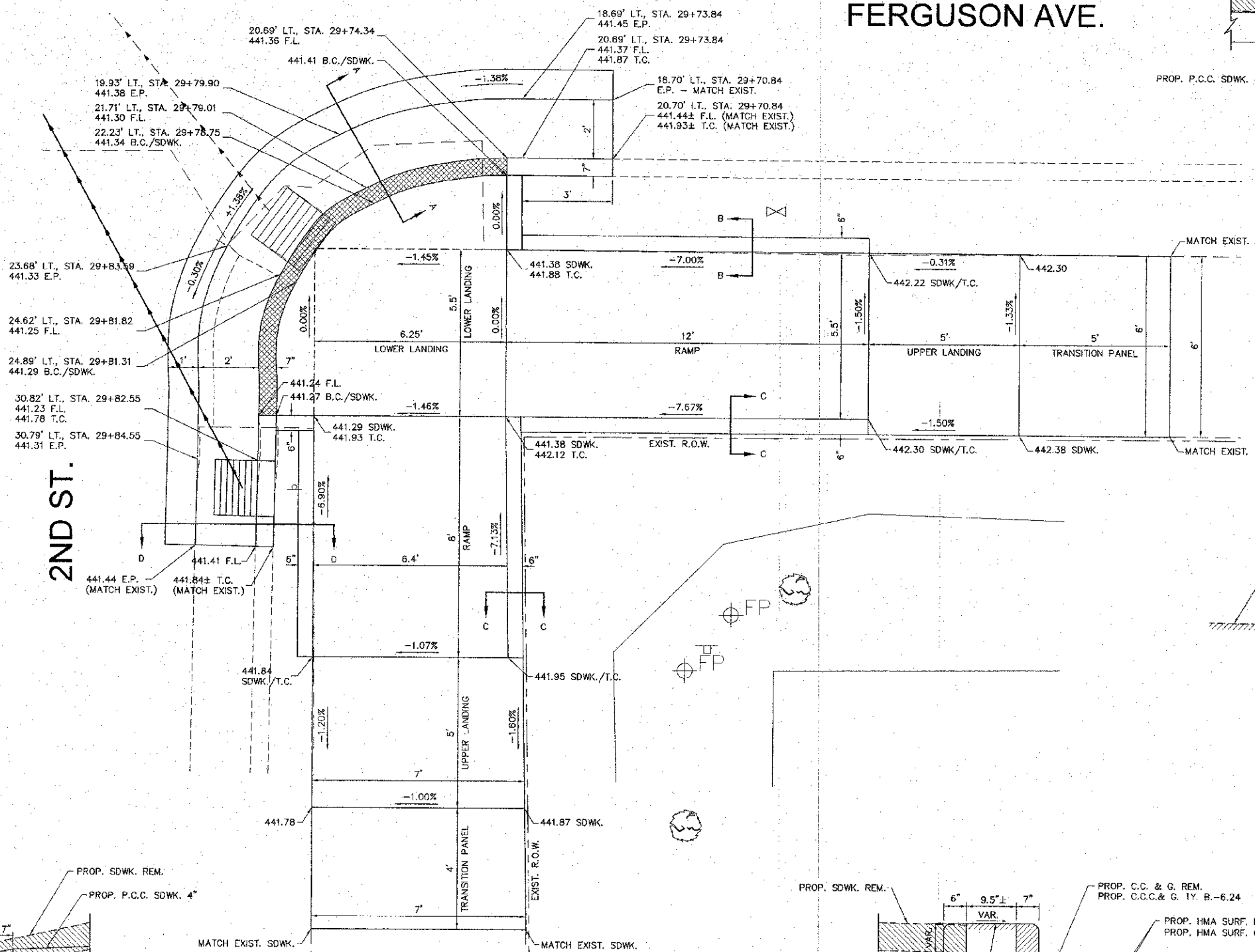




F.A.U. RTE.	SECTION	COUNTY	TOTAL SHEETS	SHEET NO.
8971	10-00047-02-RS	MADISON	45	37

CONTRACT NO. 97526



SEE PLAN SHEET FOR LOCATION OF DETECTABLE WARNING

REVISIONS

NO.	DESCRIPTION

SMS ENGINEERS
 Sheppard, Morgan & Schwaab, Inc.
 CONSULTING ENGINEERS AND LAND SURVEYORS
 215 Market Street, P.O. Box E, Alton, IL 62002 618/482-8785 E-mail: sms@smsengineers.com
 10 Central Industrial Drive, Suite 3, Granite City, IL 62040 618/877-8700 E-mail: mgs@granitecity.com
 DESIGN FIRM # 184-000992

CITY OF WOOD RIVER, ILLINOIS
 FERGUSON AVENUE RESURFACING
 SECTION 10-00047-02-RS
 INTERSECTION DETAILS

DWG. NO. INT DET FERGUSON 2ND.DWG.
 REF. BK. PG.
 JOB NO. 488044
 DSN. BY: LDA
 DWN. BY: CAD
 CHK. BY: LDA
 DATE: APRIL 2013
 SCALE: NOT TO SCALE
 SHEET 37 OF 45

2ND ST. SE. QUAD