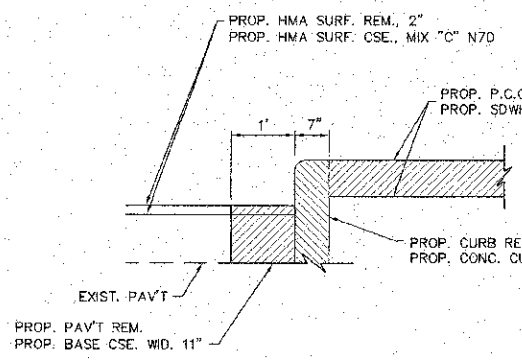
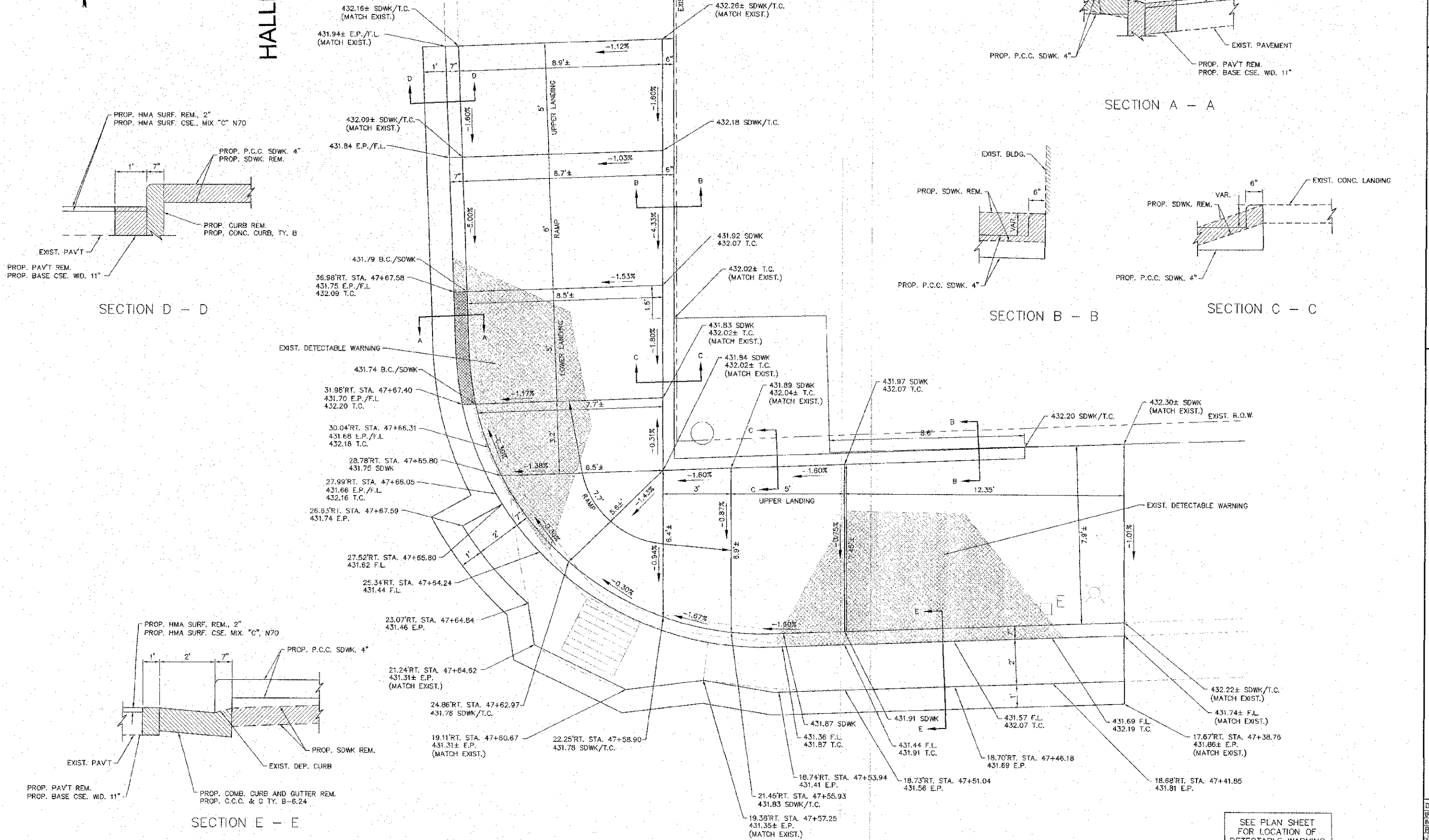


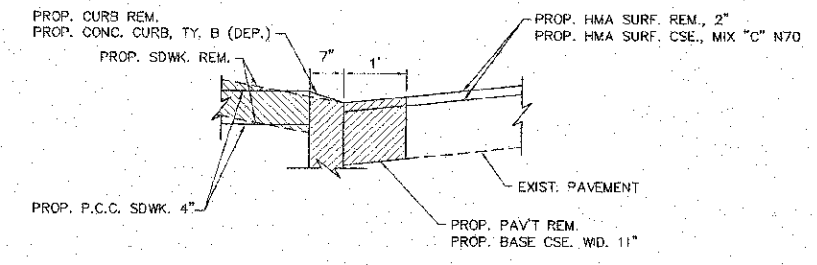
F.A.U. RTE.	SECTION	COUNTY	TOTAL SHEETS	SHEET NO.
8971	10-00047-02-RS	MADISON	45	40

CONTRACT NO. 97526

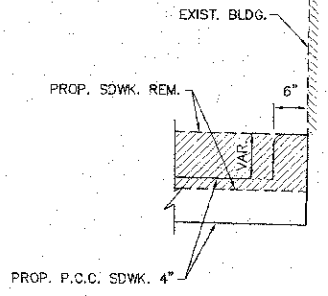
HALLER ST.



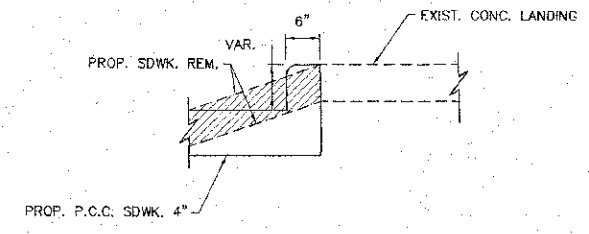
SECTION D - D



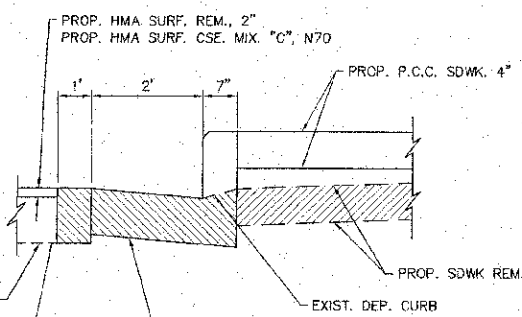
SECTION A - A



SECTION B - B



SECTION C - C



SECTION E - E

SEE PLAN SHEET FOR LOCATION OF DETECTABLE WARNING

FERGUSON AVE.

HALLER ST. NE. QUAD

REVISIONS

**SMS ENGINEERS**  
 Sheppard, Morgan & Schwaab, Inc.  
 CONSULTING ENGINEERS AND LAND SURVEYORS  
 215 Market Street, P.O. Box E, Alton, IL 62002, 618-242-2755, E-mail: ms@smsengineers.com  
 10 Central Industrial Drive, Suite 3, Granite Lake, IL 60140, 618-377-5800, E-mail: ms@smsengineers.com  
 DESIGN FIRM # 184-000992

CITY OF WOOD RIVER, ILLINOIS  
 FERGUSON AVENUE RESURFACING  
 SECTION 10-00047-02-RS  
 INTERSECTION DETAILS

DWG. NO.	10-00047-02-RS-40
DATE	APRIL 2013
DESIGNER	LDA
CHECKER	LDA
DATE	APRIL 2013

SCALE: NOT TO SCALE  
 SHEET 40 OF 45

S:\1\Project\WOOD RIVER, IL\488044\FERGUSON, HC RAMPS\DWG\INT DET FERGUSON, HALLER.dwg 4/12/2013 9:10:15 AM, jlmh, 1,2