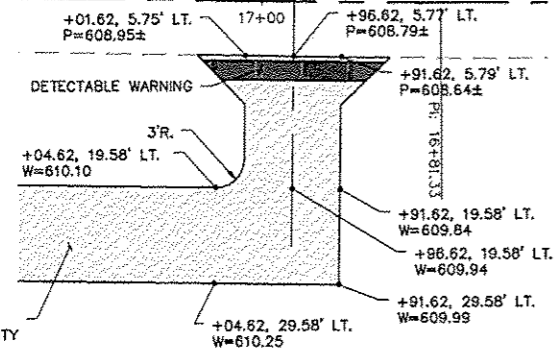
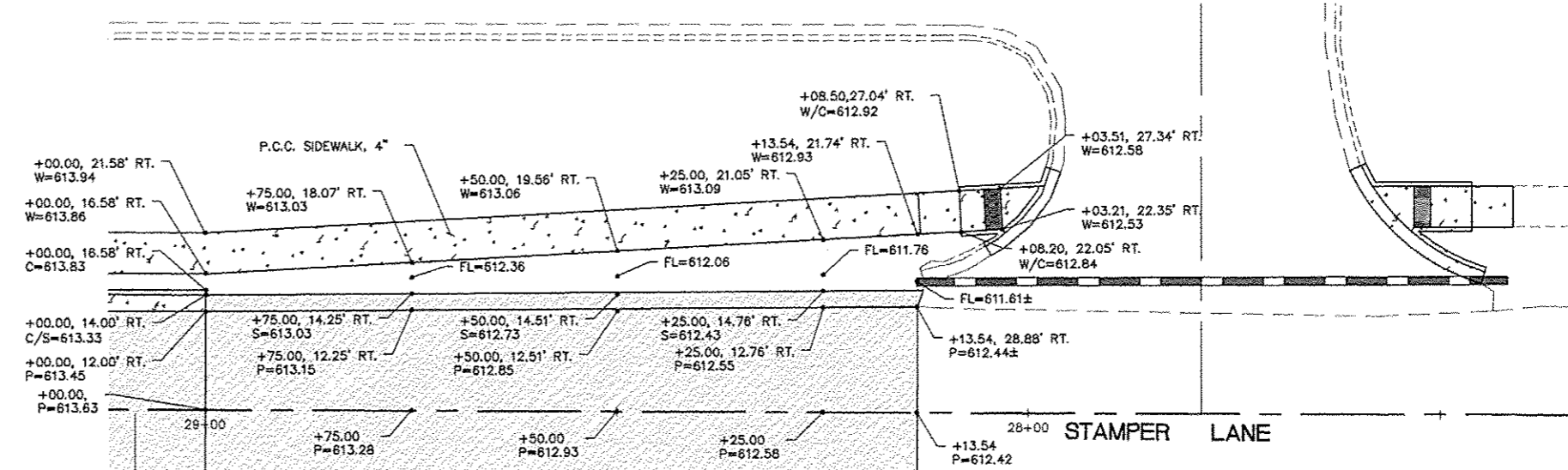


STAMPER LANE



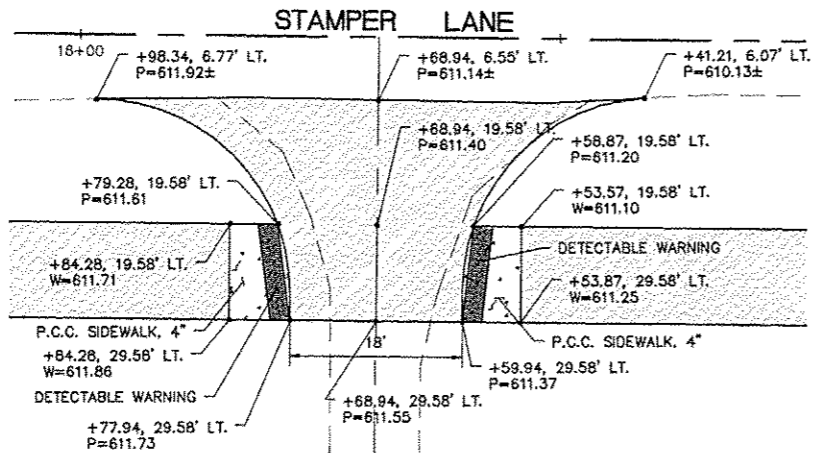
BIKE TRAIL CROSSING DETAIL #1

1"=10'



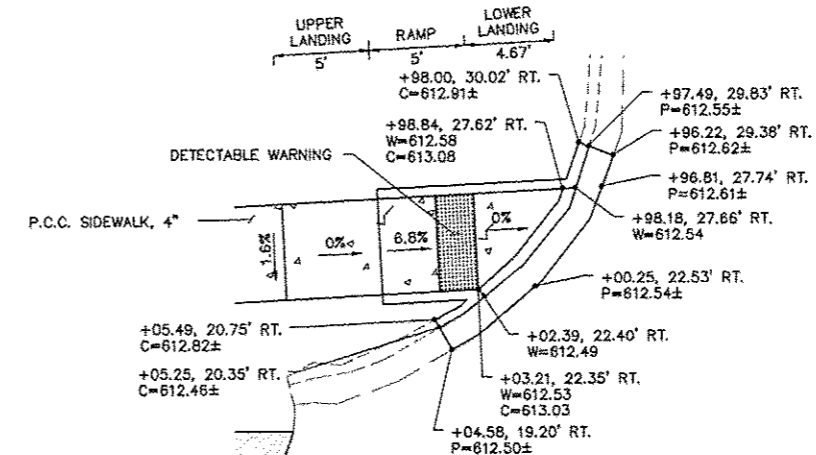
CAMELOT ENTRANCE DETAIL #1

1"=10'



BIKE TRAIL CROSSING DETAIL #2

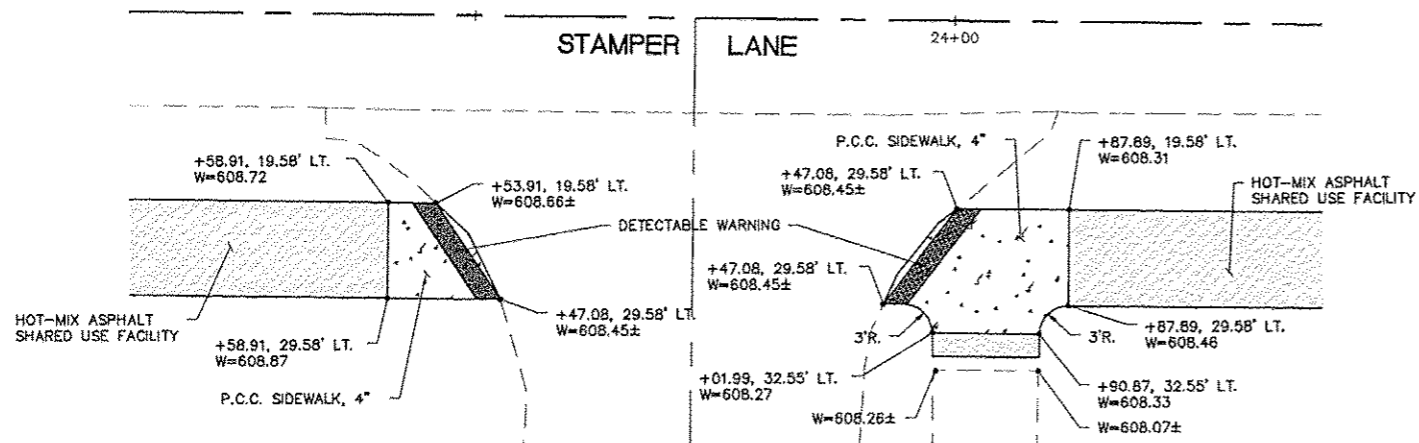
1"=10'



CAMELOT ENTRANCE DETAIL #2

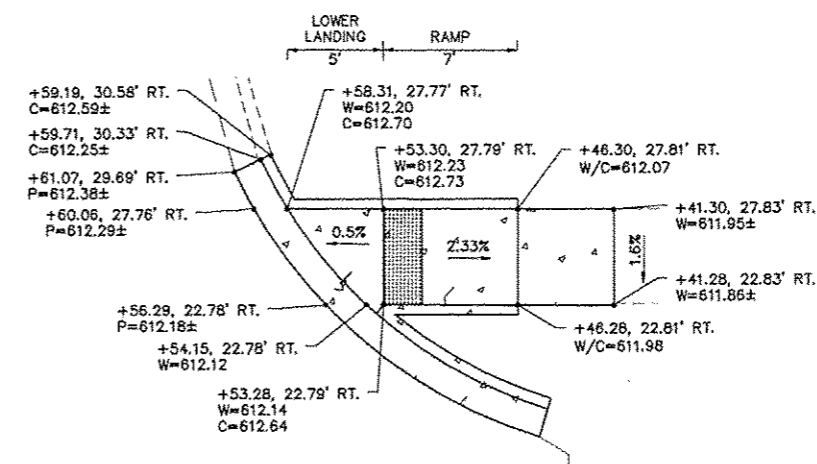
CURB RAMP NW

1"=5'



BIKE TRAIL CROSSING DETAIL #3

1"=10'



CAMELOT ENTRANCE DETAIL #3

CURB RAMP NE

1"=5'

REVISIONS

Sheppard, Morgan & Schwaab, Inc.
CONSULTING ENGINEERS AND LAND SURVEYORS

219 Market Street, P.O. Box E, Alton, IL 62002 618/462-9752 E-mail: sm&s@smgsinc.com
10 Central Industrial Drive, Suite 3, Granite City, IL 62040 618/977-5700 E-mail: realign@smgsinc.com
DESIGN FIRM # 184-000992



STAMPER LANE - GODFREY, ILLINOIS

FAU ROUTE 8950

10-00022-01-PV

10-00024-00-SW

INTERSECTION AND RAMP DETAILS

DWG. NO.	
PROJ. NO.	
REF. B/C	
JOB NO.	438439
DSN. BY:	SJW
DWN. BY:	BCS
CHK. BY:	SJW
DATE:	MARCH, 2013
SCALE:	AS SHOWN
SHEET:	15 OF 50