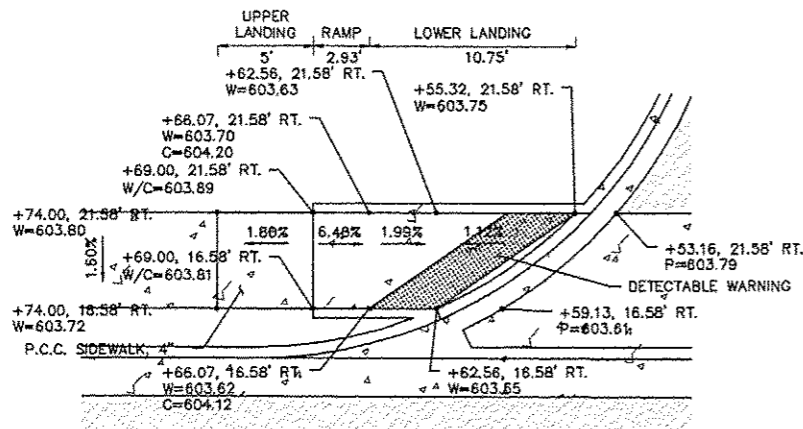
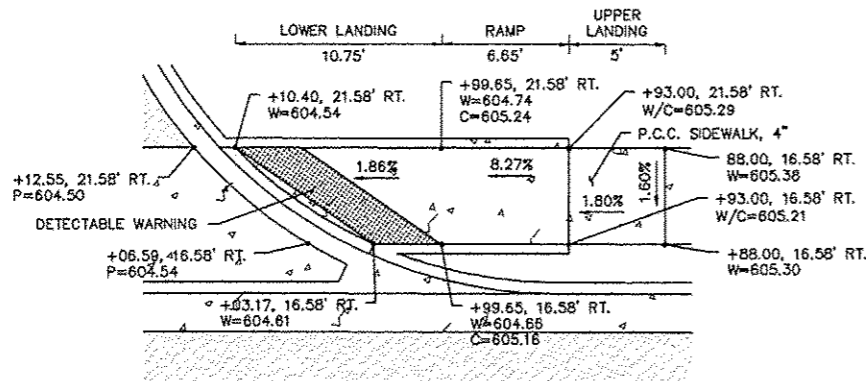


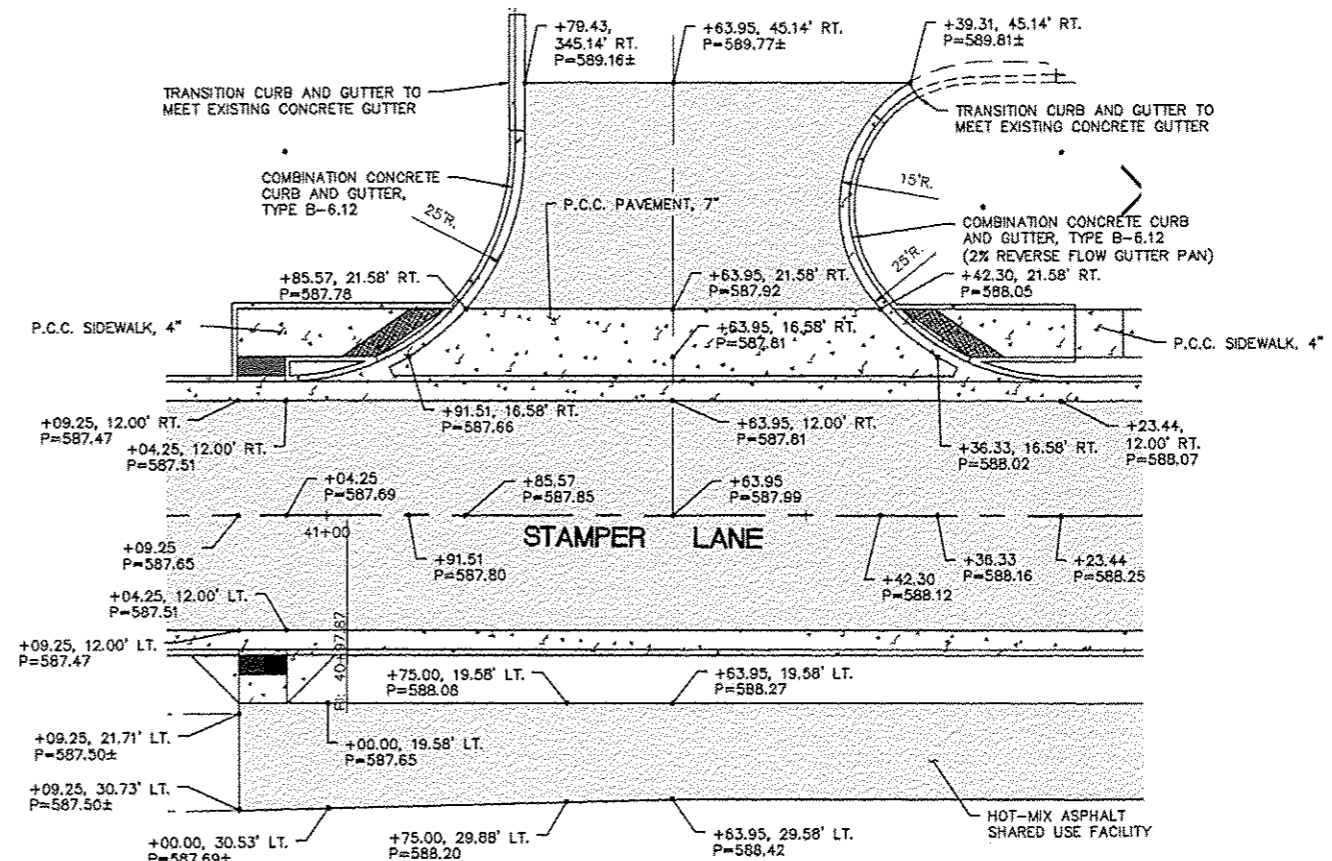
KING ARTHUR LANE ENTRANCE DETAIL #1  
1"=10'



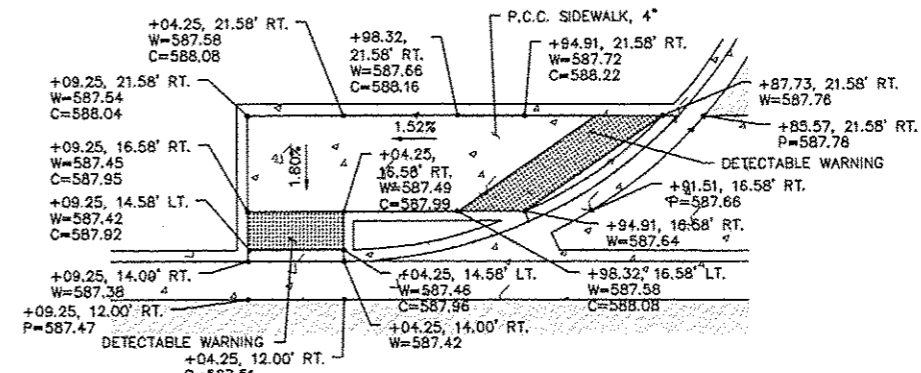
KING ARTHUR LANE ENTRANCE DETAIL #2  
CURB RAMP NW  
1"=5'



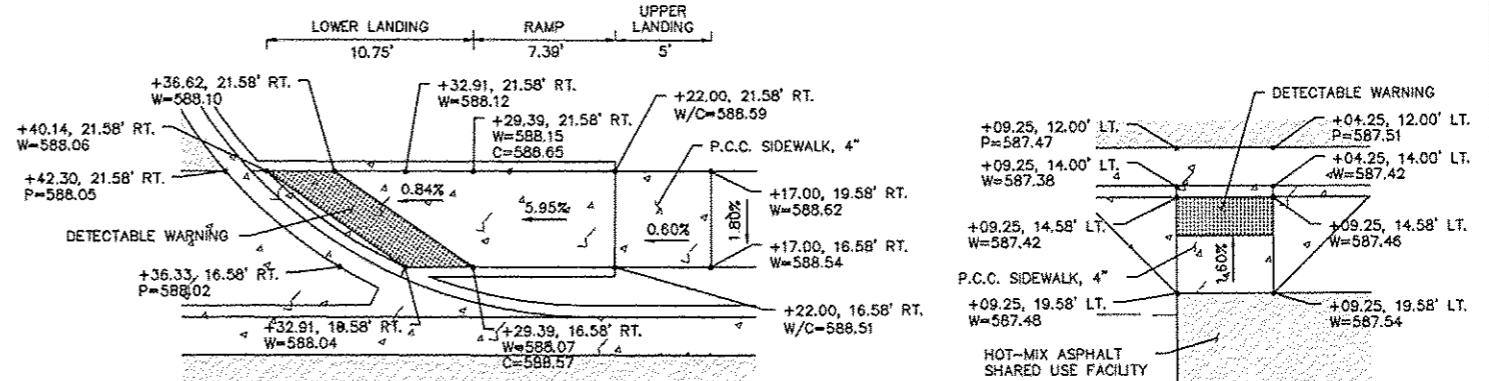
KING ARTHUR LANE ENTRANCE DETAIL #3  
CURB RAMP NE  
1"=5'



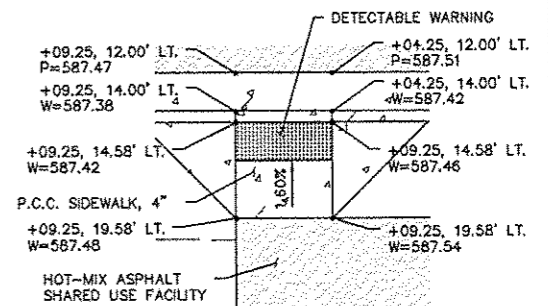
CAMELOT ENTRANCE DETAIL #4  
1"=10'



CAMELOT ENTRANCE DETAIL #5  
CURB RAMP NW  
1"=5'



CAMELOT ENTRANCE DETAIL #6  
CURB RAMP NE  
1"=5'



CAMELOT ENTRANCE DETAIL #7  
CURB RAMP SW  
1"=5'

REVISIONS

Sheppard, Morgan & Schwaab, Inc.  
CONSULTING ENGINEERS AND LAND SURVEYORS  
215 Market Street, P.O. Box E, Ann Arbor, MI 48106-0215 Email: sm@smeng.com  
10 Central Expressway, Suite 3, Grand Crag, IL 60141-9120 Email: toll@smeng.com  
DESIGN FIRM # 184-000992



STAMPER LANE - GODFREY, ILLINOIS  
FAU ROUTE 8950  
10-00022-01-PV  
10-00024-00-SW  
INTERSECTION AND RAMP DETAILS

DWG. NO.	10-00022-01-PV
DATE	MARCH, 2013
SCALE	AS SHOWN
SHEET	18 OF 50