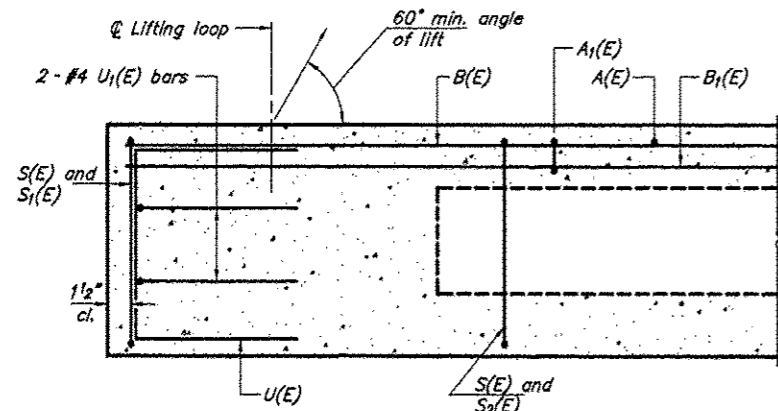
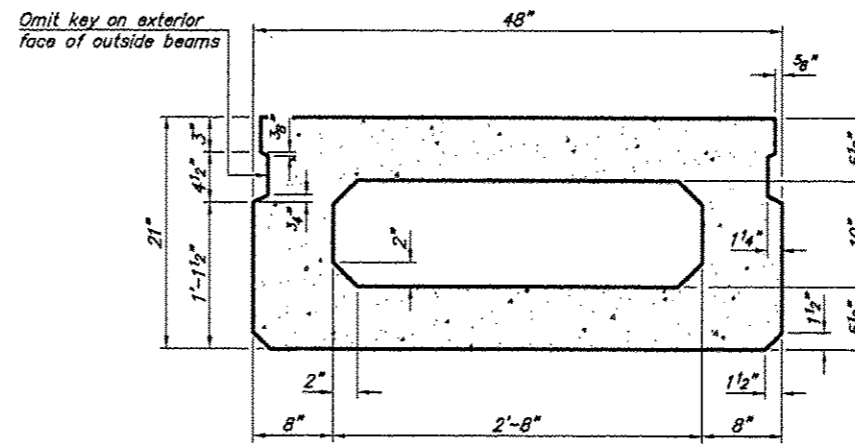


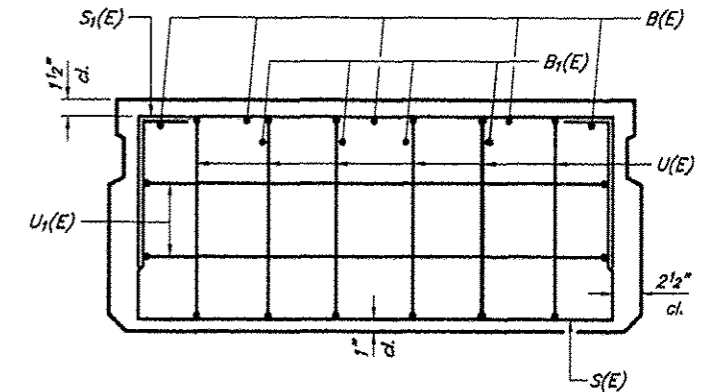
ROUTE	SECTION	COUNTY	TOTAL SHEETS	SHEET NO
TR 239	06-06117-00-BR	SALINE	14	6
PROJECT NO. BROS-165(30)			CONTRACT NO. 99488	



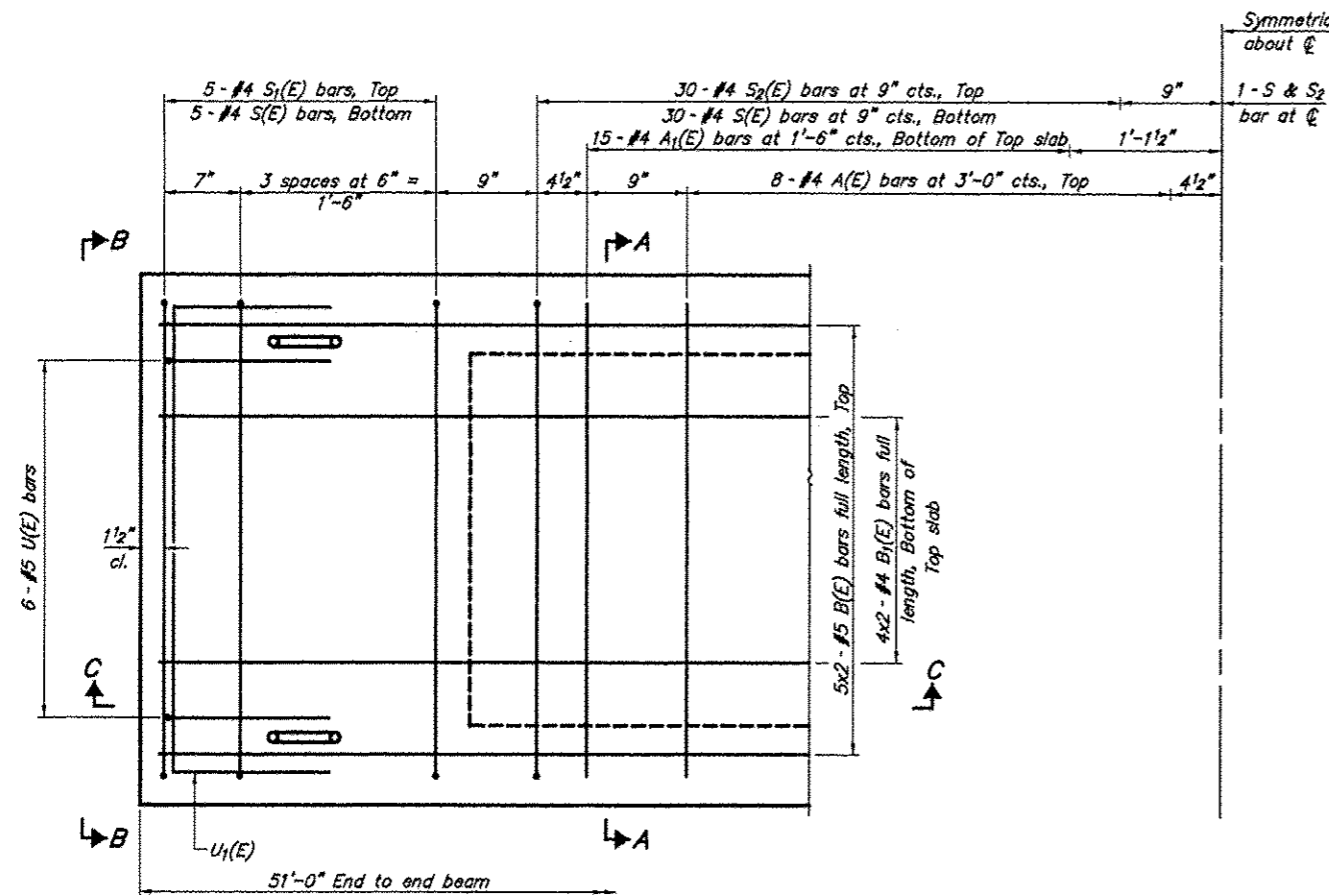
SECTION C-C



SECTION A-A
(Showing dimensions)



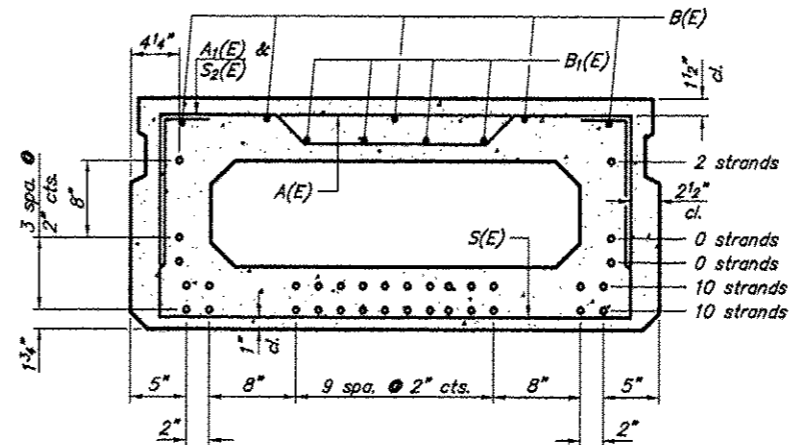
VIEW B-B



PLAN VIEW

Note: Spacing of S(E) and S2(E) bars may be adjusted up to 4\"/>

Symmetrical about ϕ



SECTION A-A

(Showing reinforcement and permissible strand locations)

Note: Place the number of strands specified in each row symmetrically about the centerline of beam in the permissible strand locations shown.

BAR LIST

ONE BEAM ONLY

(For information only)

Bar	No.	Size	Length	Shape
A(E)	16	#4	3'-7"	—
A1(E)	30	#4	3'-10"	—
B(E)	10	#5	26'-5"	—
B1(E)	8	#4	26'-2"	—
S(E)	71	#4	7'-5"	□
S1(E)	10	#4	5'-11"	□
S2(E)	61	#4	6'-2"	□
U(E)	12	#5	4'-0"	□
U1(E)	4	#4	6'-0"	□

Bar Laps #4 bars = 1'-8"
#5 bars = 2'-2"

21" X 48" PPC DECK BEAM
TOWNSHIP ROUTE 239 (BRIER CREEK ROAD)
BRIER CREEK
SECTION 06-06117-00-BR
SALINE COUNTY
STRUCTURE NO. 083-3237