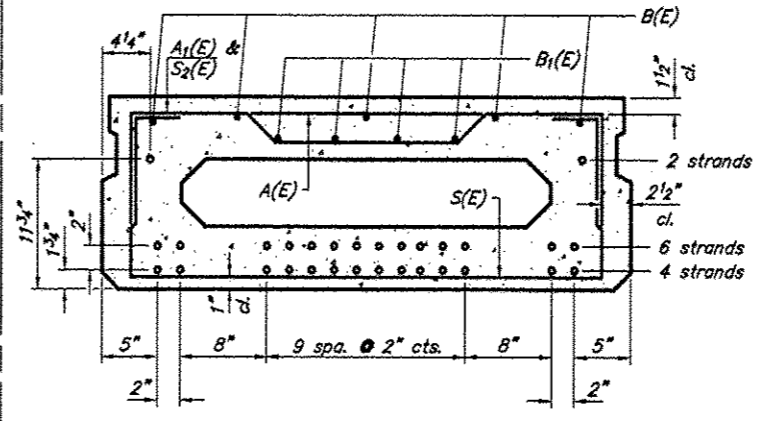
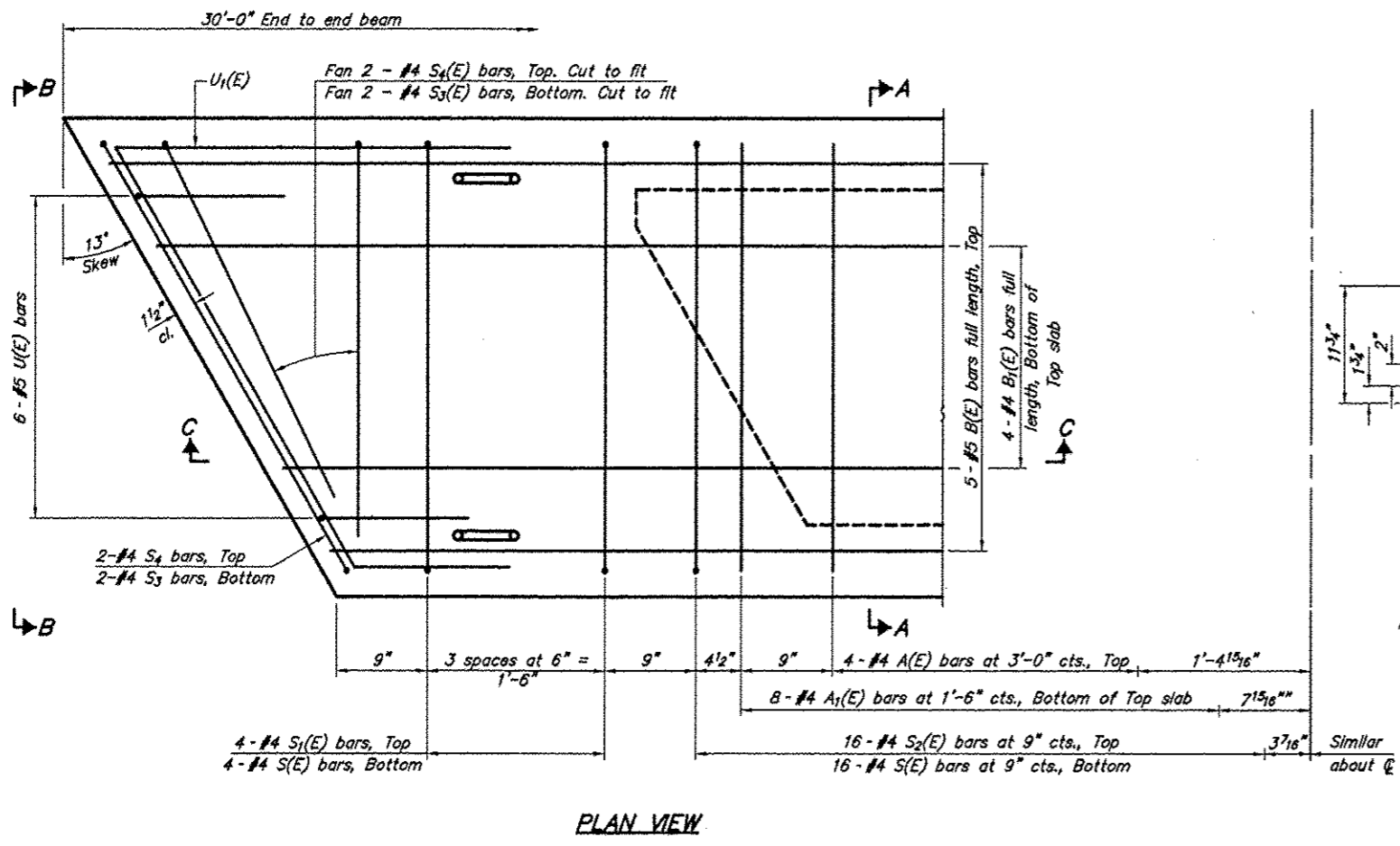
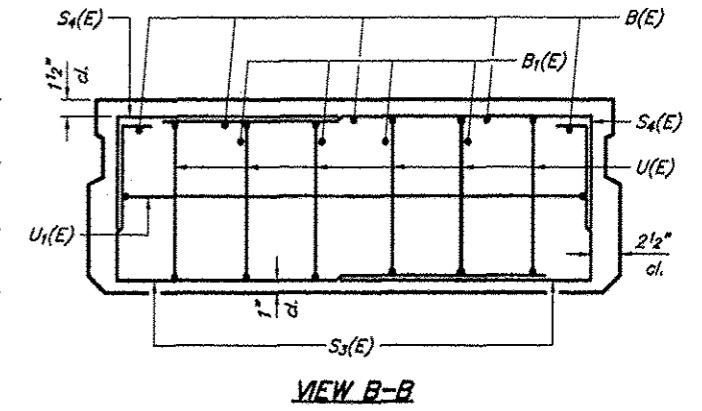
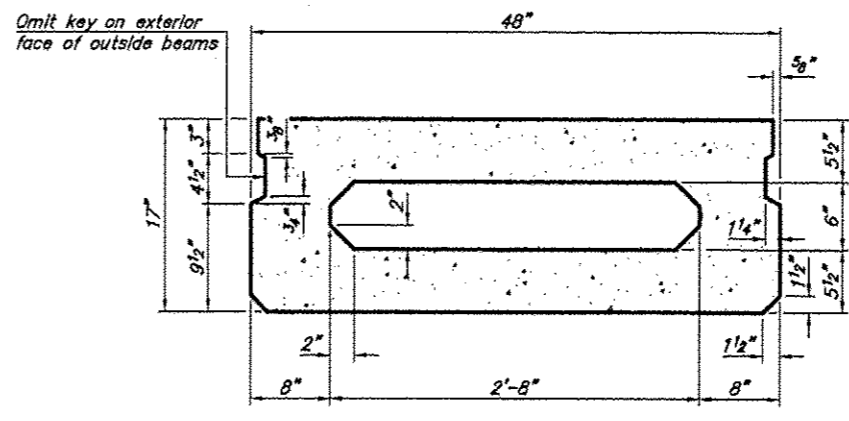
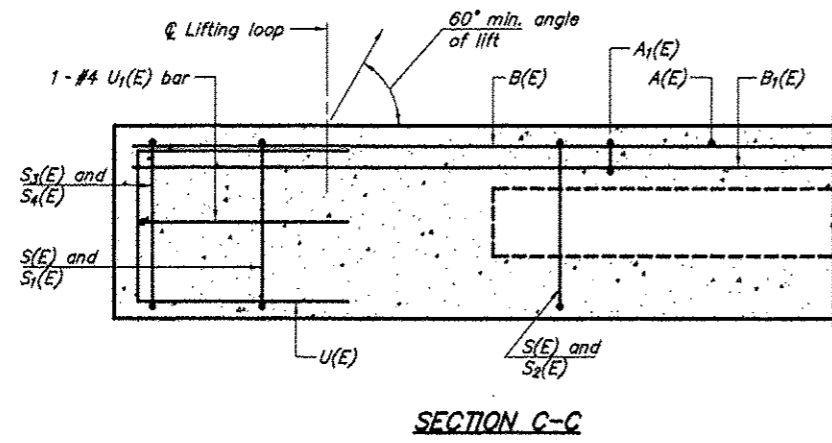


|                          |                |        |                    |          |
|--------------------------|----------------|--------|--------------------|----------|
| ROUTE                    | SECTION        | COUNTY | TOTAL SHEETS       | SHEET NO |
| TR 164                   | 10-06119-00-BR | SALINE | 13                 | 8        |
| PROJECT NO. BROS-165(38) |                |        | CONTRACT NO. 99489 |          |



Note: Place the number of strands specified in each row symmetrically about the centerline of beam in the permissible strand locations shown.

**BAR LIST**  
**ONE BEAM ONLY**  
(For information only)

| Bar   | No. | Size | Length | Shape |
|-------|-----|------|--------|-------|
| A(E)  | 8   | #4   | 3'-7"  | —     |
| A1(E) | 16  | #4   | 3'-10" | —     |
| B(E)  | 5   | #5   | 29'-8" | —     |
| B1(E) | 4   | #4   | 29'-8" | —     |
| S(E)  | 40  | #4   | 6'-9"  | □     |
| S1(E) | 8   | #4   | 5'-3"  | □     |
| S2(E) | 32  | #4   | 5'-6"  | □     |
| S3(E) | 8   | #4   | 4'-4"  | □     |
| S4(E) | 8   | #4   | 3'-7"  | □     |
| U(E)  | 12  | #5   | 3'-8"  | □     |
| U1(E) | 2   | #4   | 6'-11" | □     |

Note: Spacing of S(E) and S2(E) bars may be adjusted up to 4" in the immediate area of the transverse tie diaphragms to miss the block outs for the transverse ties.

17" X 48" PPC DECK BEAM  
TOWNSHIP ROUTE 164 (BUTLER ROAD)  
BRIER CREEK  
SECTION 10-06119-00-BR  
SALINE COUNTY  
STRUCTURE NO. 083-3241