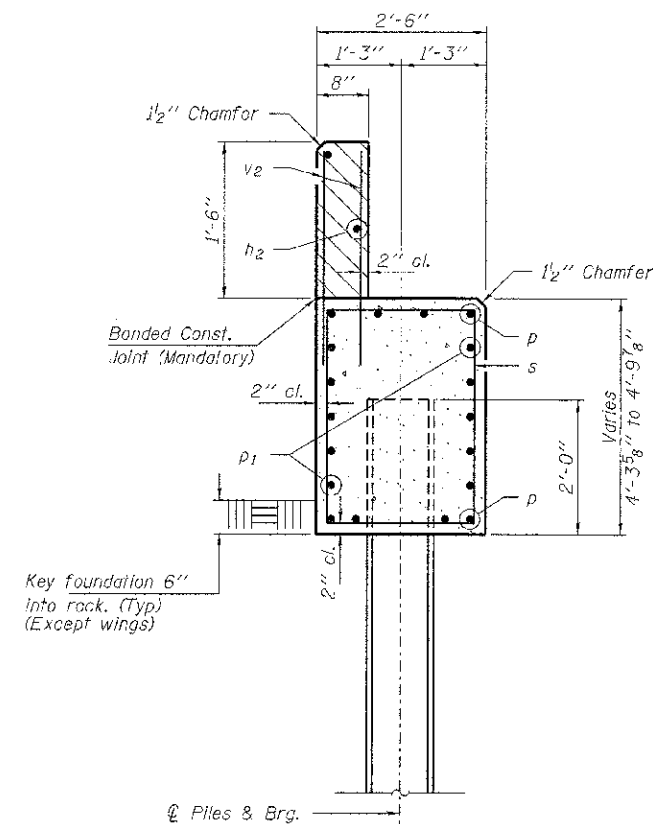
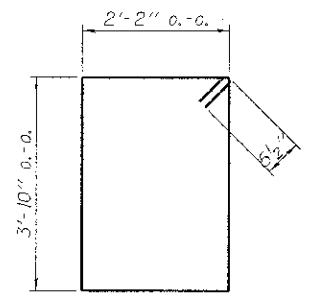


**PLAN**

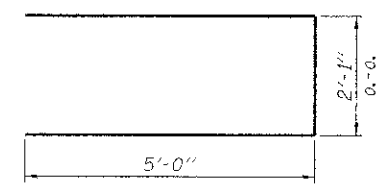


**SECTION A-A**

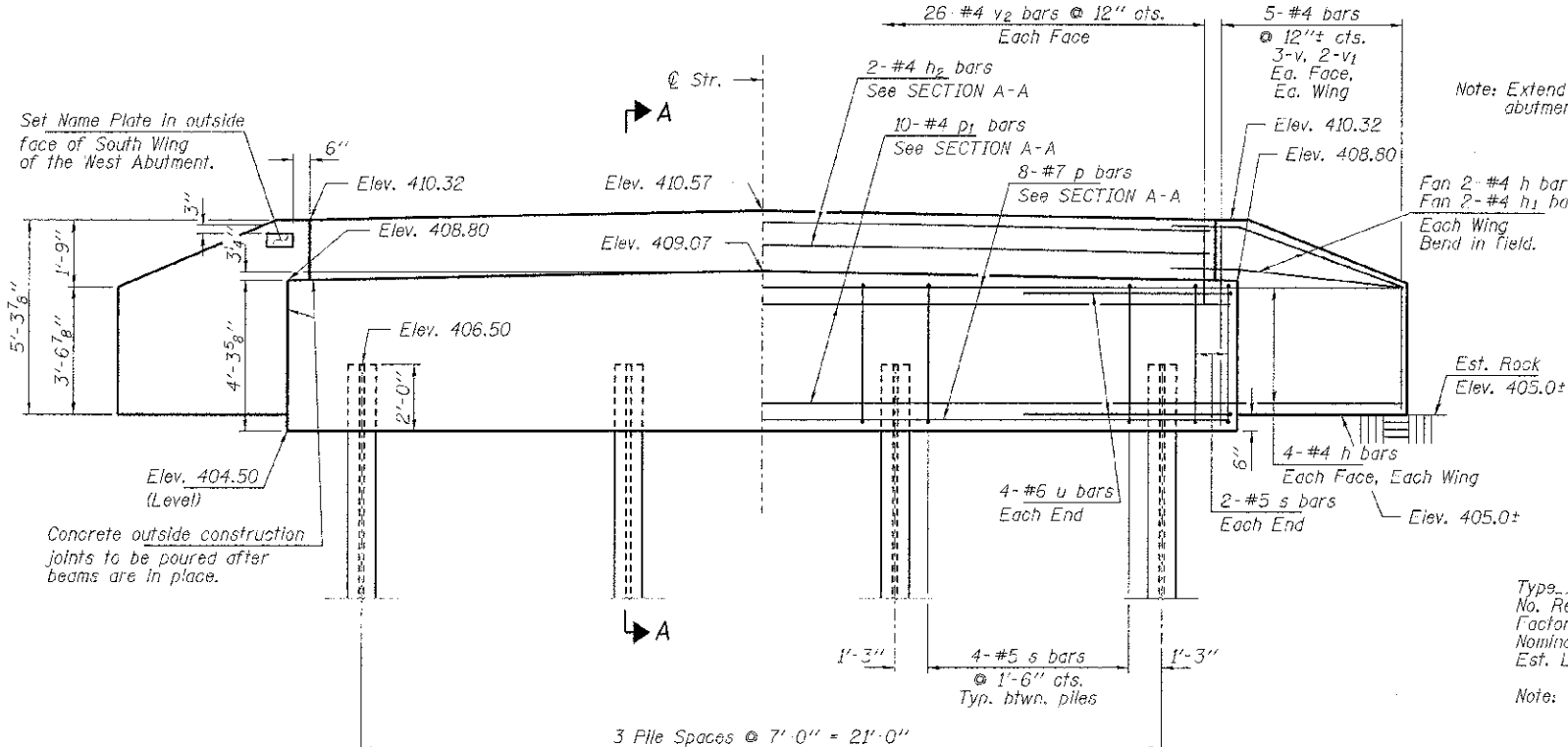
Hatched area to be poured after beams are in place.



**BAR s**



**BAR u**



**ELEVATION**  
(Looking West)

Note: Extend h bars into abutment cap.

Fan 2-#4 h bars (D.F.)  
Fan 2-#4 h1 bars (F.F.)  
Each Wing  
Bend in field.

Est. Rock  
Elev. 405.0±

**PILE DATA**

Type: Steel HP8x36  
No. Req'd. (1 Abut.) 4  
Factored Resistance Available (Rf) 157 Kips/Pile  
Nominal Required Bearing (Rn) 286 Kips/Pile  
Est. Length 15 ft/Pile

Note: Steel piles shall be constructed at the West Abutment only if determined by the Engineer to be required for capacity. The top of limestone elevation may vary greatly or be a false surface. In this case, the pile foundation will be constructed as directed by the Engineer. If adequate capacity is determined at the rock surface no piling is required.

**BILL OF MATERIAL - W. ABUT.**

BAR	NO.	SIZE	LENGTH	SHAPE
h	20	#4	5'-6"	—
h1	4	#4	4'-0"	—
h2	2	#4	25'-2"	—
p	8	#7	25'-2"	—
p1	10	#4	25'-2"	—
s	16	#5	12'-6"	□
u	8	#6	12'-11"	—
v	12	#4	4'-9"	—
v1	8	#4	3'-3"	—
v2	52	#4	2'-4"	—
Rock Excavation			Cu. Yd.	1.2
Concrete Structures			Cu. Yd.	12.8
Reinforcement Bars			Found	1,190
Steel Piles HP8x36			Foot	60
Name Plates			Each	1