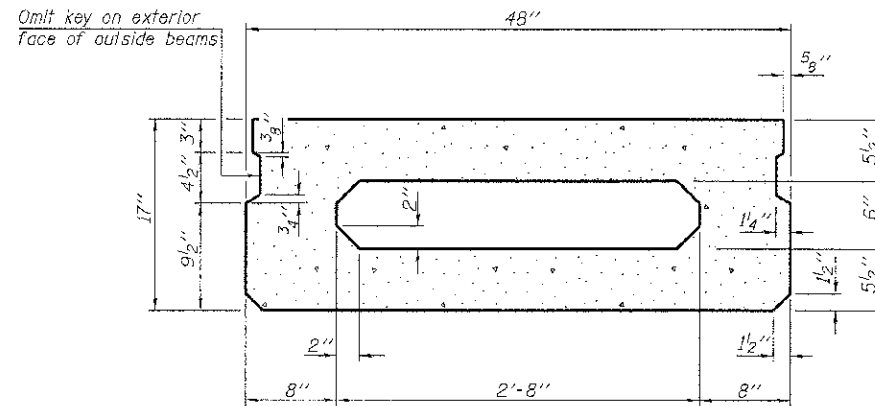
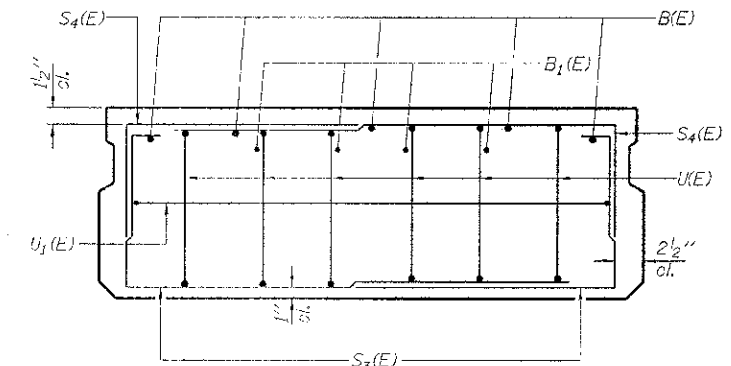


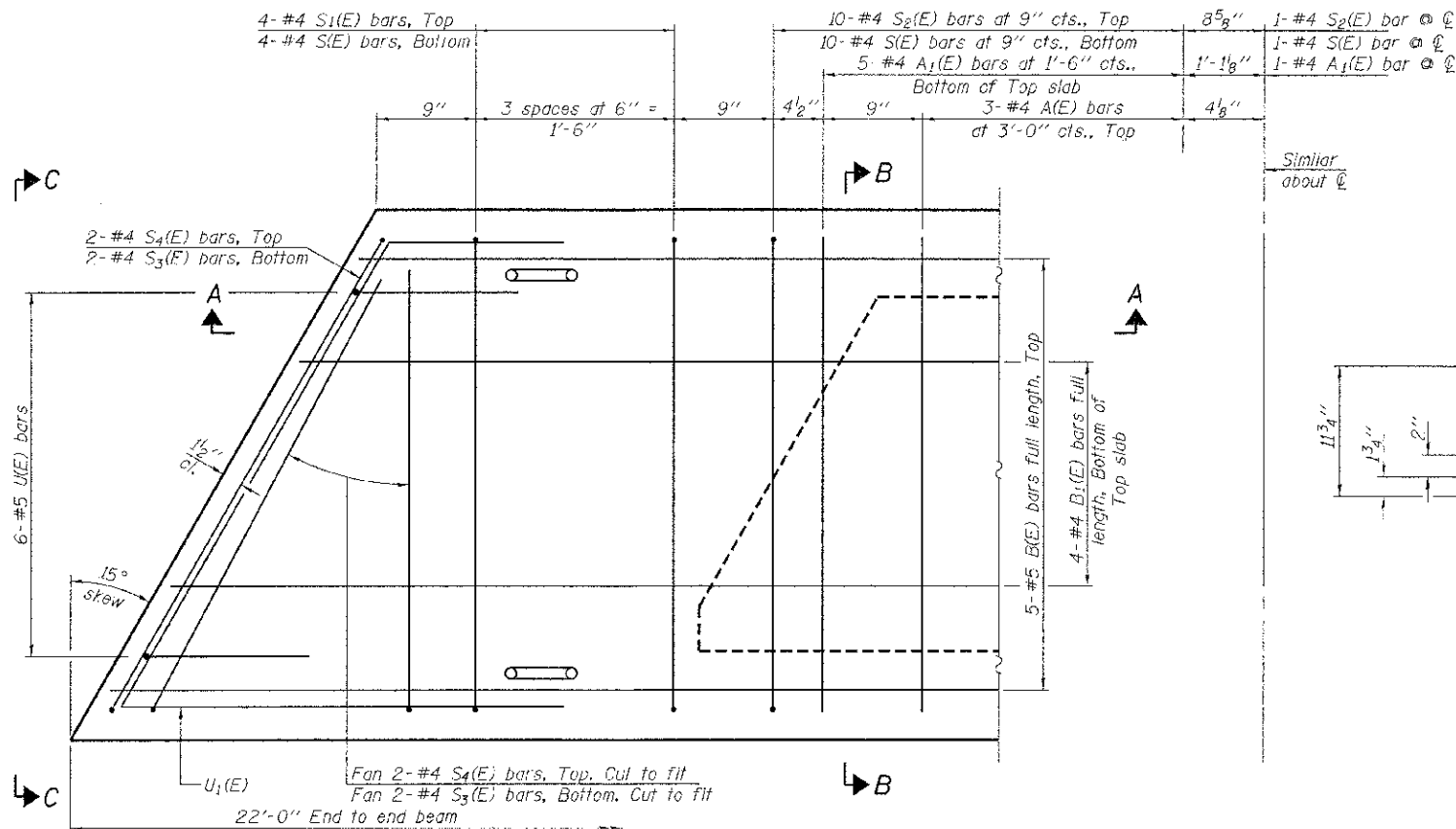
SECTION A-A



SECTION B-B
(Showing dimensions)

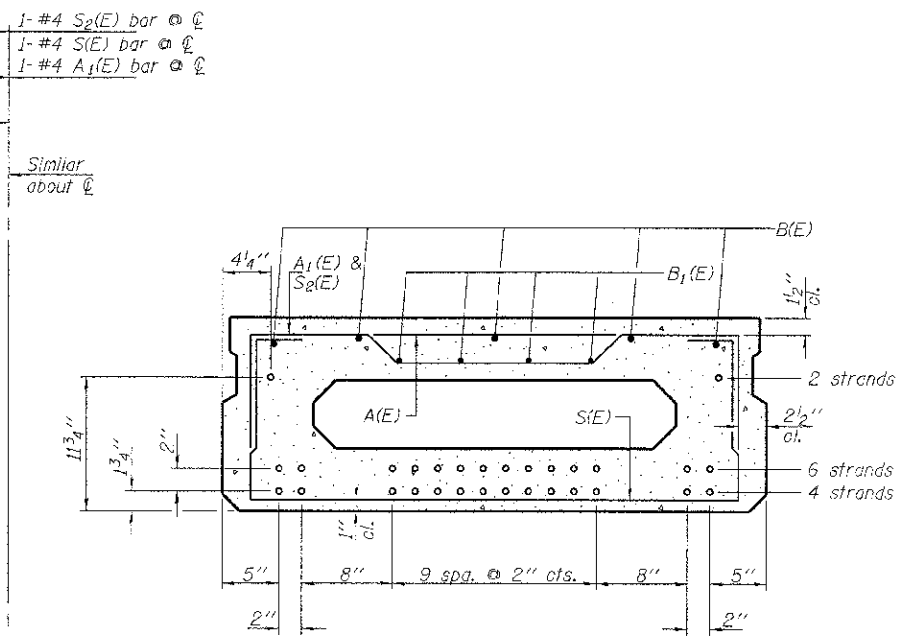


VIEW C-C



PLAN VIEW

Note: Spacing of S(E) and S2(E) bars may be adjusted up to 4" in the immediate area of the transverse tie diaphragms to miss the block outs for the transverse ties.



SECTION B-B

(Showing reinforcement and permissible strand locations)

Note: Place the number of strands specified in each row symmetrically about the centerline of beam in the permissible strand locations shown.

BAR LIST
ONE BEAM ONLY
(For information only)

Bar	No.	Size	Length	Shape
A(E)	6	#4	3'-7"	—
A1(E)	11	#4	3'-10"	—
B(E)	5	#5	21'-9"	—
B1(E)	4	#4	21'-9"	—
S(E)	29	#4	6'-9"	U
S1(E)	8	#4	5'-3"	U
S2(E)	21	#4	5'-6"	U
S3(E)	6	#4	4'-4"	U
S4(E)	8	#4	3'-7"	U
U(E)	12	#5	3'-8"	C
U1(E)	2	#4	7'-1"	C

Note: See sheets 3 & 7 of 11 for additional details and Bill of Material.

MINIMUM BAR LAP

#4 bar = 2'-0"
#5 bar = 2'-6"

PD-1748-L

7-1-10

FILE NAME = 120135-abt-bri-dgn.dgn	USER NAME =	DESIGNED - L.A.P.	REVISED -
HAMPTON, LENZINI AND RENWICK, INC.		CHECKED - S.W.M.	REVISED -
200 E. EVERSHOPE DRIVE, SUITE 307 SPRINGFIELD, ILLINOIS 62703		DRAWN - D.A.B.	REVISED -
ILLINOIS PROFESSIONAL DESIGN FIRM LS / PE / SE / COM - 100-000000	PLOT DATE = 2/14/2013	CHECKED - S.W.M.	REVISED -

STATE OF ILLINOIS
JEFFERSON COUNTY HIGHWAY DEPARTMENT

17" x 48" PPC DECK BEAM - SPANS 1 & 3
STRUCTURE NO. 041-3749

SHEET NO. 2 OF 11 SHEETS

T.R.	SECTION	COUNTY	TOTAL SHEETS	SHEET NO.
123	09-07106-00-BR	JEFFERSON	23	14
FIELD ROAD DISTRICT		CONTRACT NO. 99504		
ILLINOIS		FED. AID PROJECT BROS-0081062		