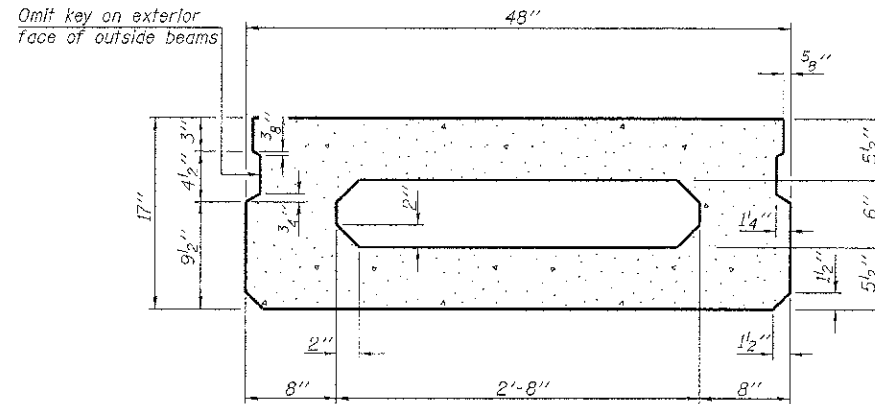
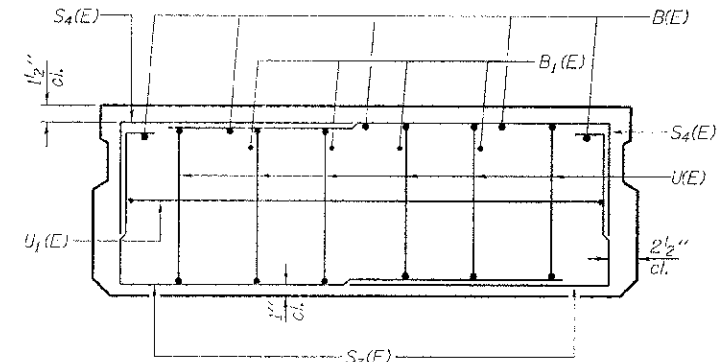


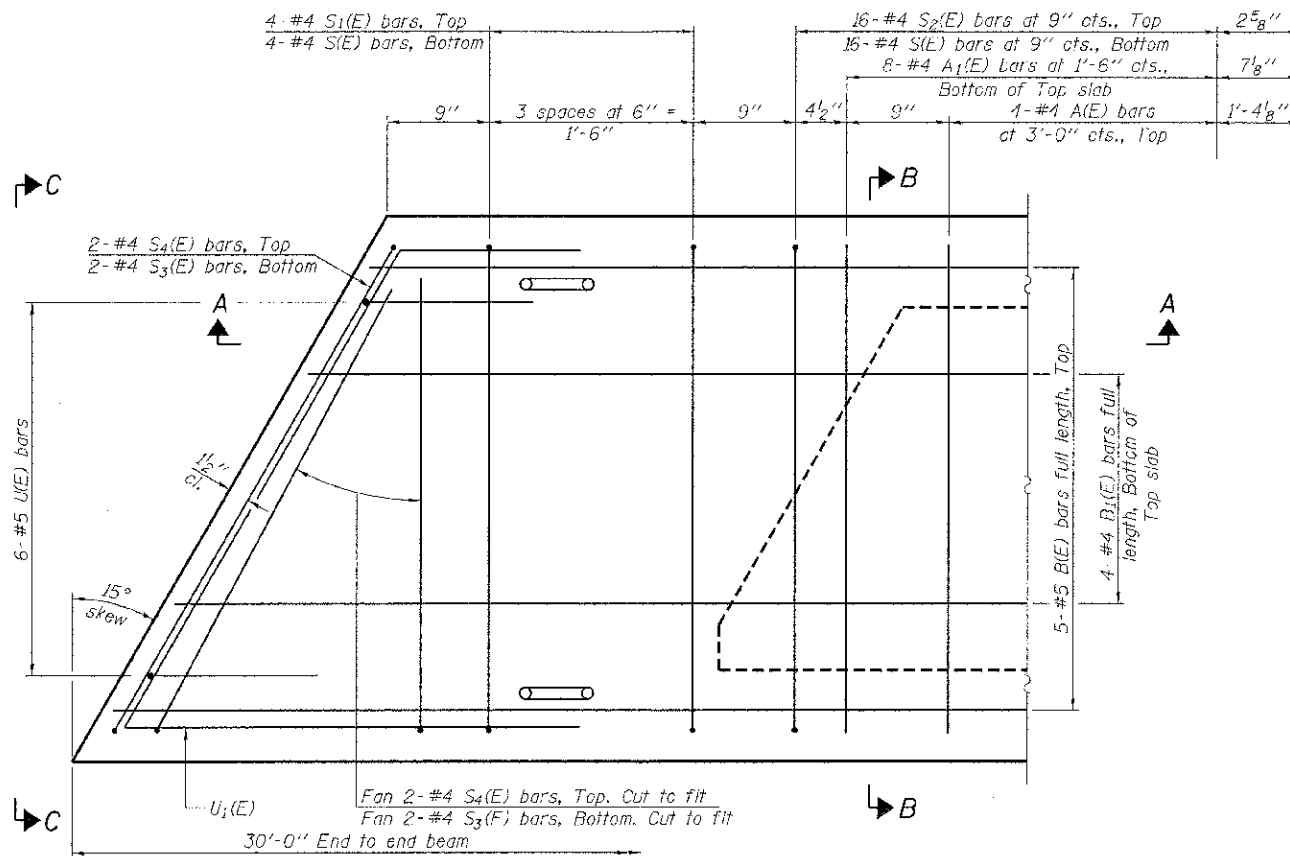
SECTION A-A



SECTION B-B
(Showing dimensions)



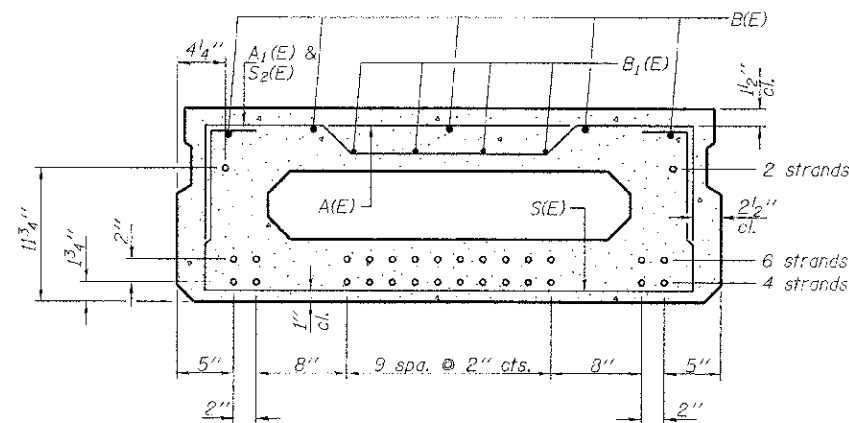
VIEW C-C



PLAN VIEW

Note: Spacing of S(E) and S2(E) bars may be adjusted up to 4" in the immediate area of the transverse tie diaphragms to miss the block outs for the transverse ties.

Similar about C-C



SECTION B-B

(Showing reinforcement and permissible strand locations)
Note: Place the number of strands specified in each row symmetrically about the centerline of beam in the permissible strand locations shown.

BAR LIST
ONE BEAM ONLY
(For information only)

Bar	No.	Size	Length	Shape
A(E)	8	#4	3'-7"	—
A1(E)	16	#4	3'-10"	—
B(E)	5	#5	29'-9"	—
B1(E)	4	#4	29'-9"	—
S(E)	40	#4	6'-9"	U
S1(E)	8	#4	5'-3"	U
S2(E)	32	#4	5'-6"	U
S3(E)	8	#4	4'-4"	U
S4(E)	5	#4	3'-7"	U
U(E)	12	#5	3'-8"	C
U1(E)	2	#4	7'-1"	C

Note: See sheets 5 & 7 of 11 for additional details and Bill of Material.

MINIMUM BAR LAP

#4 bar = 2'-0"
#5 bar = 2'-5"

PD-1748-L 7-1-10

FILE NAME = 128135-shr-bridge.dgn	USER NAME =	DESIGNED - L.A.P.	REVISED -
HAMPTON, LENZINI AND RENWICK, INC. 3083 STEVENSON DRIVE, SUITE 201 SPRINGFIELD, ILLINOIS 62760	PLLOT SCALE =	CHECKED - S.W.M.	REVISED -
ILLINOIS PROFESSIONAL DESIGN FIRM L.S./P.E./S.E. CORP. TEL: 625-8888	PLLOT DATE = 2/14/2013	DRAWN - D.A.B.	REVISED -
		CHECKED - S.W.M.	REVISED -

STATE OF ILLINOIS
JEFFERSON COUNTY HIGHWAY DEPARTMENT

17" x 48" PPC DECK BEAM - SPAN 2
STRUCTURE NO. 041-3749

T.R.	SECTION	COUNTY	TOTAL SHEETS	SHEET NO.
123	09-07105-00-BR	JEFFERSON	23	16
FIELD ROAD DISTRICT		CONTRACT NO. 99504		
ILLINOIS FED. AID PROJECT BR05-0081062D				

SHEET NO. 4 OF 11 SHEETS