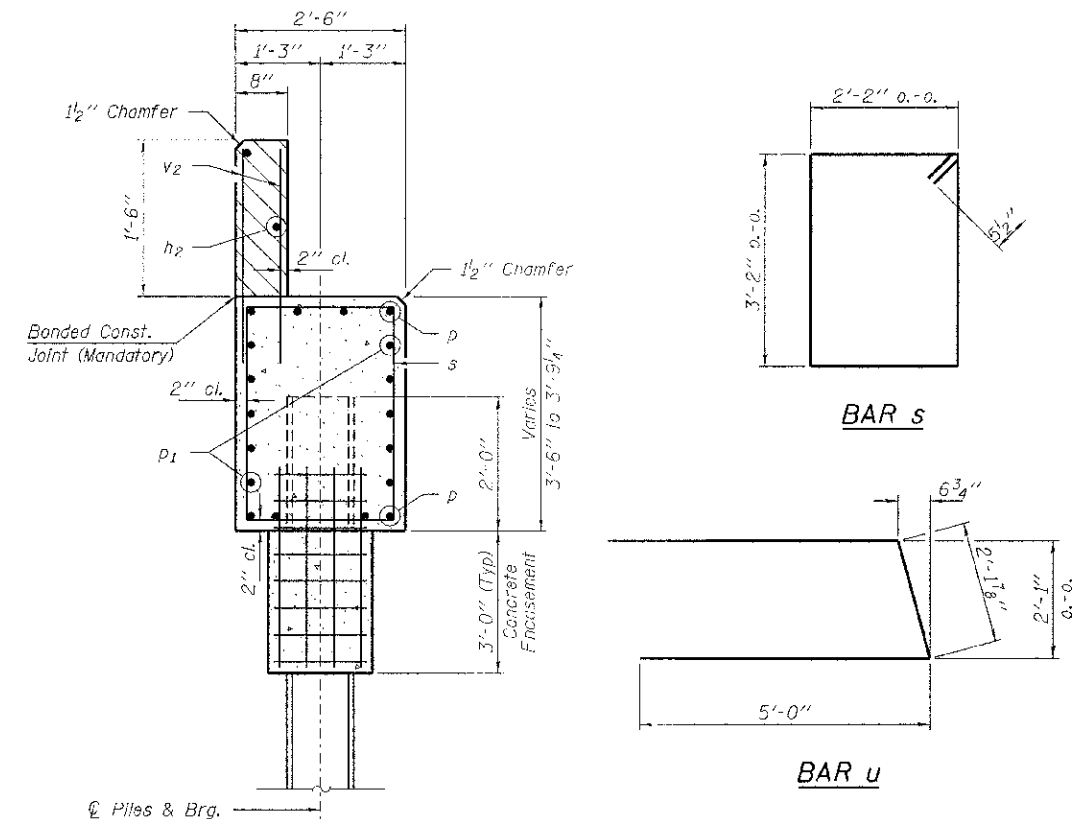
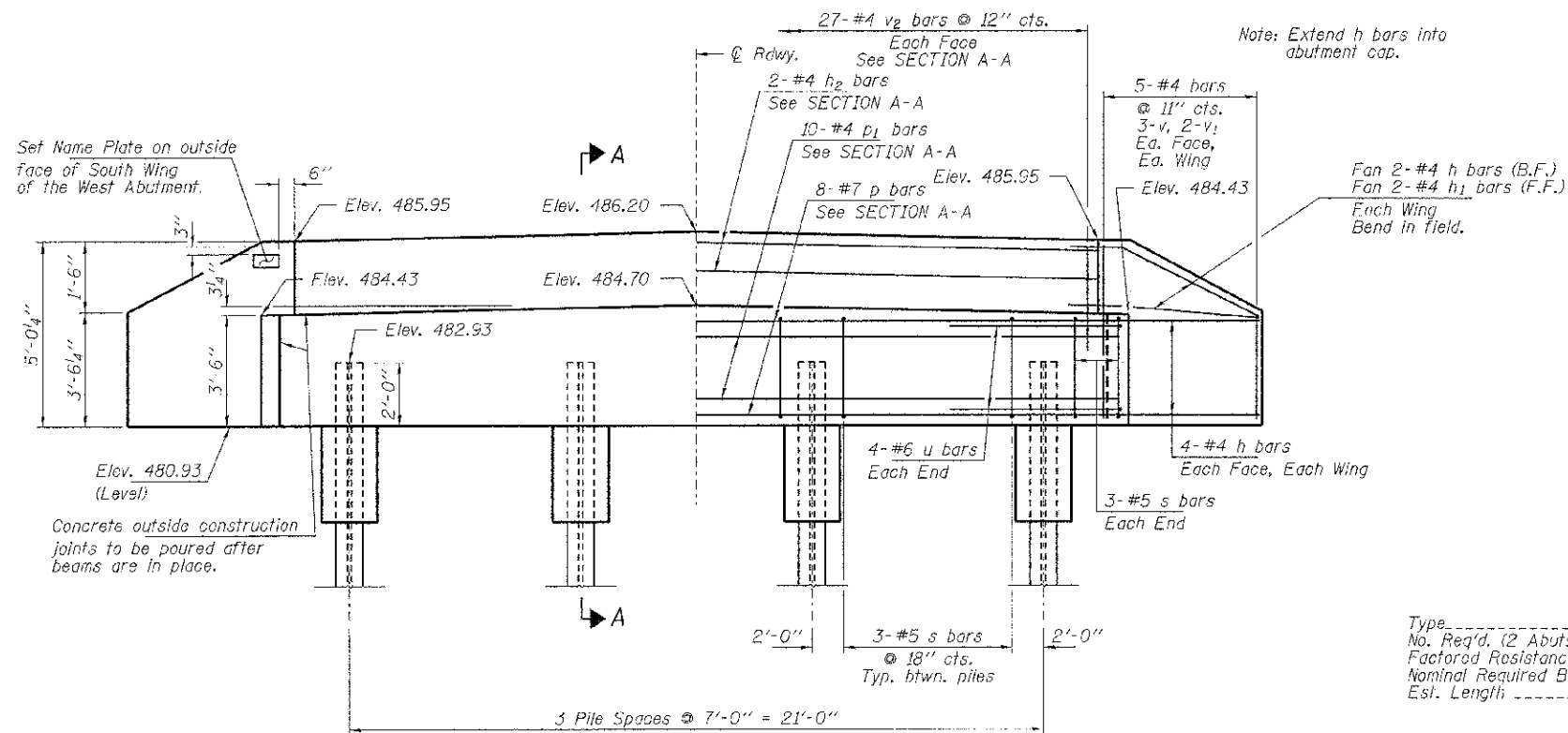


PLAN



SECTION A-A

Hatched area to be poured after beams are in place.



ELEVATION

BILL OF MATERIAL - 2 ABUTS.

BAR	NO.	SIZE	LENGTH	SHAPE
h	40	#4	5'-3"	—
h1	8	#4	3'-9"	—
h2	4	#4	26'-1"	—
p	16	#7	26'-1"	—
p1	20	#4	26'-1"	—
s	30	#5	11'-7"	□
u	16	#6	12'-2"	—
v	24	#4	4'-2"	—
v1	16	#4	3'-3"	—
v2	108	#4	2'-4"	—
Concrete Structures			Cu. Yd.	22.0
Concrete Encasement			Cu. Yd.	2.8
Reinforcement Bars			Pound	2,360
Steel Piles HP10x42			Foot	360
Name Plates			Each	1

PILE DATA

Type: Steel HP10x42
 No. Req'd. (2 Abuts.): 8
 Factored Resistance Available (Rf): 91 Kips/Pile
 Nominal Required Bearing (Rn): 166 Kips/Pile
 Est. Length: 45 Ft./Pile