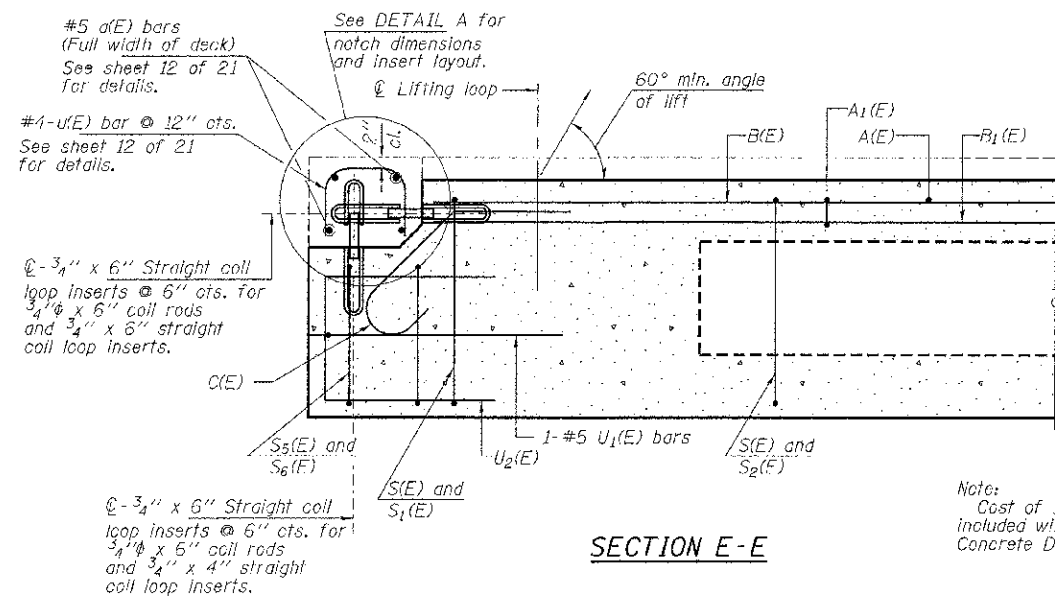
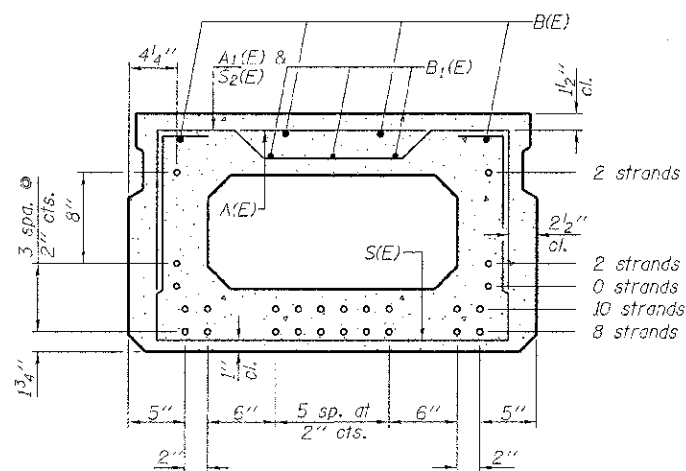


SECTION A-A



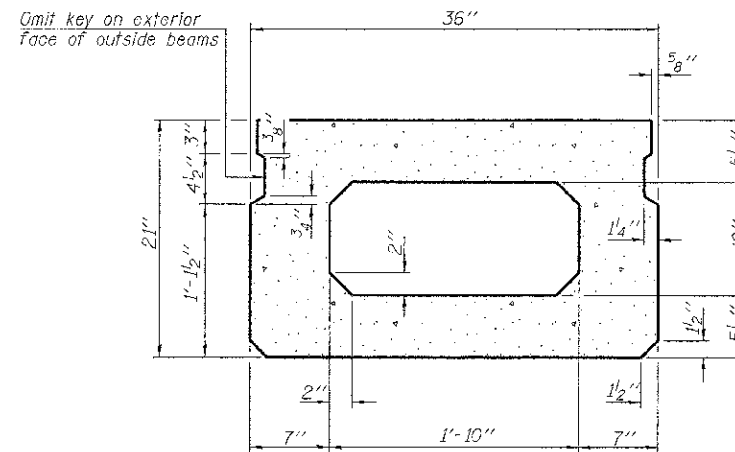
SECTION E-E



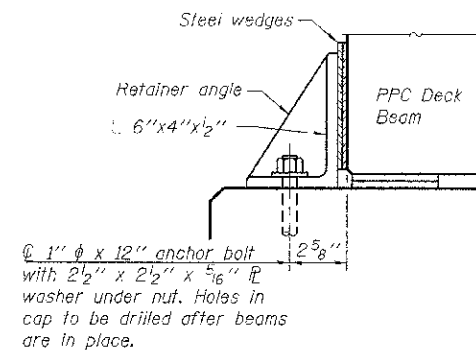
SECTION B-B

(Showing reinforcement and permissible strand locations)

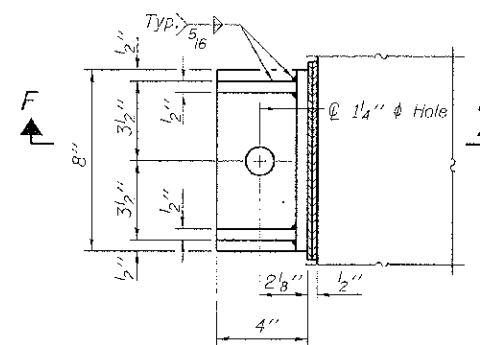
Note: Place the number of strands specified in each row symmetrically about the centerline of beam in the permissible strand locations shown.



SECTION B-B  
(Showing dimensions)

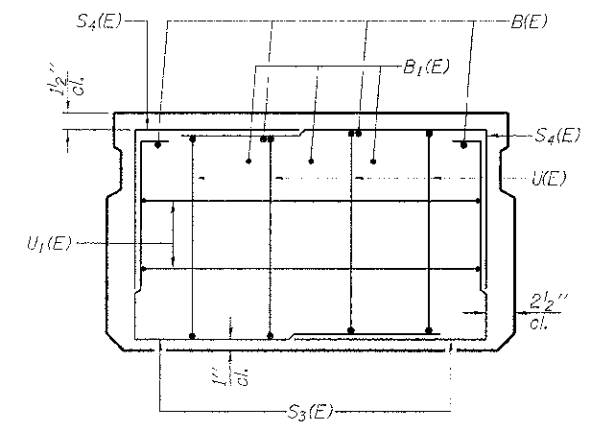


SECTION F-F

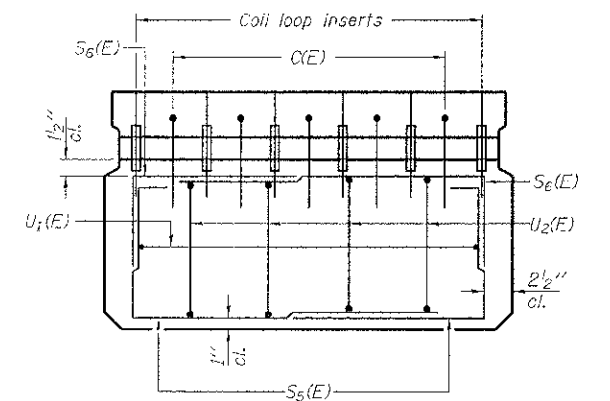


PLAN

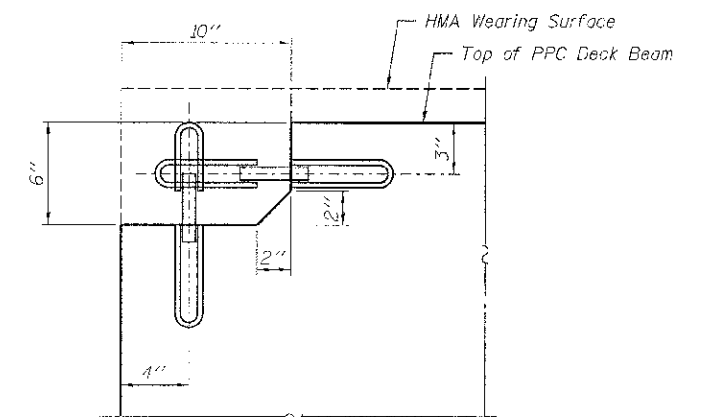
Notes:  
 Cost of retainer, anchor bolt, and accessories are included with Precast Prestressed Concrete Deck Beams (21" Depth).  
 Equivalent rolled angle with stiffeners will be allowed in lieu of welded plates.  
 The side retainers shall be galvanized after shop fabrication according to AASHTO M 111 and ASTM 385.  
 Anchor bolts and plate washers shall be galvanized according to AASHTO M 232.  
 After the notch or concrete overlay are poured and cured, the steel wedges shall be removed.



VIEW C-C



VIEW D-D



DETAIL A

PD-2136-R

7-1-10

FILE NAME = 120127-ehtr-bridge.dgn	USER NAME =	DESIGNED - D.W.T.	REVISED -	<b>STATE OF ILLINOIS DEPARTMENT OF TRANSPORTATION</b>	<b>21" x 36" PPC DECK BEAM - SPANS 1 &amp; 5 STRUCTURE NO. 039-3097</b>	C.P.	SECTION	COUNTY	TOTAL SHEETS	SHEET NO.
HAMPTON, LENZINI AND RENWICK, INC. 302 STEPHENSON DRIVE, SUITE 101 SPRINGFIELD, ILLINOIS 62703	PLOT SCALE =	CHECKED - S.W.M.	REVISED -			11	06-00145-00-BR	JACKSON	54	37
CLINCH PROFESSIONAL DESIGN FIRM 12176 138 CORN. - HAMPSHIRE	PLOT DATE = 4/19/2013	DRAWN - D.A.B.	REVISED -			DILLINGER ROAD		CONTRACT NO. 99509		
		CHECKED - S.W.M.	REVISED -			ILLINOIS FED. AID PROJECT				

SHEET NO. 4 OF 21 SHEETS