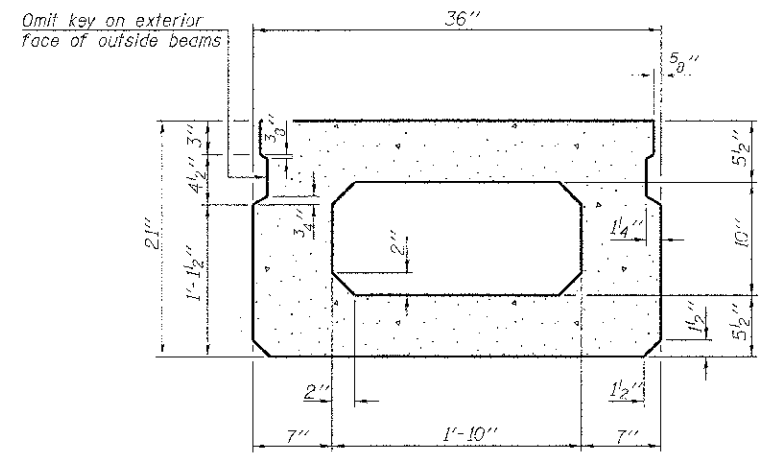
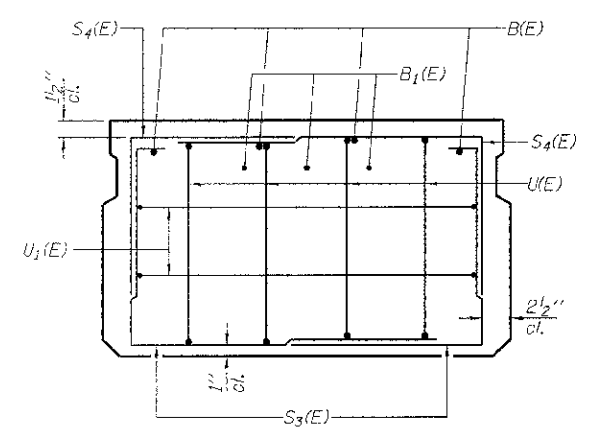


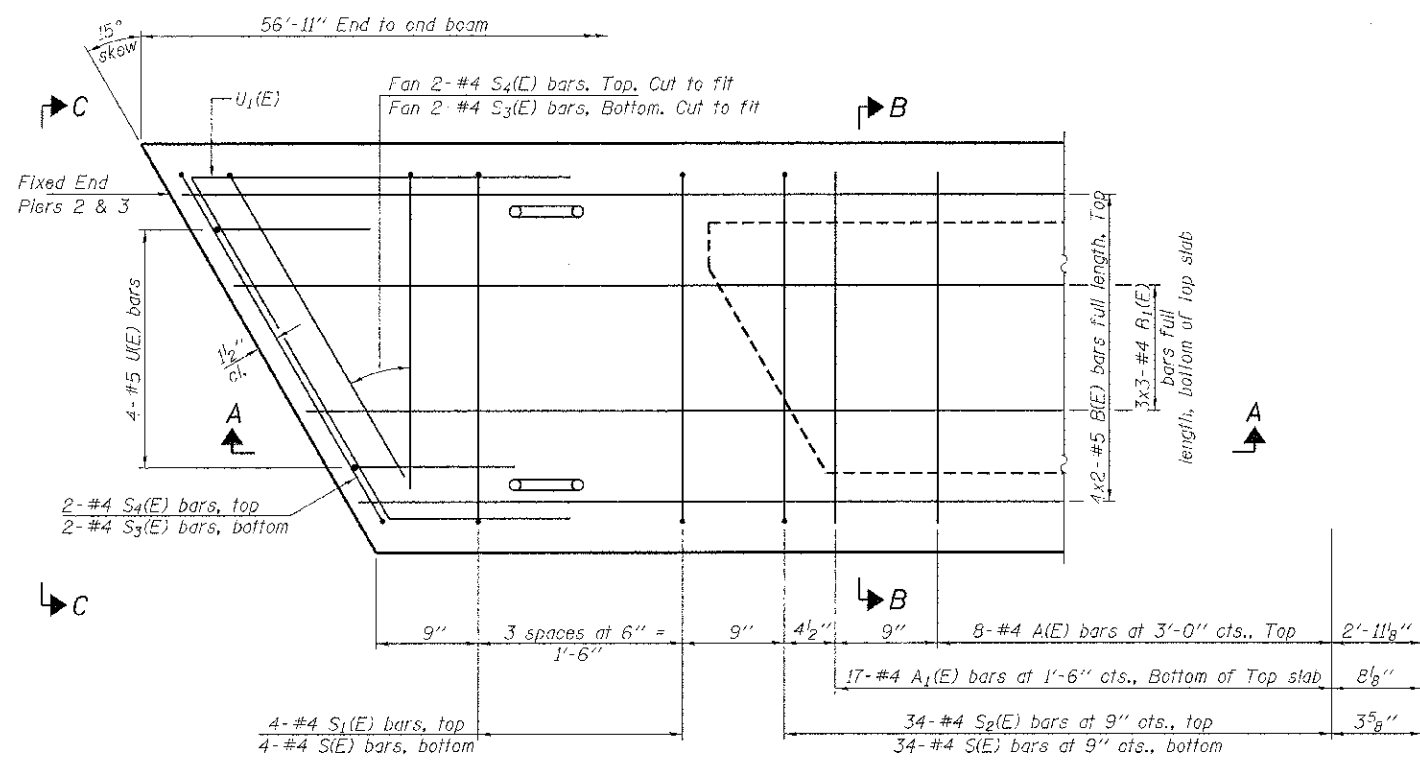
SECTION A-A



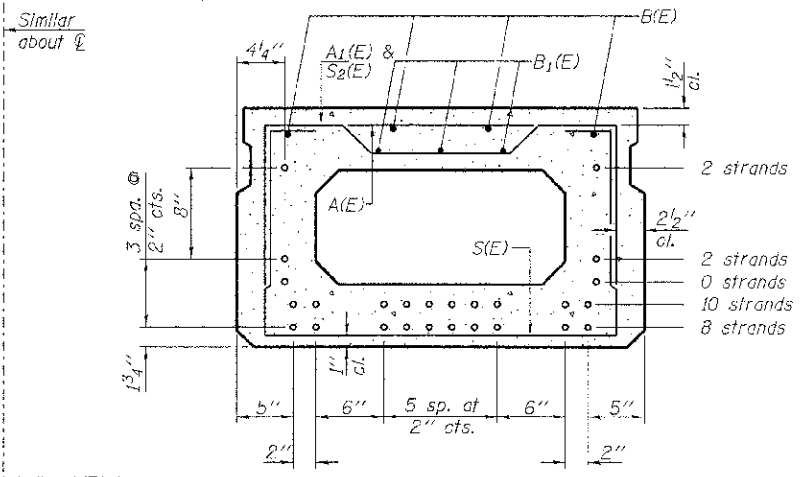
SECTION B-B  
(Showing dimensions)



VIEW C-C



PLAN VIEW



SECTION B-B  
(Showing reinforcement and permissible strand locations)

Note: Place the number of strands specified in each row symmetrically about the centerline of beam in the permissible strand locations shown.

BAR LIST  
ONE BEAM ONLY  
(For information only)

Bar	No.	Size	Length	Shape
A(E)	17	#4	2'-7"	—
A1(E)	34	#4	2'-10"	—
B(E)	8	#5	29'-7"	—
B1(E)	9	#4	20'-3"	—
S(E)	76	#4	6'-5"	□
S1(E)	8	#4	4'-11"	□
S2(E)	68	#4	5'-2"	□
S3(E)	8	#4	4'-2"	□
S4(E)	8	#4	3'-5"	□
U(E)	8	#5	4'-0"	□
U1(E)	4	#5	5'-9"	□

Note: See sheet 10 of 21 for additional details and Bill of Material.

Notes:  
Spacing of S(E) and S2(E) bars may be adjusted up to 4" in the immediate area of the transverse tie diaphragms to miss the block outs for the transverse ties.  
Bars indicated thus 4x2-#5 etc. indicates 4 lines of bars with 2 lengths per line.

MINIMUM BAR LAP  
#4 bar = 2'-0"  
#5 bar = 2'-6"

PD-2136-R 7-1-10

FILE NAME = 120127-sh1-bridge.dgn	USER NAME =	DESIGNED - D.W.T.	REVISED -
HAMPTON, LENZINI AND RENWICK, INC.		CHECKED - S.W.M.	REVISED -
300 STEVENSON DRIVE SUITE 201		DRAWN - D.A.B.	REVISED -
SPRINGFIELD, ILLINOIS 62761		CHECKED - S.W.M.	REVISED -
ILLINOIS PROFESSIONAL DESIGN PERM			
LA 178 / SS CORP. TEL 000809	PLOT DATE = 4/9/2013		

STATE OF ILLINOIS  
DEPARTMENT OF TRANSPORTATION

21" x 36" PPC DECK BEAM - SPAN 3  
STRUCTURE NO. 039-3097

SHEET NO. 9 OF 21 SHEETS

C.H.	SECTION	COUNTY	TOTAL SHEETS	SHEET NO.
11	06-00145-00-3R	JACKSON	54	42
DILLINGER ROAD		CONTRACT NO. 99509		
ILLINOIS FED. AID PROJECT				