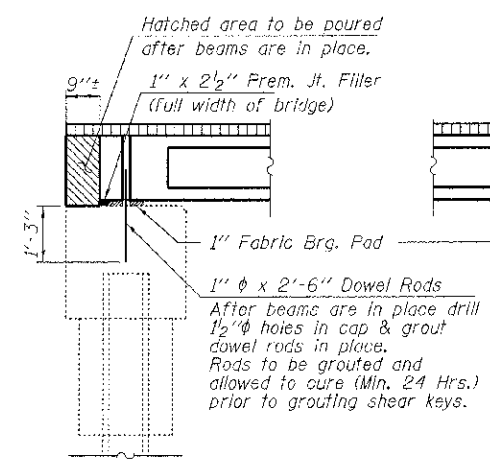
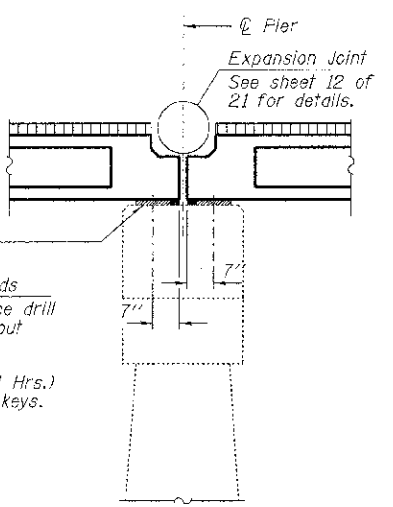


ELEVATION
Showing Rail Post Spaces

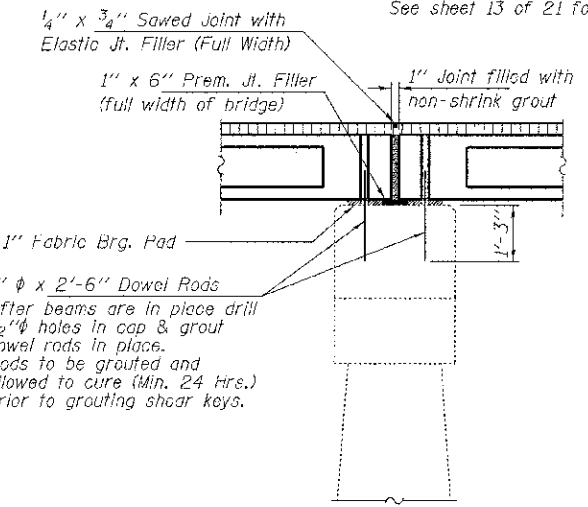
See sheet 13 of 21 for Railing Details.



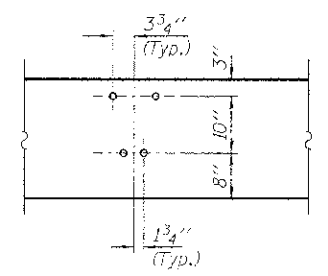
SECTION AT ABUTMENTS
© Rt. L's



SECTION AT PIERS 1 & 4
© Rt. L's



SECTION AT PIERS 2 & 3
© Rt. L's



DETAIL A

FILE NAME = 128127-ahv-br-bridge.dgn	USER NAME =	DESIGNED - D.W.T.	REVISED -	STATE OF ILLINOIS DEPARTMENT OF TRANSPORTATION	SUPERSTRUCTURE DETAILS STRUCTURE NO. 039-3097	C.V.L. SECTION	COUNTY	TOTAL SHEETS	SHEET NO.	
HAMPTON, LENZINI AND RENWICK, INC. 200 STEVENSON DRIVE, SUITE 201 SPRINGFIELD, ILLINOIS 62709	PLD.Y SCALE =	CHECKED - S.W.M.	REVISED -			11	06-00145-00-BR	JACKSON	54	44
ILLINOIS PROFESSIONAL ENGINEER REG. NO. 128127	PLOT DATE = 4/9/2013	DRAWN - D.A.B.	REVISED -			DILLINGER ROAD CONTRACT NO. 99509				
ILLINOIS PROFESSIONAL ARCHITECT REG. NO. 128127		CHECKED - S.W.M.	REVISED -			ILLINOIS FED. AID PROJECT				