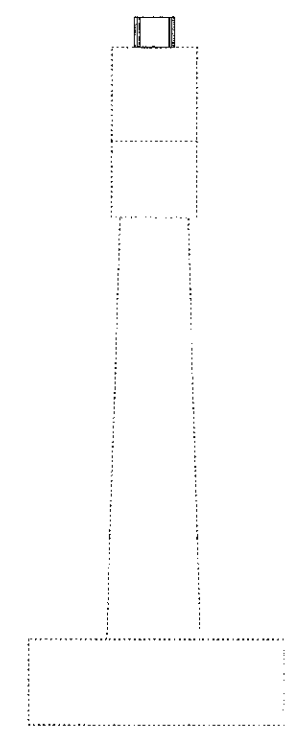
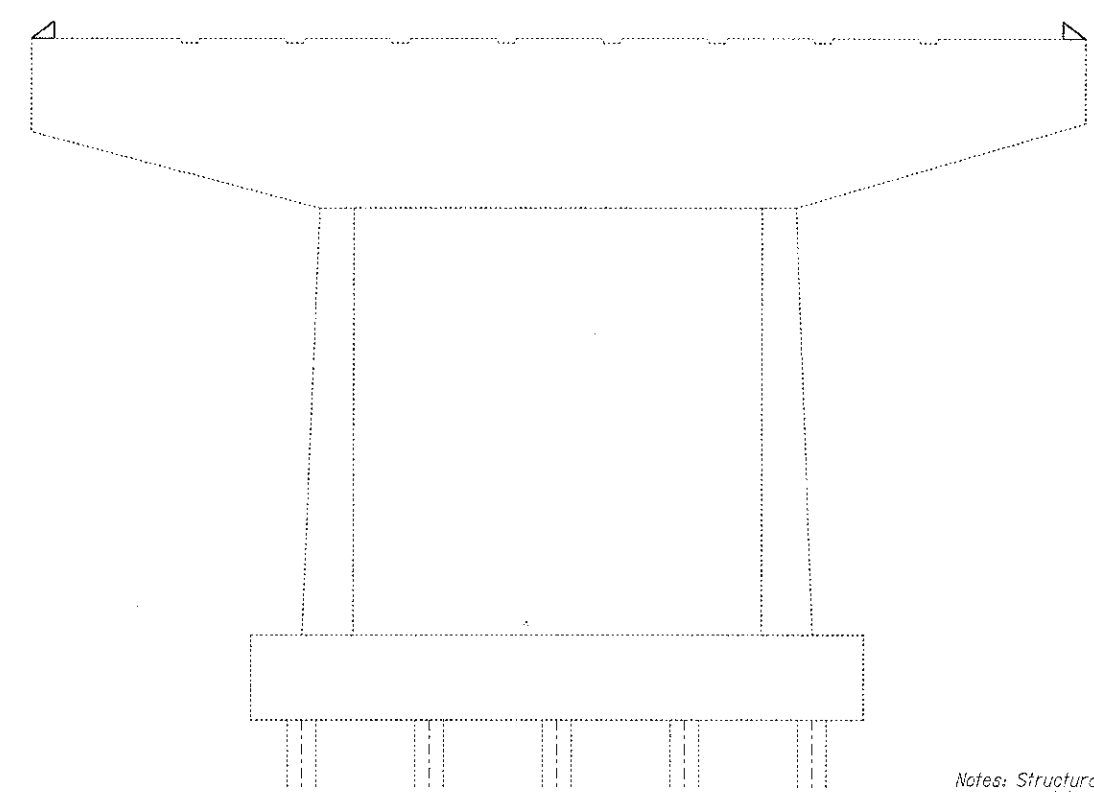


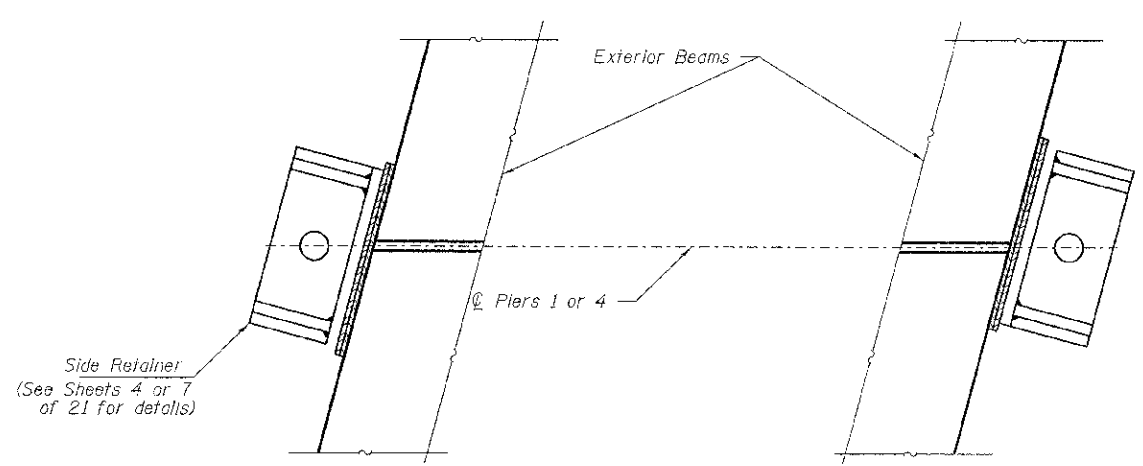
PLAN-PIERS 1 & 4



END ELEVATION-PIERS 1 & 4
(Looking East)



ELEVATION-PIERS
(Looking South)



DETAIL A
Piers 1 & 4 only

Notes: Structural repair of concrete shall be used to repair existing deterioration to the piers as directed by the Engineer.
Cost of drilling and adding anchor bolts for side retainers at Piers 1 & 4 is included with cast for Precast Prestressed Concrete Deck Beams (20" Depth)

BILL OF MATERIAL - PIERS

Structural Repair of Concrete (Depth equal to or less than 5")	Sq. Ft.	40
--	---------	----

FILE NAME = 20127-441-brsage.dgn	USER NAME =	DESIGNED - D.W.T.	REVISED -	STATE OF ILLINOIS DEPARTMENT OF TRANSPORTATION	PIERS STRUCTURE NO. 039-3097	C-1	SECTION	COUNTY	TOTAL SHEETS	SHEET NO.
HAMPTON, LENZINI AND RENWICK, INC. JAMES STEPHENSON OWNER DATE 2/81 SPRINGFIELD, ILLINOIS 62203	PLOT SCALE =	CHECKED - S.W.M.	REVISED -			11	06-00145-00-8R	JACKSON	54	48
ILLINOIS PROFESSIONAL DESIGN FIRM L2/P2/SE COMP. 18400049	PLOT DATE = 4/9/2013	DRAWN - D.A.B.	REVISED -			DILLINGER ROAD		CONTRACT NO. 99509		
		CHECKED - S.W.M.	REVISED -			SHEET NO. 15 OF 21 SHEETS		[ILLINOIS] FED. AID PROJECT		