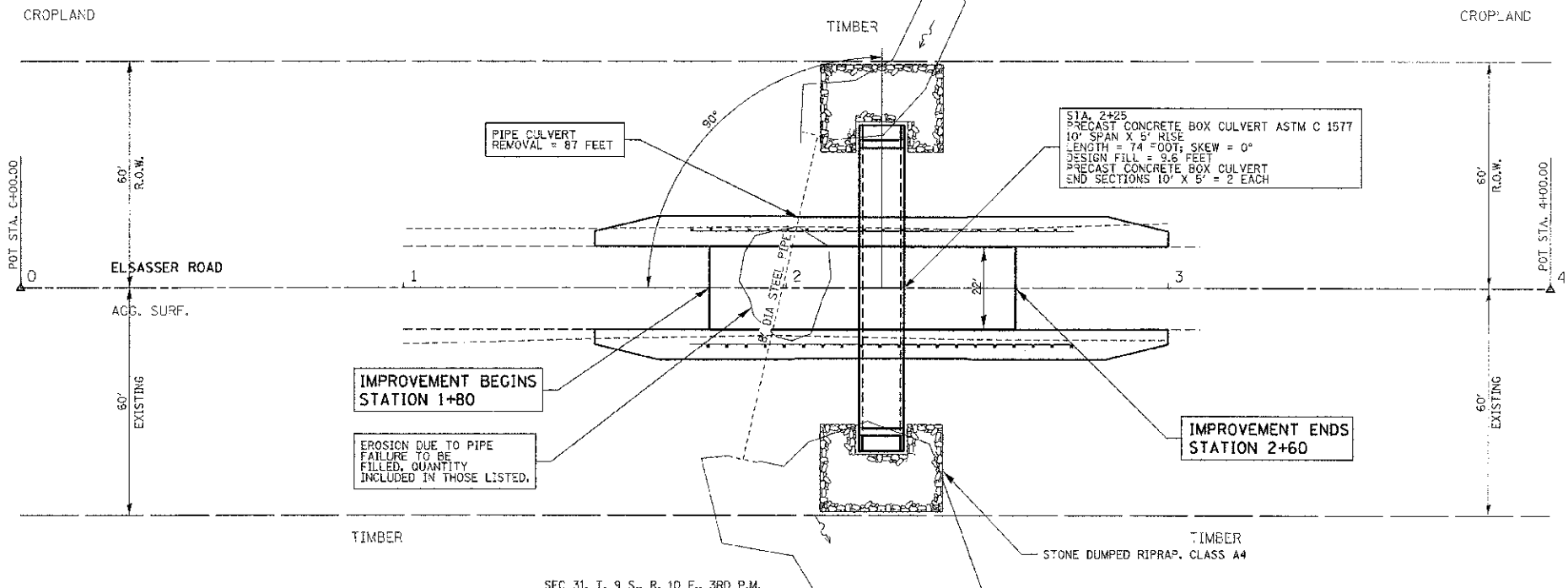
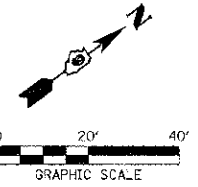


SEC 31, T. 9 S., R. 10 E., 3RD P.M.

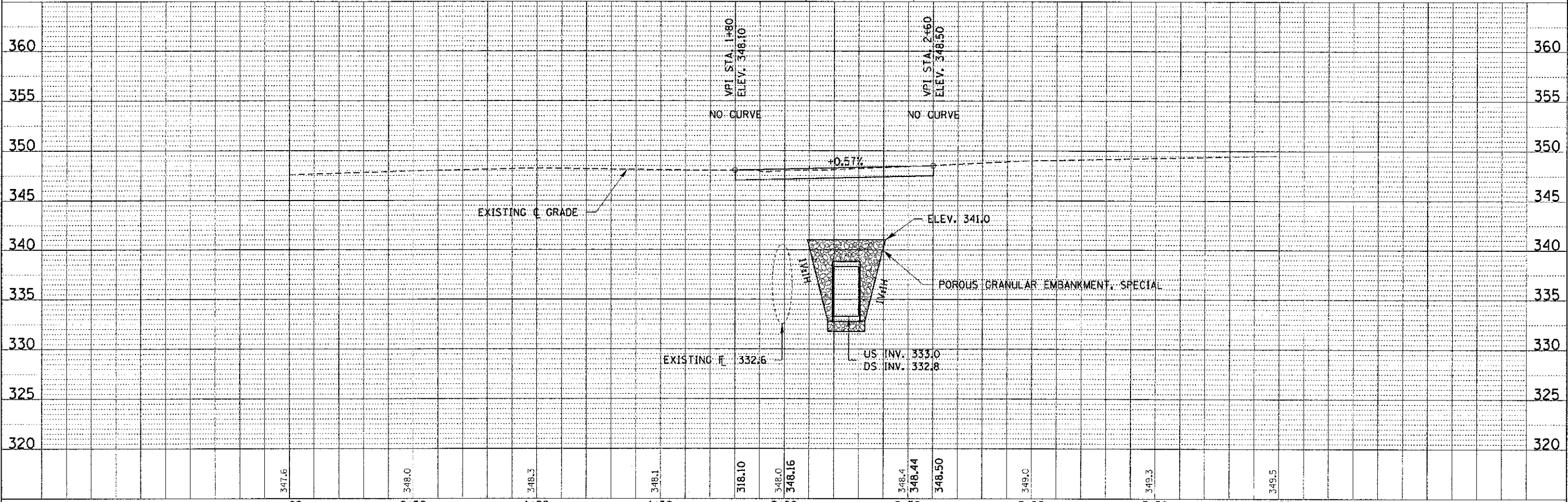


T.B.T., TY 1 (SPL.) TANGENT
 LT. STA. 1+75 TO STA. 2+75 = 2 EACH
 RT. STA. 1+75 TO STA. 2+75 = 2 EACH
 TOTAL = 4 EACH

EXISTING STRUCTURE
 STATION 1+99
 8' DIA. STEEL TANK CULVERT
 LENGTH = 87 FOOT

DATE: _____
 BY: _____
 CHECKED: _____
 DESIGNED: _____
 DRAWN: _____
 PLOTTED: _____
 FILE NAME: _____

DATE: _____
 BY: _____
 CHECKED: _____
 DESIGNED: _____
 DRAWN: _____
 PLOTTED: _____
 FILE NAME: _____



FILE NAME = 130244-ah-t-p8p.dgn	USER NAME =	DESIGNED - J.W.F.	REVISED -	STATE OF ILLINOIS GALLATIN COUNTY HIGHWAY DEPARTMENT	PLAN & PROFILE	C.H.	SECTION	COUNTY	TOTAL SHEETS	SHEET NO.
HAMPTON, LENZINI AND RENWICK, INC.	DRAWN - L.G.C.	REVISED -	14			13-00078-00-DR	GALLATIN	13	4	
1313 S. GARDNER DRIVE, SUITE 200 SPRINGFIELD, ILLINOIS 62761	CHECKED - S.W.M.	REVISED -	ELSSASSERS ROAD			CONTRACT NO. 99511				
ILLINOIS PROFESSIONAL DESIGN FIRM 1313 S. GARDNER DRIVE, SUITE 200 SPRINGFIELD, ILLINOIS 62761	DATE - 04/25/13	REVISED -	ILLINOIS FED. AID PROJECT							