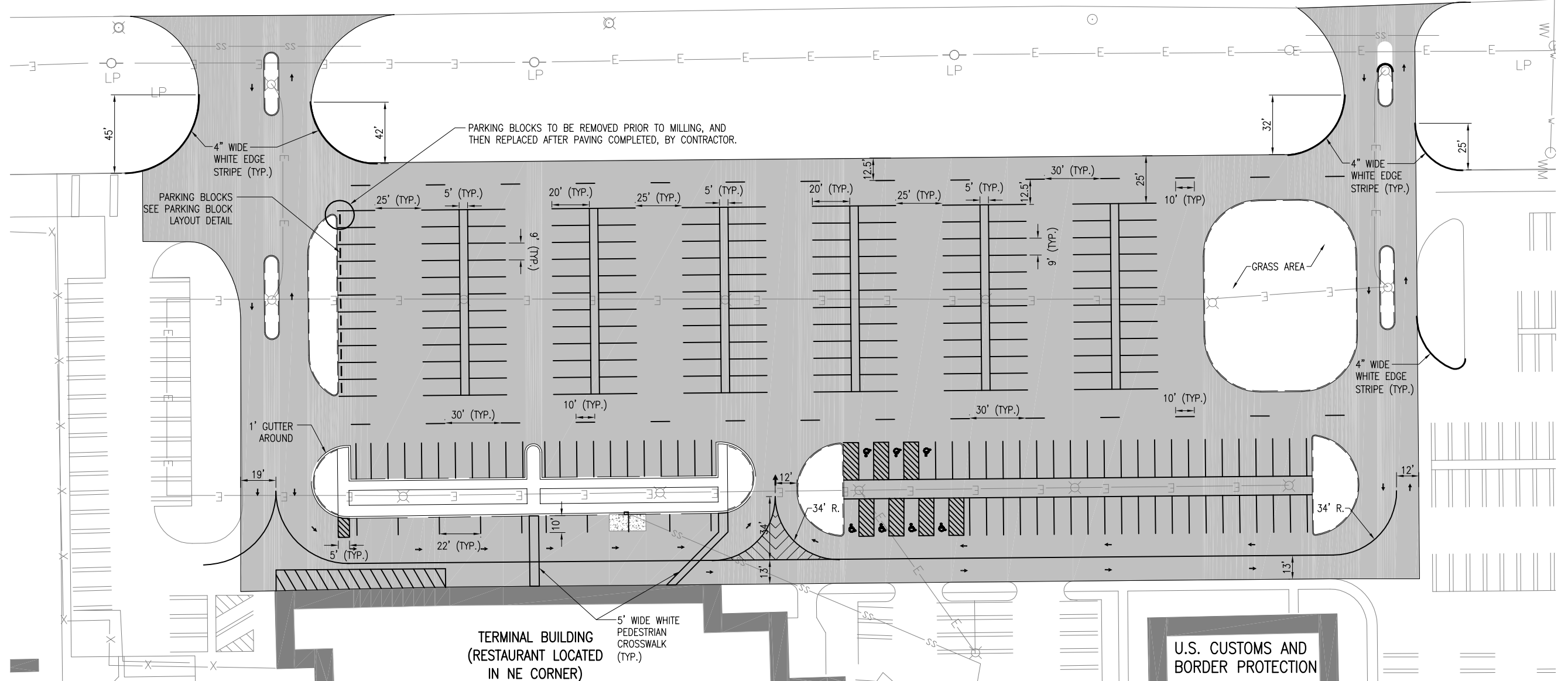


AIRPORT RD.



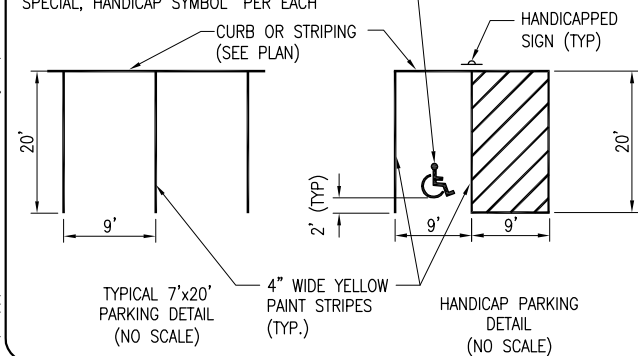
HANDICAPPED PARKING SIGNS

THE SIGNS SHALL BE A R7-8 AND, WHERE APPLICABLE, R7-8P STANDARD SIGNS ADOPTED BY THE U.S. DEPARTMENT OF TRANSPORTATION, AS NEEDED.

THE SIGNS SHALL BE VERTICALLY MOUNTED ON A POST AT THE FRONT CENTER OF THE PARKING SPACE AND SET A MINIMUM OF 3 FT. BEHIND THE BACK OF THE PARKING STALL MARKING AND 7 FT. FROM THE PAVEMENT TO THE BOTTOM OF THE SIGN.

THIS ITEM OF WORK SHALL BE PAID FOR UNDER ITEM:
AR910230 "HANDICAP SIGN" - 1 EACH

INTERNATIONAL SYMBOL OF ACCESSIBILITY; PAID UNDER ITEM AR800571 "PAVEMENT MARKING - SPECIAL, HANDICAP SYMBOL" PER EACH



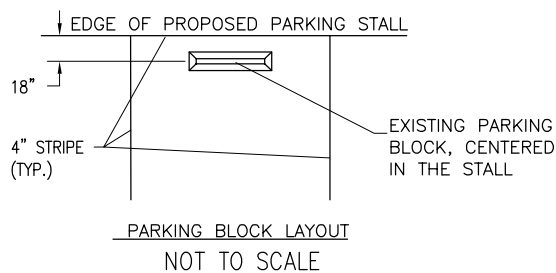
PAVEMENT MARKINGS - DIRECTIONAL ARROWS

THE PROPOSED DIRECTIONAL ARROW PAVEMENT MARKINGS SHALL BE LOCATED AS SHOWN ON THIS SHEET. ARROWS SHALL CONFORM TO IDOT STANDARD DRAWING NO. 780001. THIS ITEM OF WORK SHALL BE PAID FOR UNDER THE FOLLOWING ITEMS:

AR800572 "PAVEMENT MARKING - SPECIAL, ARROW-STRAIGHT" - 28 EA

NOTE

ALL PAVEMENT MARKING SHALL BE IN ACCORDANCE WITH ITEM 620.



620-PAVEMENT MARKING-WATERBORNE NOTES

THE PAVEMENT MARKING-WATERBORNE (620) SHALL BE PLACED IN ACCORDANCE WITH ITEM 620 "PAVEMENT MARKING" AS STATED ON PAGE 272 OF THE ILLINOIS STANDARD SPECIFICATIONS FOR CONSTRUCTION OF AIRPORTS, ADOPTED APRIL 1, 2012.

THIS ITEM SHALL CONSIST OF TAXILANE CENTERLINE IN ACCORDANCE WITH THESE SPECIFICATIONS AND AT THE LOCATIONS SHOWN ON THE CONSTRUCTION PLANS. THE PROPOSED PAVEMENT MARKING WILL BE APPLIED IN TWO APPLICATIONS.

ANY MATERIAL DELIVERED THAT FAILS TO MEET THE SPECIFICATIONS SHALL BE DISPOSED OF BY THE VENDOR AND IMMEDIATELY REPLACED WITH ACCEPTABLE MATERIAL ENTIRELY AT THE VENDOR'S EXPENSE, INCLUDING HANDLING AND TRANSPORTATION CHARGES.

ALL PROPOSED MARKING WILL BE COMPLETED IN ACCORDANCE WITH THE DETAILS SHOWN ON THE CONSTRUCTION PLANS.

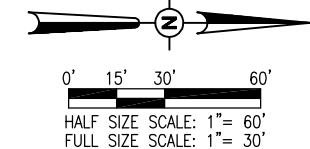
GLASS BEADS SHALL BE REQUIRED ONLY ON THE SECOND APPLICATION OF THE MARKING.

CUT-OFF SHEETS WILL BE REQUIRED TO INSURE STRAIGHT EDGES.

THE PROPOSED MARKING WILL BE PAID FOR UNDER ITEM:
AR620520 PAVEMENT MARKING-WATERBORNE ____ PER S.F.

MARKING QUANTITIES

DESCRIPTION	UNIT AREA (S.F.)	NO. REQUIRED	TOTAL AREA (S.F.)
CENTERLINE STRIPE	600	1	600
CENTERLINE SKIP - DASH	3.33	28	93
PARKING STALLS STRIPES (20')	6.67	222	1,481
PARKING STALL CURB STRIPE (9')	32.33	12	388
PARKING STALL CURB STRIPE (250')	83.33	2	167
PARKING STALL STRIPES(10')	3.33	10	33
HANDICAP STALL	43	7	301
SIDEWALK EXIT/NO PARKING	21	1	21
NO PARKING (ADJACENT BUILDING) AND MEDIAN	140	1	140
TOTAL YELLOW			3,224
EDGE STRIPE	83	1	83
PEDESTRIAN CROSSWALK	58	1	58
TOTAL WHITE			141
TOTAL MARKING			3,365



MAY 06, 2013 7:25 AM KINC00394 p:\s\sp-rv306\hanson\dom\hanson\Projects\Documents\13\jobs\13A0013\13A0013D\CAD\Airport\Sheet\C-551-MRK

REVISION	DATE



Hanson Proj. No. 13A0013	FILENAME C-151-MRK.dwg	Scale 1" = 60'	Date 05/03/13
LAYOUT	BRK	03/27/13	
DRAWN	RAD	03/27/13	
REVIEWED	RAW	05/03/13	

HANSON
 © Copyright Hanson Professional Services Inc. 2013
 Hanson Professional Services Inc.
 1525 South Sixth Street
 Springfield, Illinois 62703-2886
 Ph: (217) 788-2450 Fax: (217) 788-2503
 www.hanson-inc.com
 Offices Nationwide

REHABILITATE
PARKING LOT

MARKING PLAN

8

8 of 9 sheets

IL PROJ.: DEC-4271