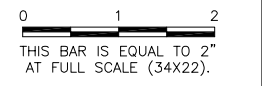


**TA005**

REVISIONS		
NUMBER	BY	DATE



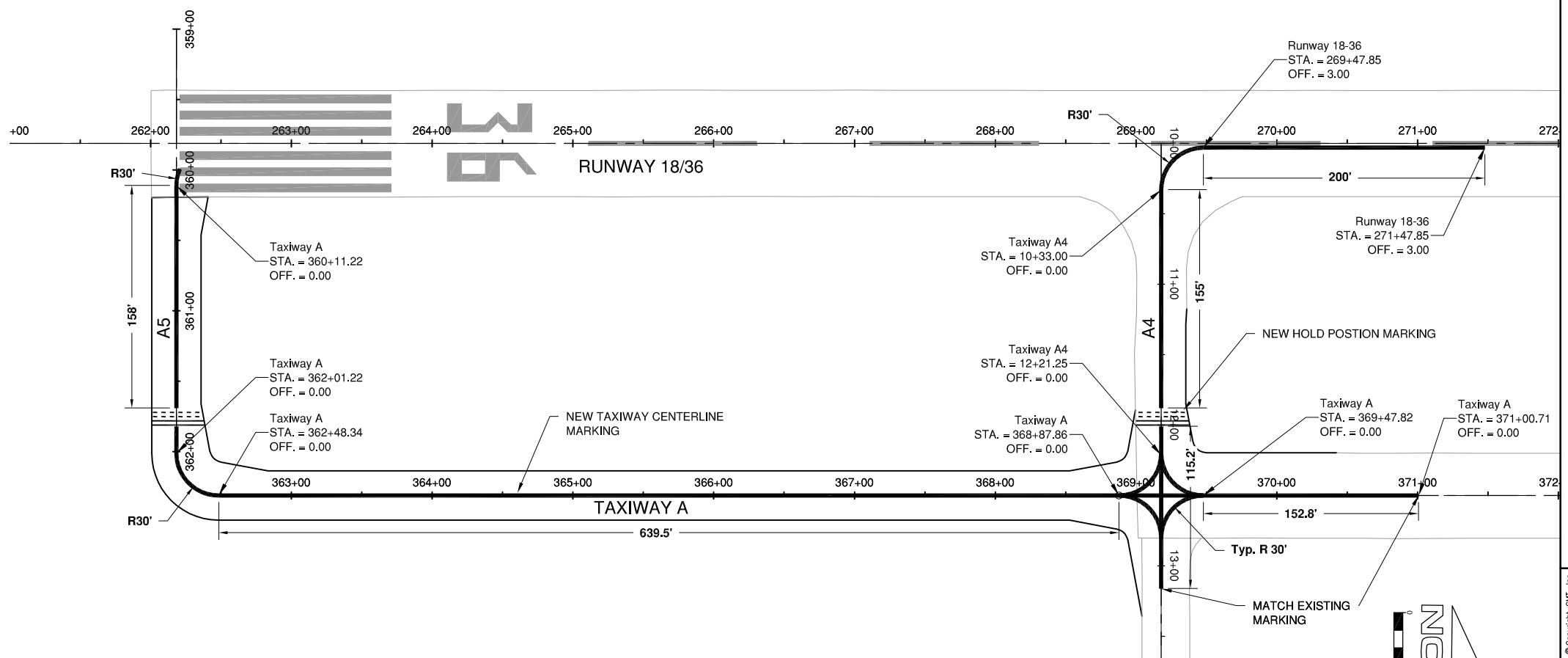
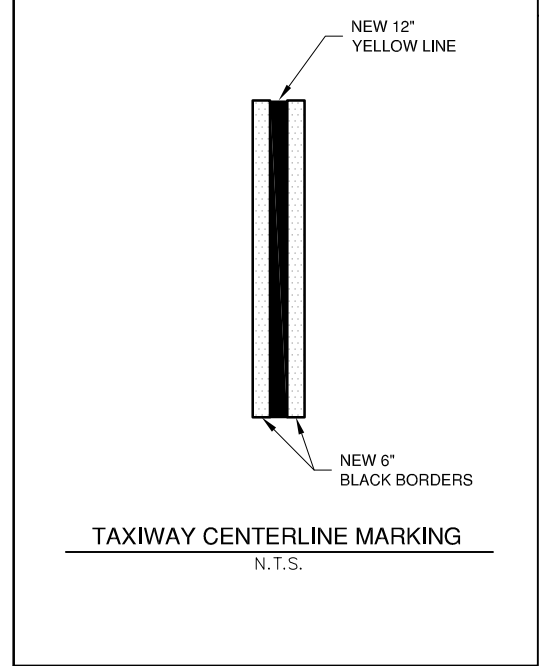
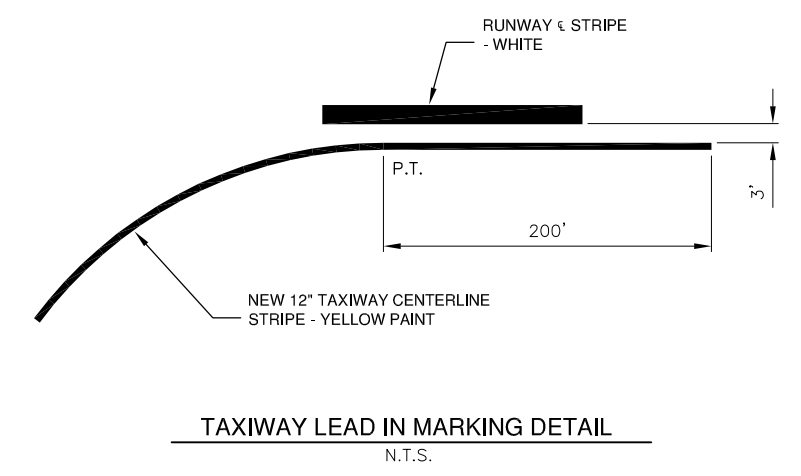
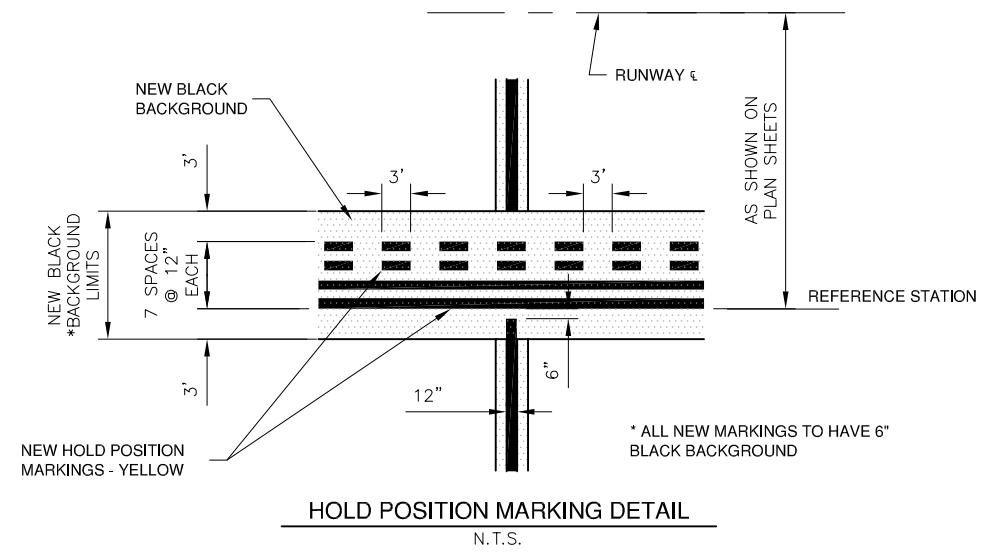
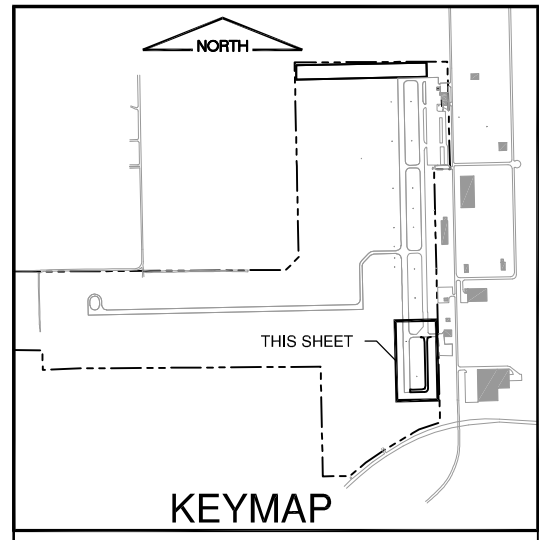
**TAYLORVILLE MUNICIPAL AIRPORT  
 TAYLORVILLE AIRPORT  
 TAYLORVILLE, ILLINOIS**

**TAXIWAY EXTENSION  
 PAVEMENT MARKING PLAN**

© Copyright CMT, Inc.  
**CMT**  
 CRAWFORD, MURPHY & TILLY, INC.  
 CONSULTING ENGINEERS  
 License No. 184-000613

DESIGN BY:	CBG
DRAWN BY:	CMT
CHECKED BY:	CET
APPROVED BY:	CET
DATE:	MARCH 13, 2013
JOB No:	11050-01

IL PROJ. NO. TAZ-4096  
 SBG NO. 3-17-0100-B13



- NOTES**
1. YELLOW MARKINGS TO BE PAID FOR UNDER ITEM AR620520 - PAVEMENT MARKING - WATERBORNE.
  2. BLACK MARKINGS TO BE PAID FOR UNDER ITEM AR620525 - PAVEMENT MARKING - BLACK BORDER

K:\projects\1105001\Draw Sheets