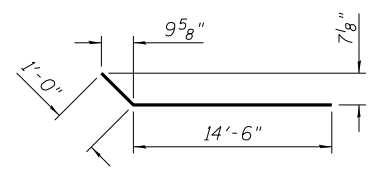
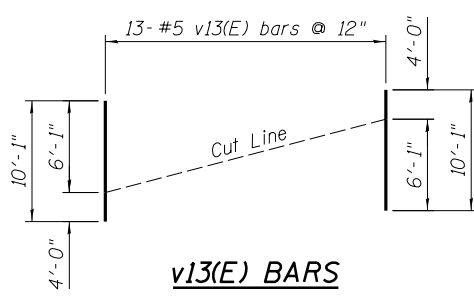


h14(E) BARS

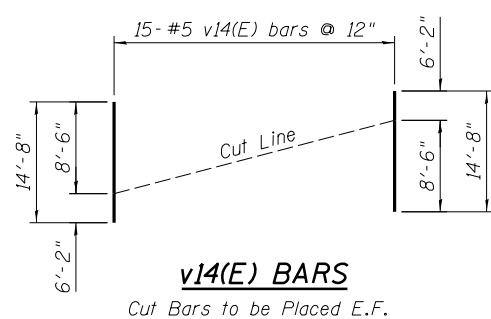


h16(E) BARS



v13(E) BARS

Cut Bars to be Placed E.F.



v14(E) BARS

Cut Bars to be Placed E.F.

BILL OF MATERIAL

Bar	No.	Size	Length	Shape
h12(E)	14	#5	19'-8"	—
h13(E)	4	#5	16'-5"	—
h14(E)	2	#5	19'-10"	—
h15(E)	20	#5	17'-1"	—
h16(E)	38	#5	15'-6"	—
h17(E)	76	#5	29'-4"	—
v(E)	16	#5	3'-10"	—
v13(E)	13	#5	10'-1"	—
v14(E)	15	#5	14'-8"	—
v15(E)	144	#5	8'-7"	—
Reinforcement Bars Epoxy Coated		Pound	5410	
Concrete Structures (Retaining Wall)		Cu. Yd.	34.4	

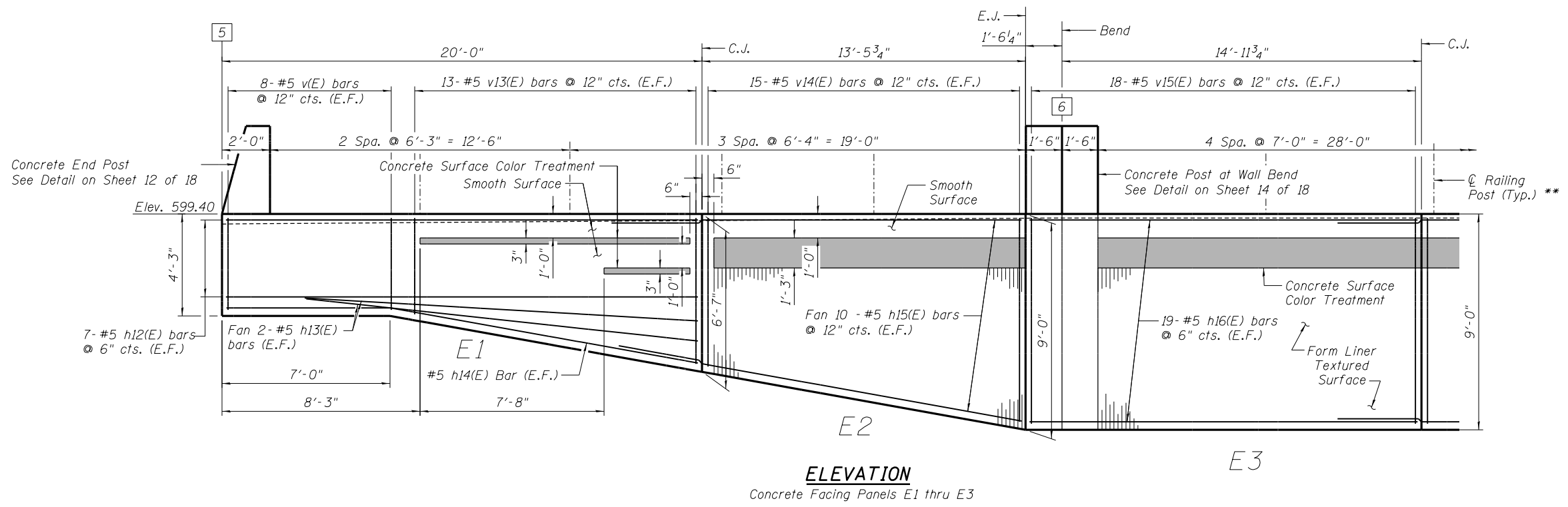
Ⓣ = Intermediate Tensioning Posts

1 = Control Point

** Steel Railing (Special)
All Measurements are
Along Top of Wall.
Adjust as Necessary
to Avoid C.J.'s & E.J.'s.

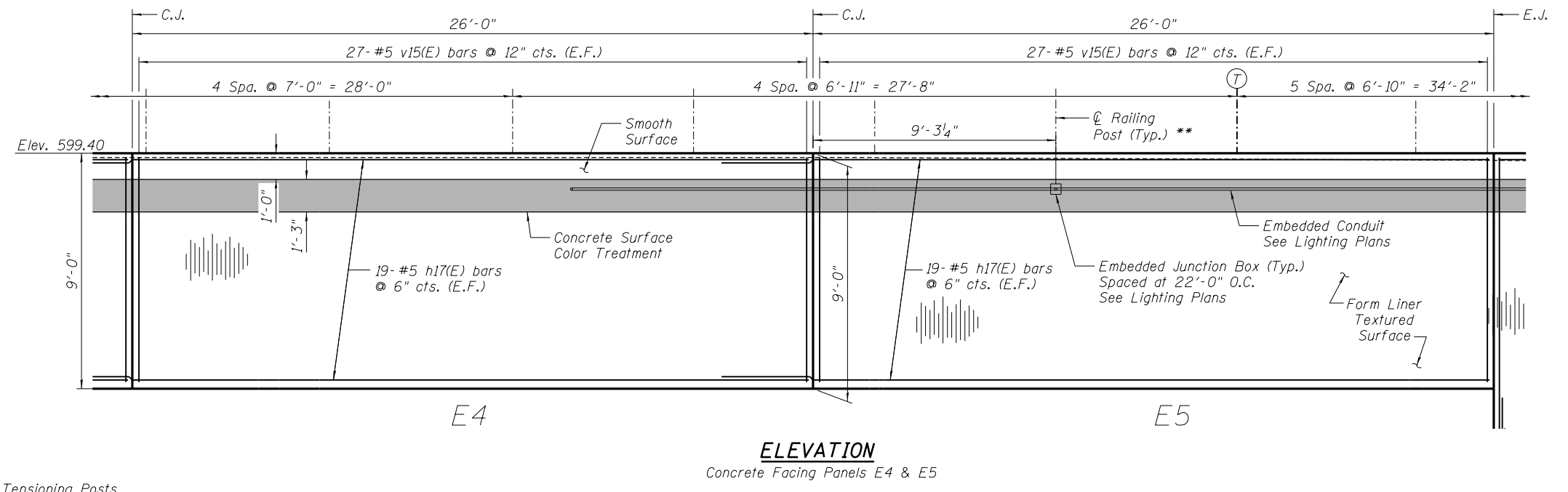
Note: E.J. = Expansion Joint
C.J. = Construction Joint
E.F. = Each Face
* = Stagger Bars

MIN. BAR LAPS
#5 Bars = 3'-4"



ELEVATION

Concrete Facing Panels E1 thru E3



ELEVATION

Concrete Facing Panels E4 & E5

FINAL

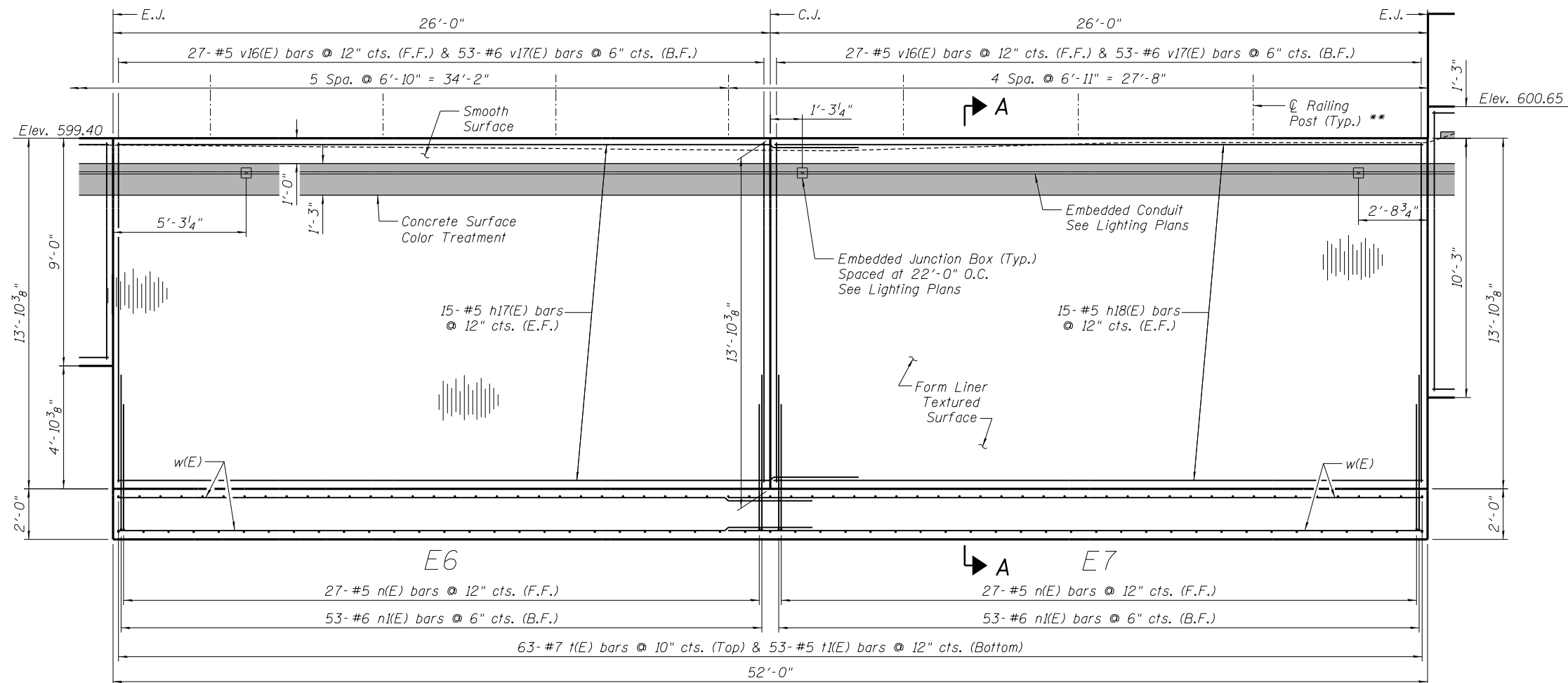


USER NAME = Pop00275	DESIGNED - RGC	REVISIONS -
PLOT SCALE = 0.1667' / in.	CHECKED - KMS	REVISIONS -
PLOT DATE = 4/11/2019	DRAWN - EJM	REVISIONS -
	CHECKED - RGC	REVISIONS -

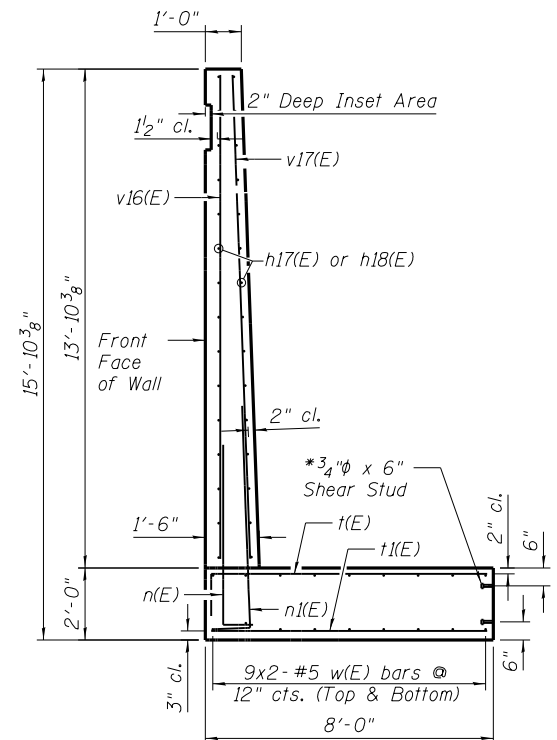
**STATE OF ILLINOIS
DEPARTMENT OF TRANSPORTATION**

**CONCRETE FACING - EAST WALL
RETAINING WALLS - 6TH STREET**

F.A.U. RTE.	SECTION	COUNTY	TOTAL SHEETS	SHEET NO.
	(109) VB,(110) VB-5	SANGAMON	382	301
			CONTRACT NO. 93733	
SHEET NO. 10 OF 18 SHEETS				
ILLINOIS FED. AID PROJECT				

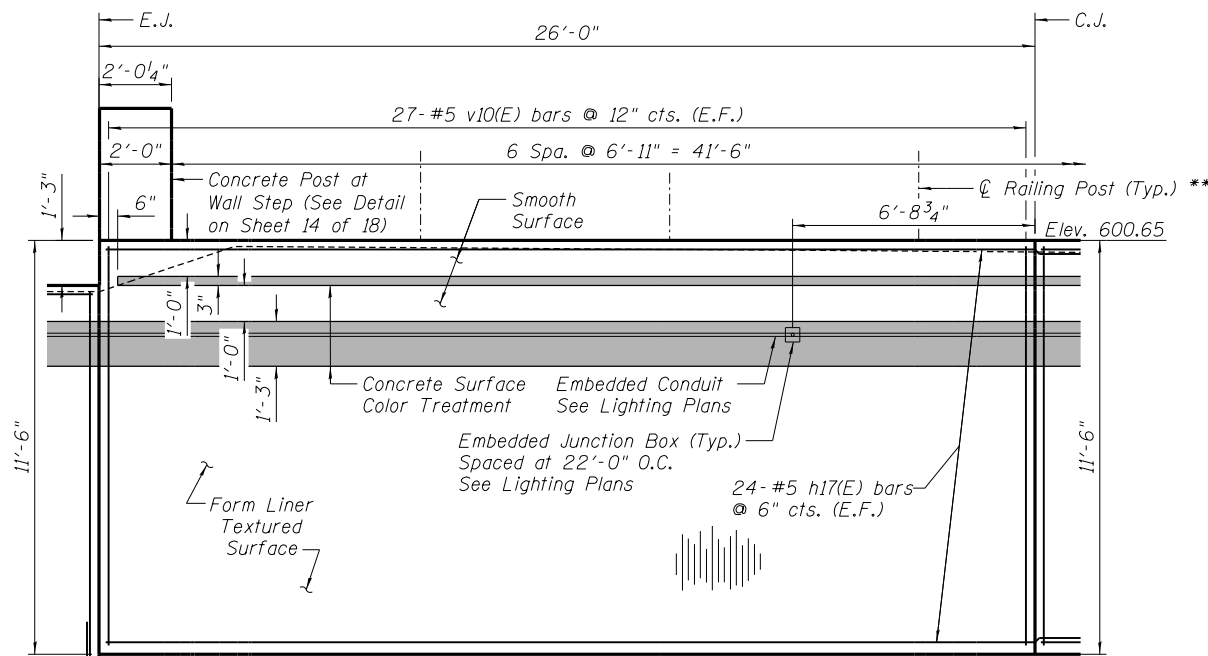


ELEVATION
Concrete Facing Panels E6 & E7

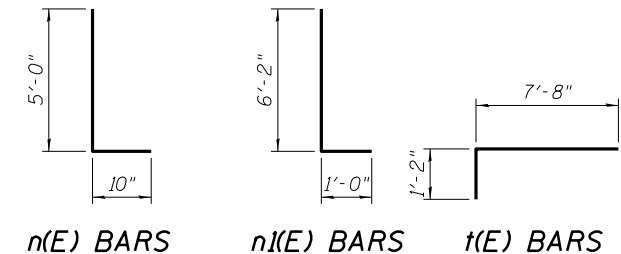


SECTION A-A - SEMI-GRAVITY WALL

*2 Shear Studs on Each Soldier Pile (East Wall Piles 18 through 25). Included in the Quantity for Stud Shear Connectors on Sheet 7 of 18.



ELEVATION
Concrete Facing Panel E8



Note: E.J. = Expansion Joint
C.J. = Construction Joint
E.F. = Each Face
B.F. = Back Face
F.F. = Front Face
* = Stagger Bars

** Steel Railing (Special)
All Measurements are Along Top of Wall.
Adjust as Necessary to Avoid C.J.'s & E.J.'s.

BILL OF MATERIAL

Bar	No.	Size	Length	Shape
h17(E)	56	#5	29'-4"	—
h18(E)	30	#5	25'-8"	—
n(E)	54	#5	5'-10"	L
n(E)	106	#6	6'-2"	L
t(E)	63	#7	8'-10"	┌
t(E)	53	#5	7'-8"	—
v10(E)	54	#5	11'-1"	—
v16(E)	54	#5	13'-5"	—
v17(E)	128	#6	13'-5"	—
w(E)	36	#5	27'-5"	—
Reinforcement Bars Epoxy Coated			Pound	10,380
Concrete Structures (Retaining Wall)			Cu. Yd.	76.8

MIN. BAR LAPS
#5 Bars = 3'-4"

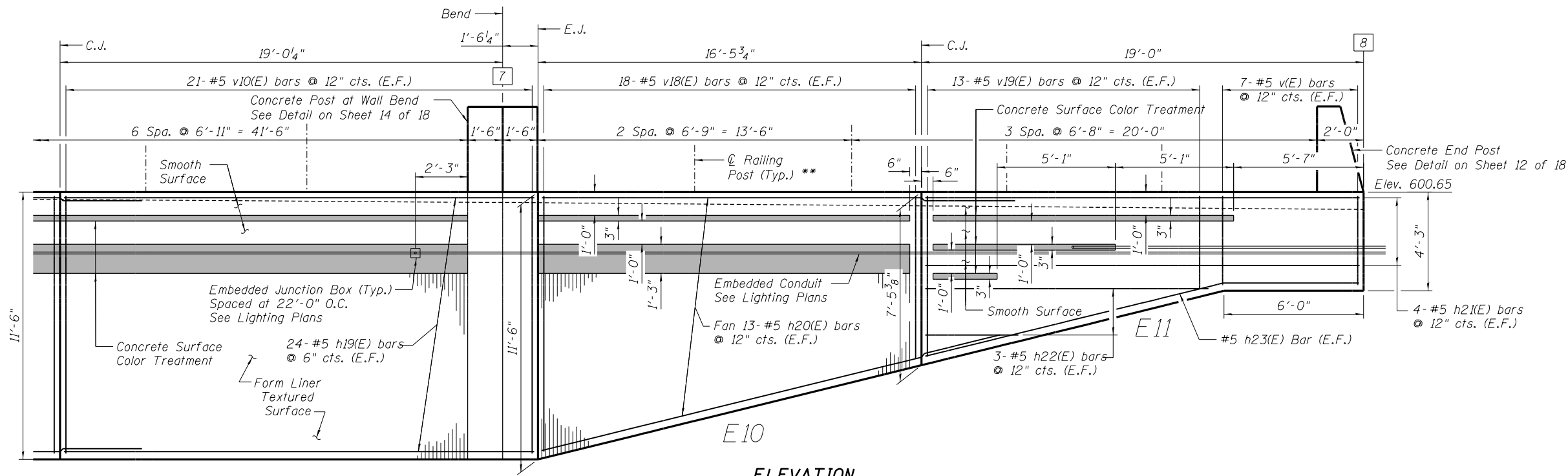
STATE OF ILLINOIS
DEPARTMENT OF TRANSPORTATION

CONCRETE FACING - EAST WALL
RETAINING WALLS - 6TH STREET

SHEET NO. 11 OF 18 SHEETS

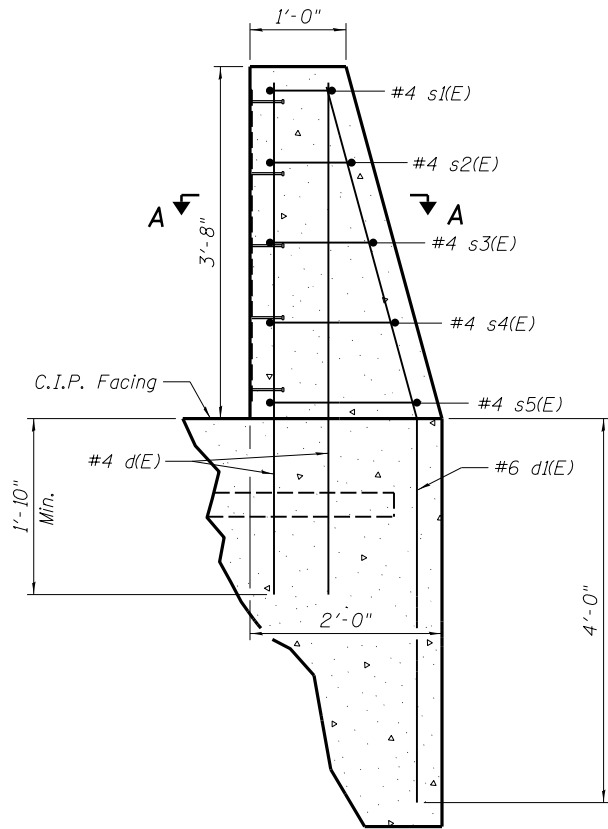
F.A.U. RTE.	SECTION	COUNTY	TOTAL SHEETS	SHEET NO.
	(109) VB,(110) VB-5	SANGAMON	382	302
				CONTRACT NO. 93733

ILLINOIS FED. AID PROJECT



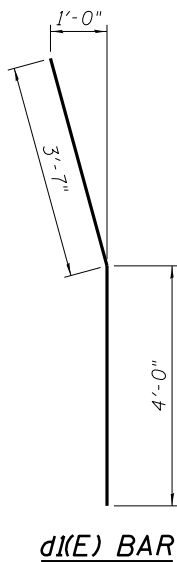
E9

ELEVATION
Concrete Facing Panels E9 thru E11

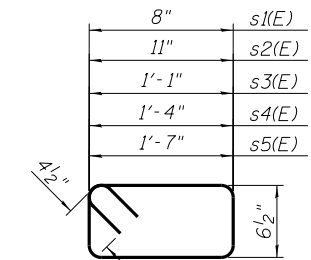


**CABLE ANCHORAGE
CONCRETE END POST DETAIL**

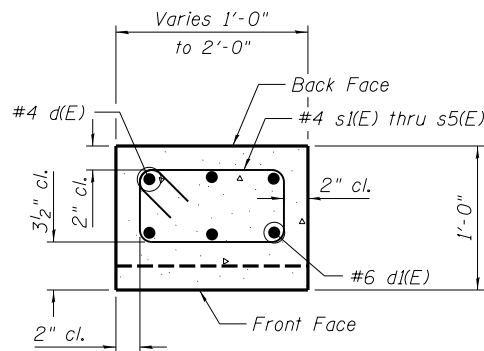
Typ. of 4 Posts on Concrete Facing
See Sheet 16 of 18 for Railing Connection Details



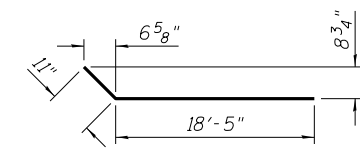
d(E) BAR



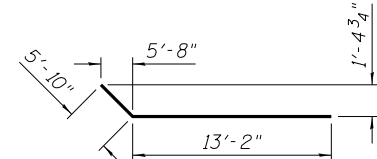
s1(E) THRU s5(E) BARS



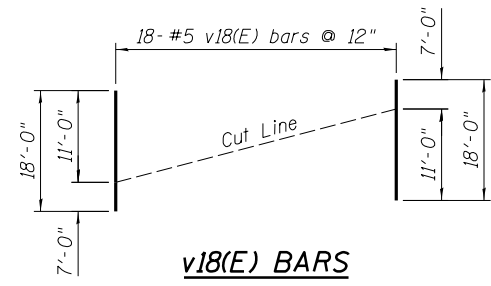
SECTION A-A



h19(E) BARS

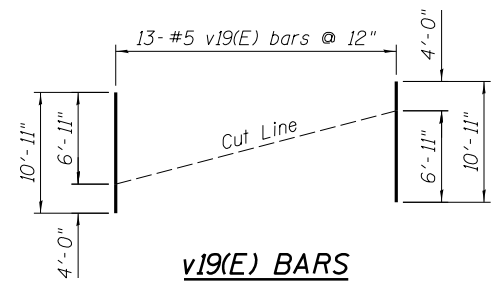


h23(E) BARS



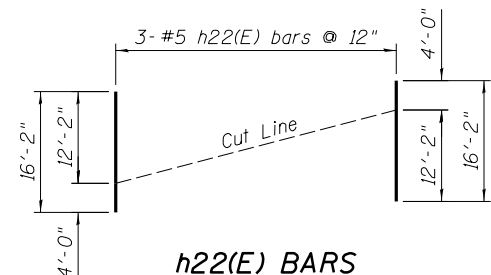
v18(E) BARS

Cut Bars to be Placed E.F.



v19(E) BARS

Cut Bars to be Placed E.F.



h22(E) BARS

Cut Bars to be Placed E.F.

BILL OF MATERIAL

Bar	No.	Size	Length	Shape
d(E)	16	#4	5'-5"	—
d1(E)	8	#6	7'-7"	—
h19(E)	48	#5	19'-4"	—
h20(E)	26	#5	20'-4"	—
h21(E)	8	#5	18'-8"	—
h22(E)	3	#5	16'-2"	—
h23(E)	2	#5	19'-0"	—
s1(E)	4	#4	3'-2"	—
s2(E)	4	#4	3'-8"	—
s3(E)	4	#4	4'-0"	—
s4(E)	4	#4	4'-6"	—
s5(E)	4	#4	5'-0"	—
v(E)	14	#5	3'-10"	—
v10(E)	42	#5	11'-1"	—
v18(E)	18	#5	18'-0"	—
v19(E)	13	#5	10'-11"	—
Reinforcement Bars Epoxy Coated		Pound	2990	
Concrete Structures (Retaining Wall)		Cu. Yd.	21.3	

1 = Control Point

Note: E.J. = Expansion Joint
C.J. = Construction Joint
E.F. = Each Face
* = Stagger Bars

** Steel Railing (Special)
All Measurements are
Along Top of Wall.
Adjust as Necessary
to Avoid C.J.'s & E.J.'s.

MIN. BAR LAPS
#5 Bars = 3'-4"

pw:\spsvr\306.hanson.dom\hanson Projects\Documents\09Jobs\09L0179B\CAD\Struct\6th\Sheet\09L0179B-6thRetainingWallPlans

USER NAME = Pop00275	DESIGNED - RGC	REVISED -
PLOT SCALE = 0.1667' / in.	CHECKED - KMS	REVISED -
PLOT DATE = 4/11/2019	DRAWN - EJM	REVISED -
	CHECKED - RGC	REVISED -

**STATE OF ILLINOIS
DEPARTMENT OF TRANSPORTATION**

**CONCRETE FACING - EAST WALL
RETAINING WALLS - 6TH STREET**

SHEET NO. 12 OF 18 SHEETS

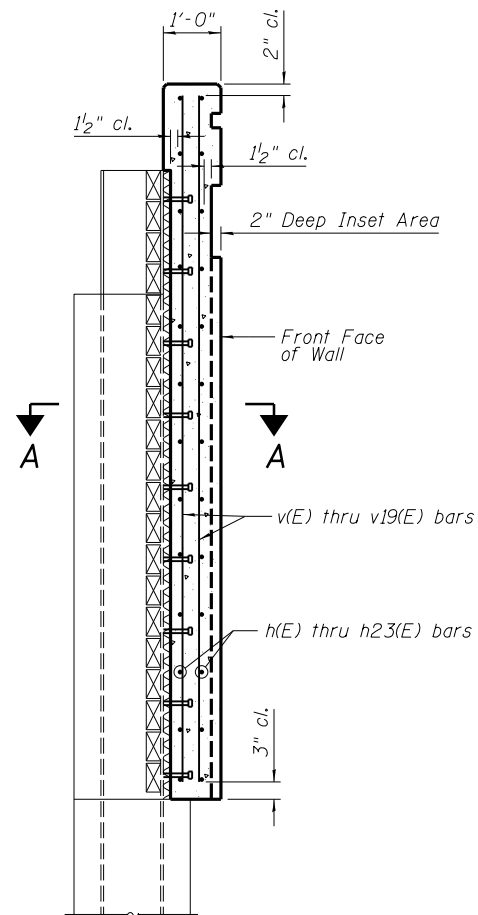
F.A.U. RTE.	SECTION	COUNTY	TOTAL SHEETS	SHEET NO.
	(109) VB,(110) VB-5	SANGAMON	382	303
			CONTRACT NO. 93733	

ILLINOIS FED. AID PROJECT

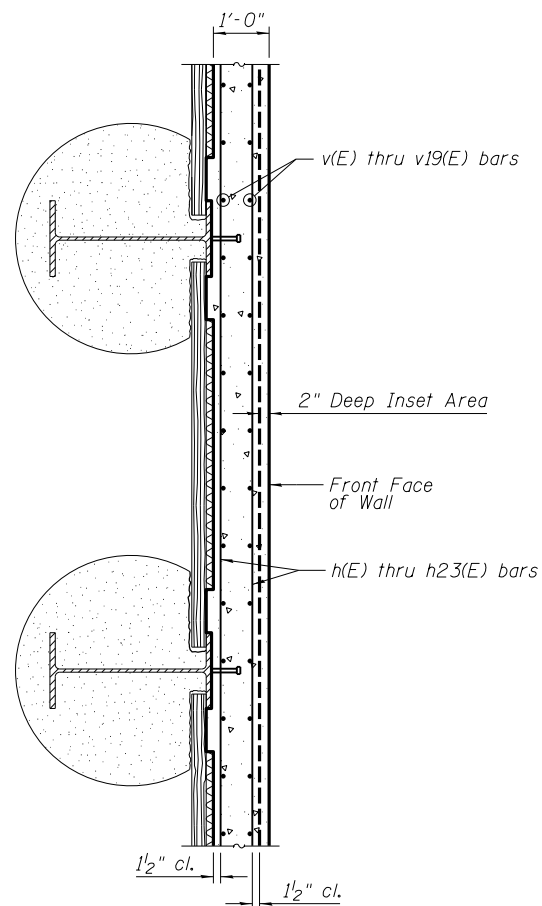
FINAL



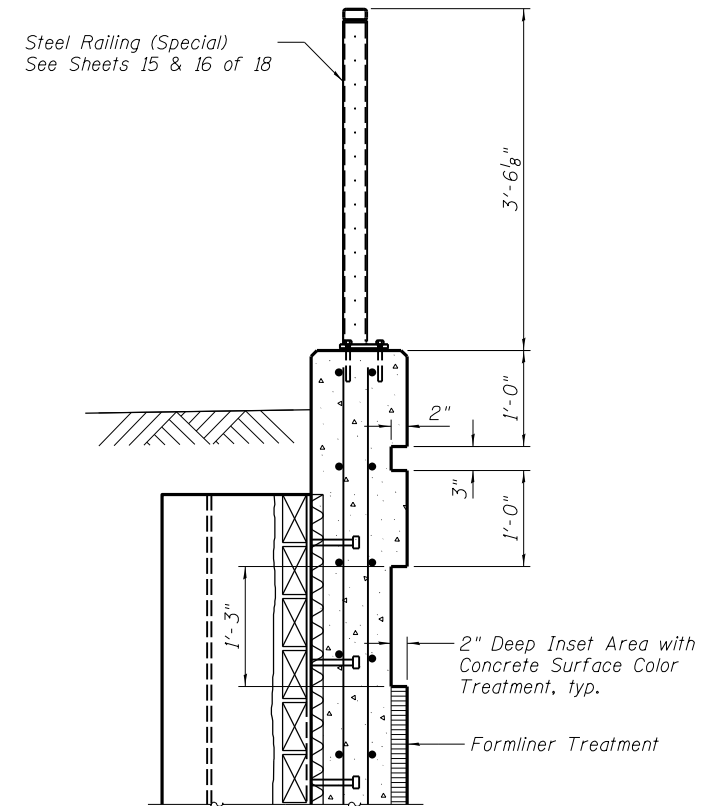
© Copyright Hanson Professional Services Inc., 2019



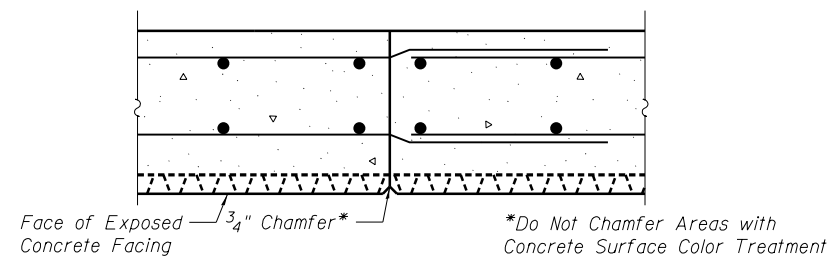
TYPICAL SECTION THRU CONCRETE FACING



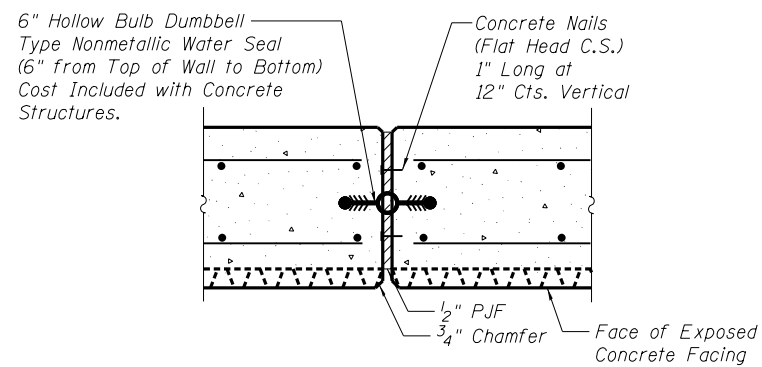
SECTION A-A



RAILING & RUSTICATION DETAIL



TYPICAL WALL CONSTRUCTION JOINT DETAIL



TYPICAL WALL EXPANSION JOINT DETAIL

FINAL



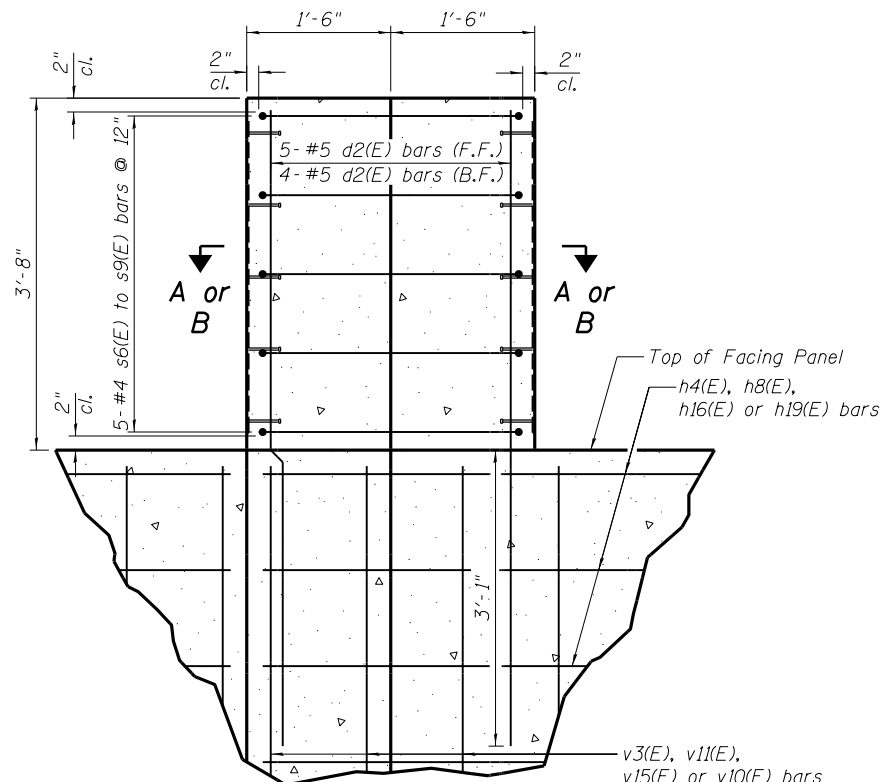
USER NAME = Pop00275	DESIGNED - RGC	REVISED -
PLOT SCALE = 0.1667' / in.	CHECKED - KMS	REVISED -
PLOT DATE = 4/11/2019	DRAWN - EJM	REVISED -
	CHECKED - RGC	REVISED -

**STATE OF ILLINOIS
DEPARTMENT OF TRANSPORTATION**

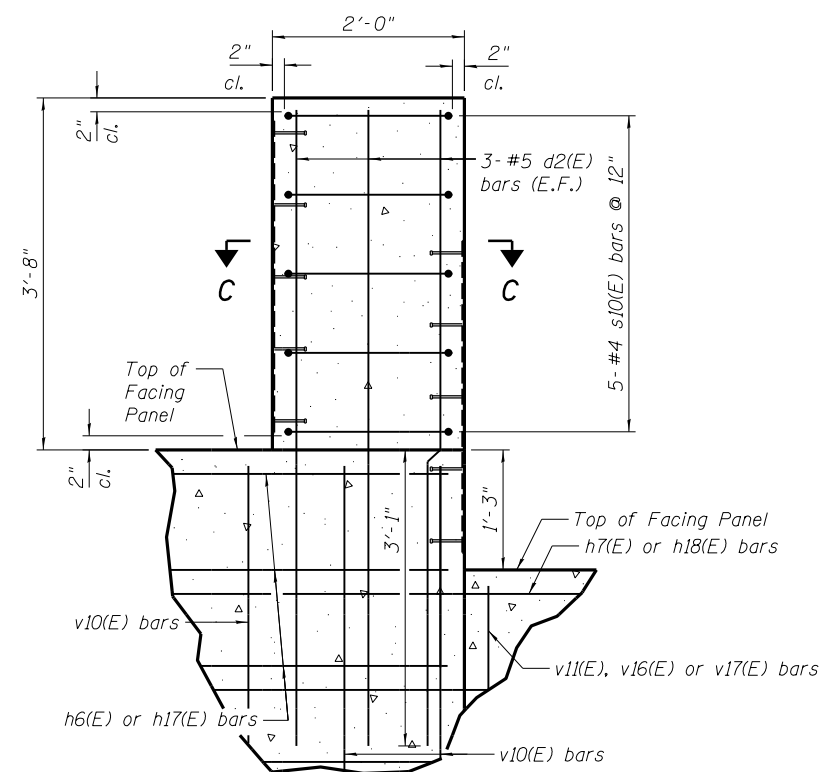
**CONCRETE FACING DETAILS
RETAINING WALLS - 6TH STREET**

SHEET NO. 13 OF 18 SHEETS

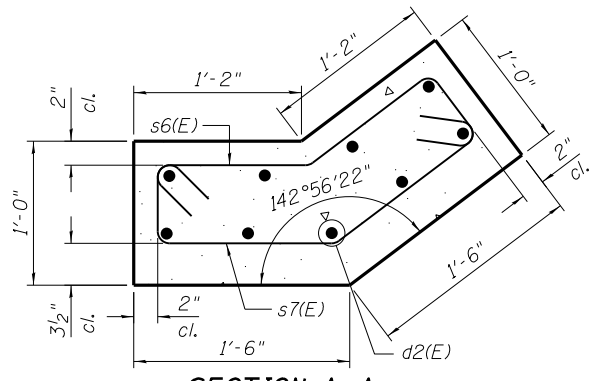
F.A.P. RTE.	SECTION	COUNTY	TOTAL SHEETS	SHEET NO.
*	(109) VB,(110) VB-5	SANGAMON	382	304
CONTRACT NO. 93733				
ILLINOIS FED. AID PROJECT				



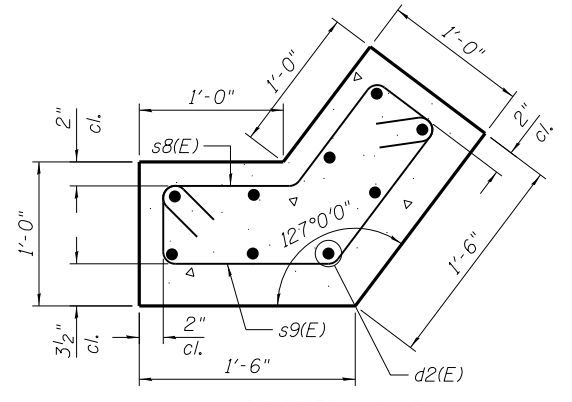
CABLE ANCHORAGE CONCRETE POST AT WALL BENDS - UNFOLDED VIEW
 Typ. of 4 Posts on Concrete Facing
 See Sheet 16 of 18 for Railing Connection Details



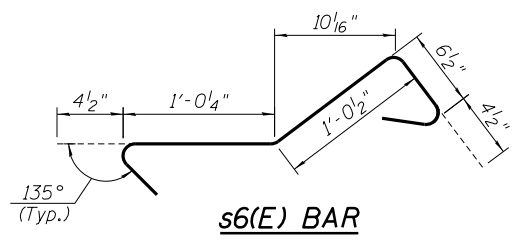
CABLE ANCHORAGE CONCRETE POST AT STEP IN WALL
 Typ. of 2 Posts on Concrete Facing
 See Sheet 16 of 18 for Railing Connection Details



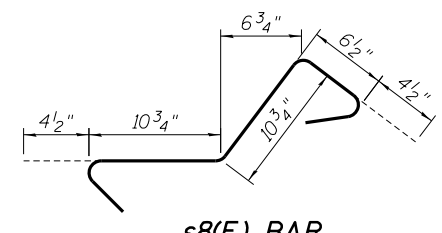
SECTION A-A
 West Wall - South Bend &
 East Wall - North Bend



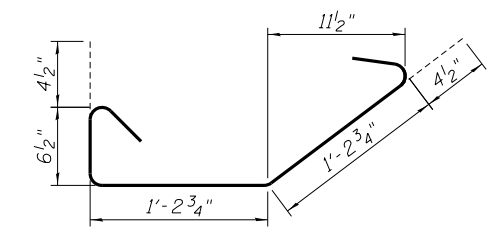
SECTION B-B
 West Wall - North Bend &
 East Wall - South Bend



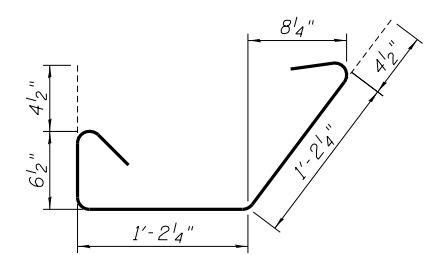
s6(E) BAR



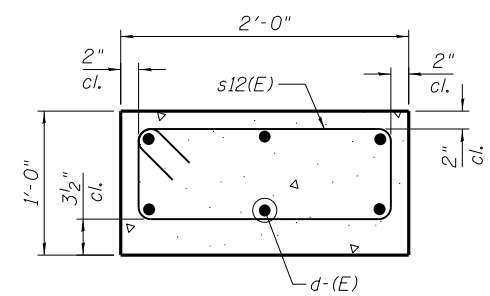
s8(E) BAR



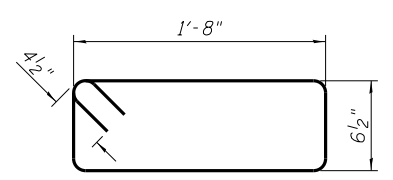
s7(E) BAR



s9(E) BAR



SECTION C-C



s10(E) BAR

BILL OF MATERIAL

Bar	No.	Size	Length	Shape	
d2(E)	48	#5	6'-10"	—	
s6(E)	10	#4	3'-4"	⌋	
s7(E)	10	#4	3'-9"	⌋	
s8(E)	10	#4	3'-1"	⌋	
s9(E)	10	#4	3'-8"	⌋	
s10(E)	10	#4	5'-2"	⌋	
Reinforcement Bars Epoxy Coated				Pound	470
Concrete Structures (Retaining Wall)				Cu. Yd.	1.9

Notes:

Railing posts shall be vertical.

Anchor rods shall be ASTM F1554, Gr. 55, galvanized steel all-thread (or an Engineer-approved alternate material) of the grade(s) and diameter(s) specified. The corresponding specified grade of AASHTO M314 anchor rods may be used in lieu of ASTM F1554. The anchor rods shall be hot-dipped galvanized according to AASHTO M232, Class C.

Tube segments shall have all corners ground to remove burrs or sharp projections.

All bolts, eyebolts, nuts and washers must satisfy the requirements of ASTM A307 Gr. A unless noted otherwise.

The anchor rods shall be installed according to Article 509.06 of the Standard Specifications. Embedment shall be 4" min. or according to the manufactures specifications whatever is greater.

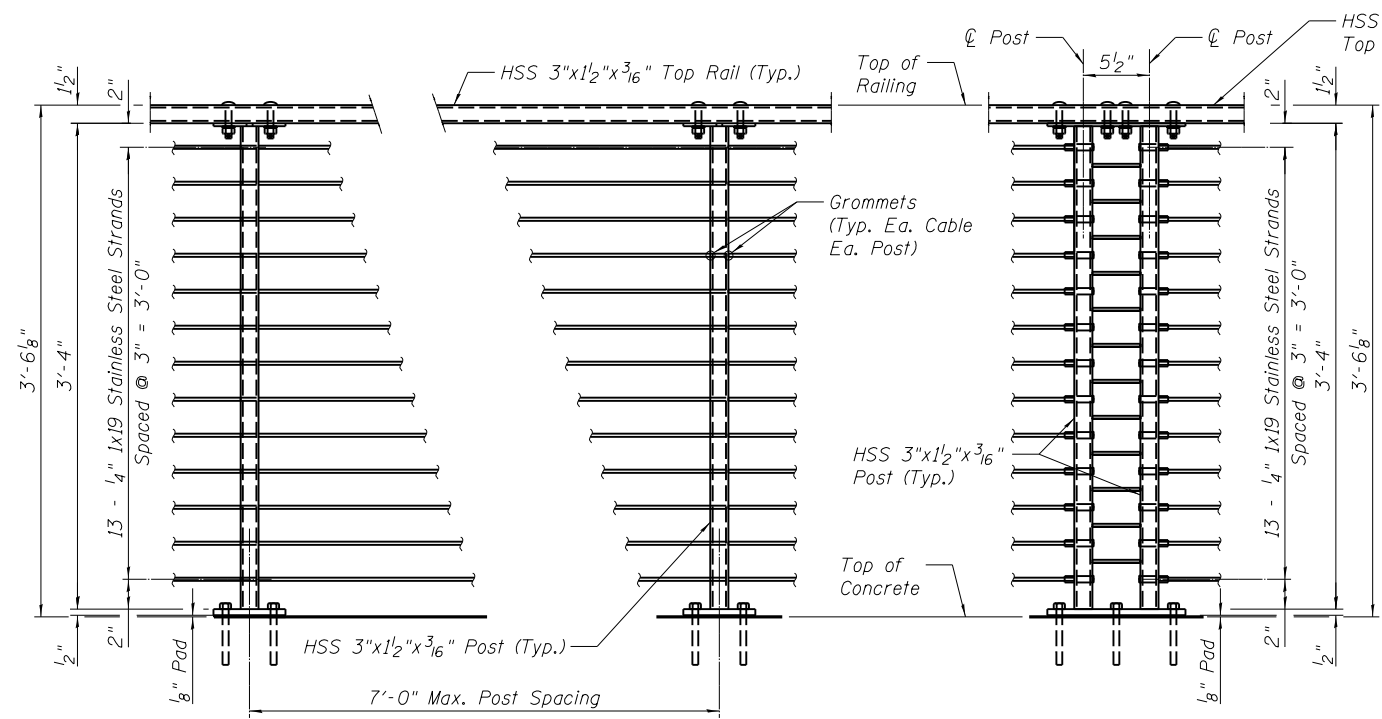
Structural steel plates and bars of the Steel Railing shall conform to the requirements of ASTM A36/36M.

Tubular steel posts shall be according to the requirements of ASTM A500, Grade B.

All steel rail members, with the exception of the stainless steel strand and fittings, shall be hot dipped galvanized according to 509.05 of the Standard Specifications.

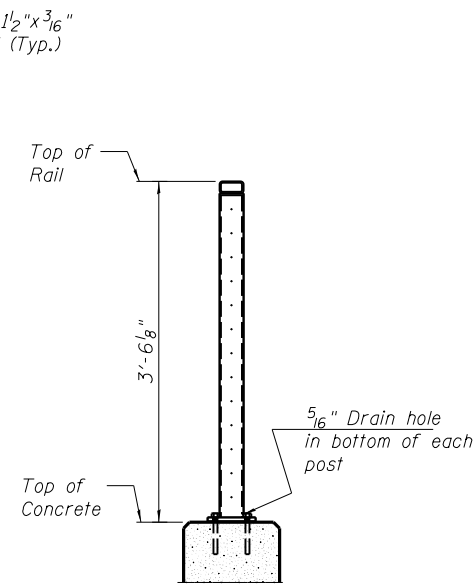
All studs shall be 1/2"φx4" granular or solid flux filled headed studs automatically end welded to plates.

See Sheets 8 thru 12 of 18 for rail post spacing.

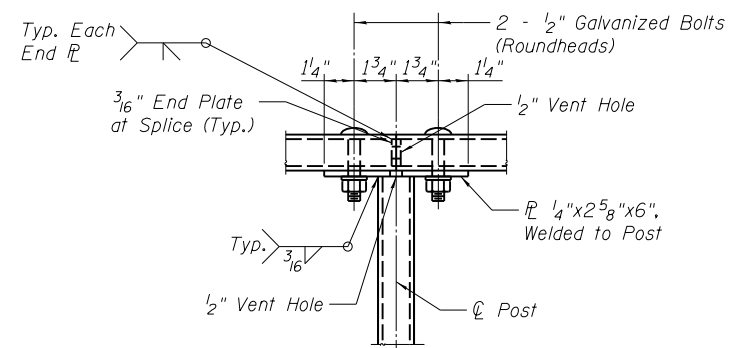


TYPICAL RAILING PANEL

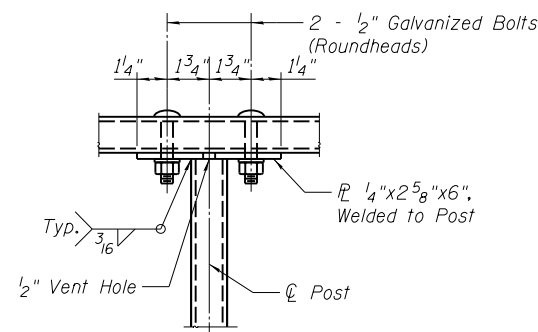
INTERMEDIATE TENSIONING POSTS



POST DETAIL



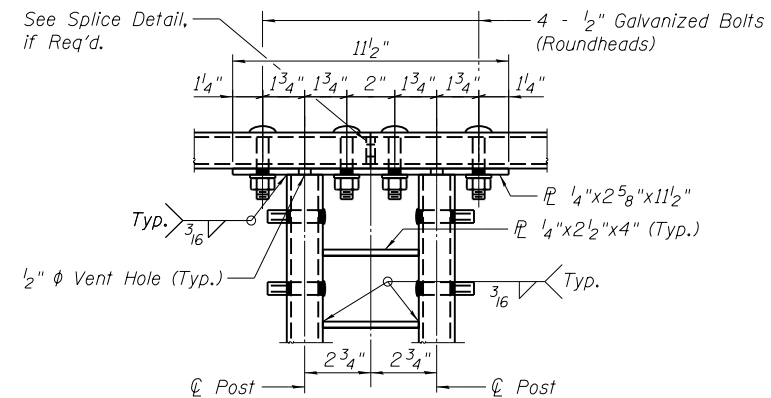
TOP RAIL - WITH SPLICE



TOP RAIL - NO SPLICE

TYPICAL RAIL/POST CONNECTION

(Strands not shown for clarity.)



TOP PLATE
INTERMEDIATE TENSIONING POSTS

BILL OF MATERIAL

ITEM	UNIT	TOTAL
Steel Railing (Special)	Foot	426

pw:\spsvr\306.hanson.dom\hanson Projects\Documents\09Jobs\09L0179B\CAD\Struct\6th\Sheet\09L0179B-6thRetainingWallPlans

USER NAME = Pop00275	DESIGNED - RGC	REVISED -
PLOT SCALE = 0.1667' / in.	CHECKED - KMS	REVISED -
PLOT DATE = 4/11/2019	DRAWN - EJM	REVISED -
	CHECKED - RGC	REVISED -

STATE OF ILLINOIS
DEPARTMENT OF TRANSPORTATION

RAILING DETAILS
RETAINING WALLS - 6TH STREET

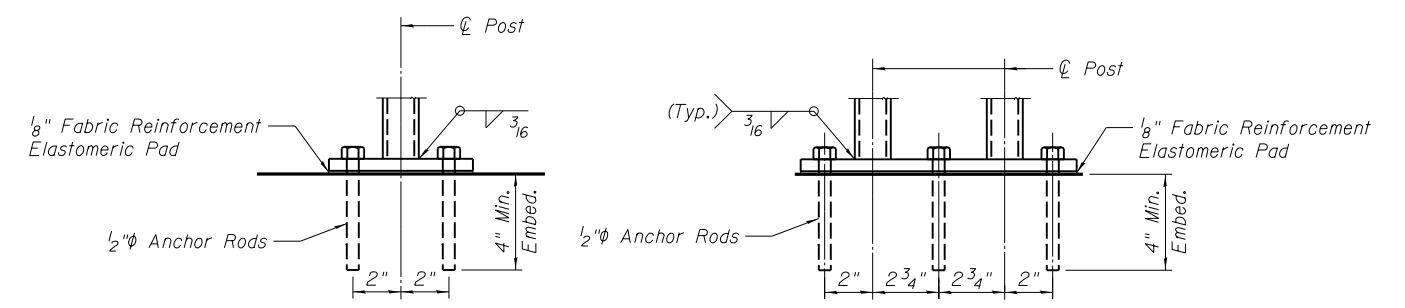
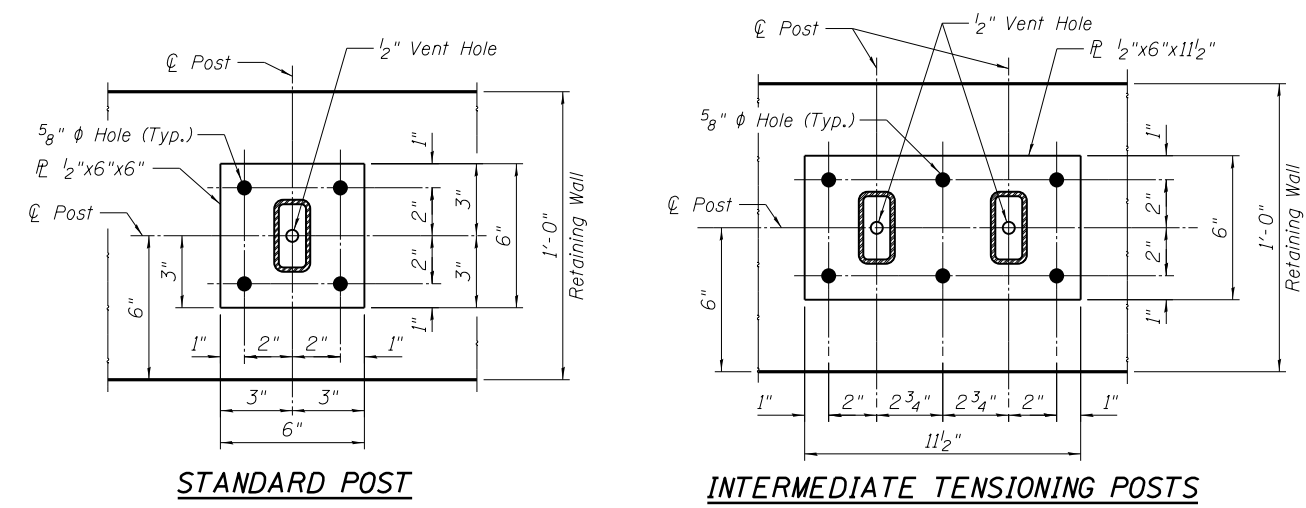
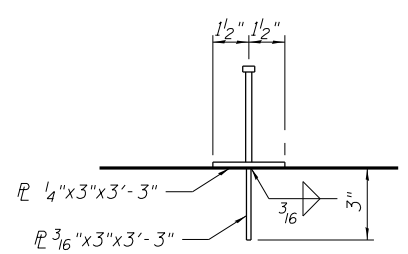
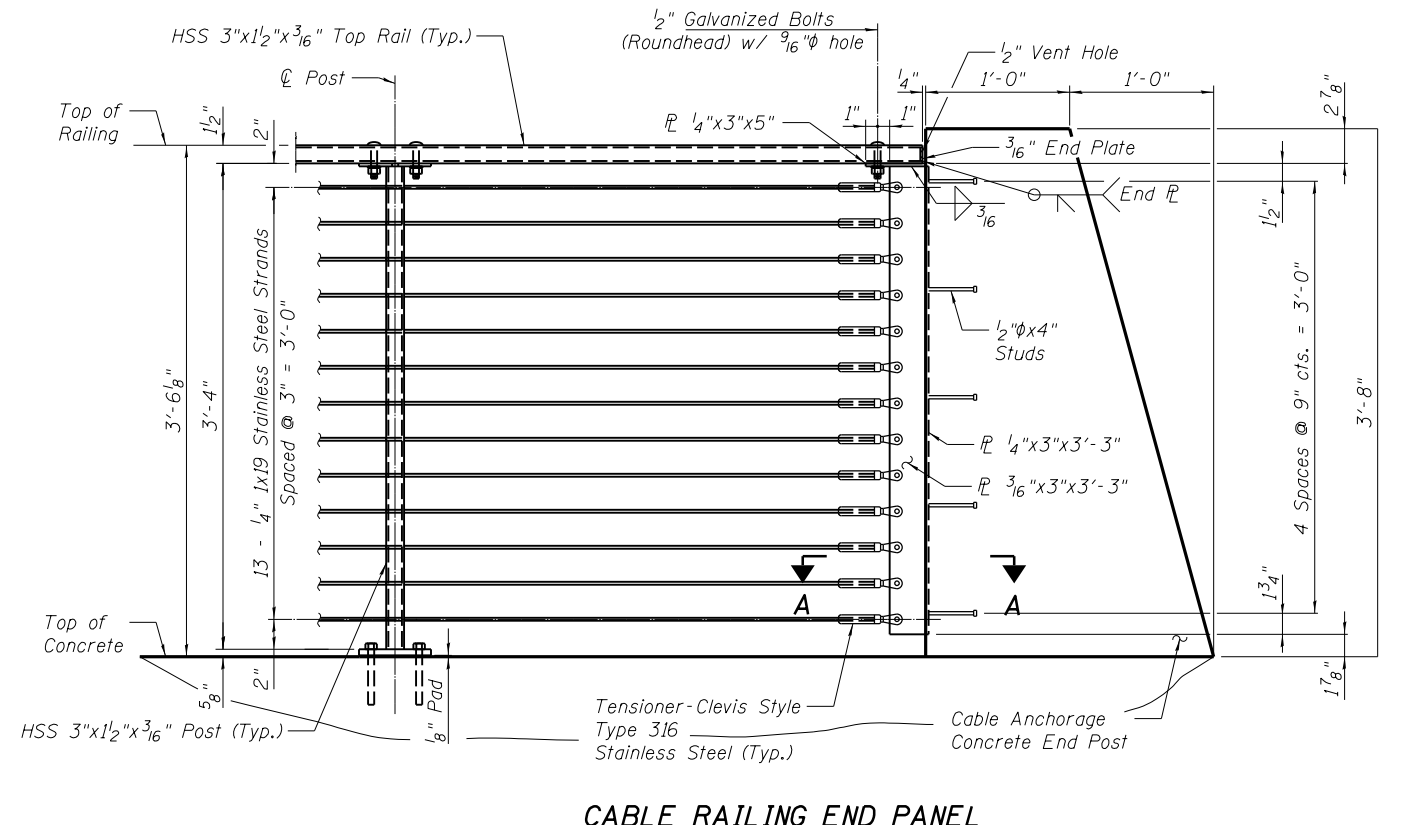
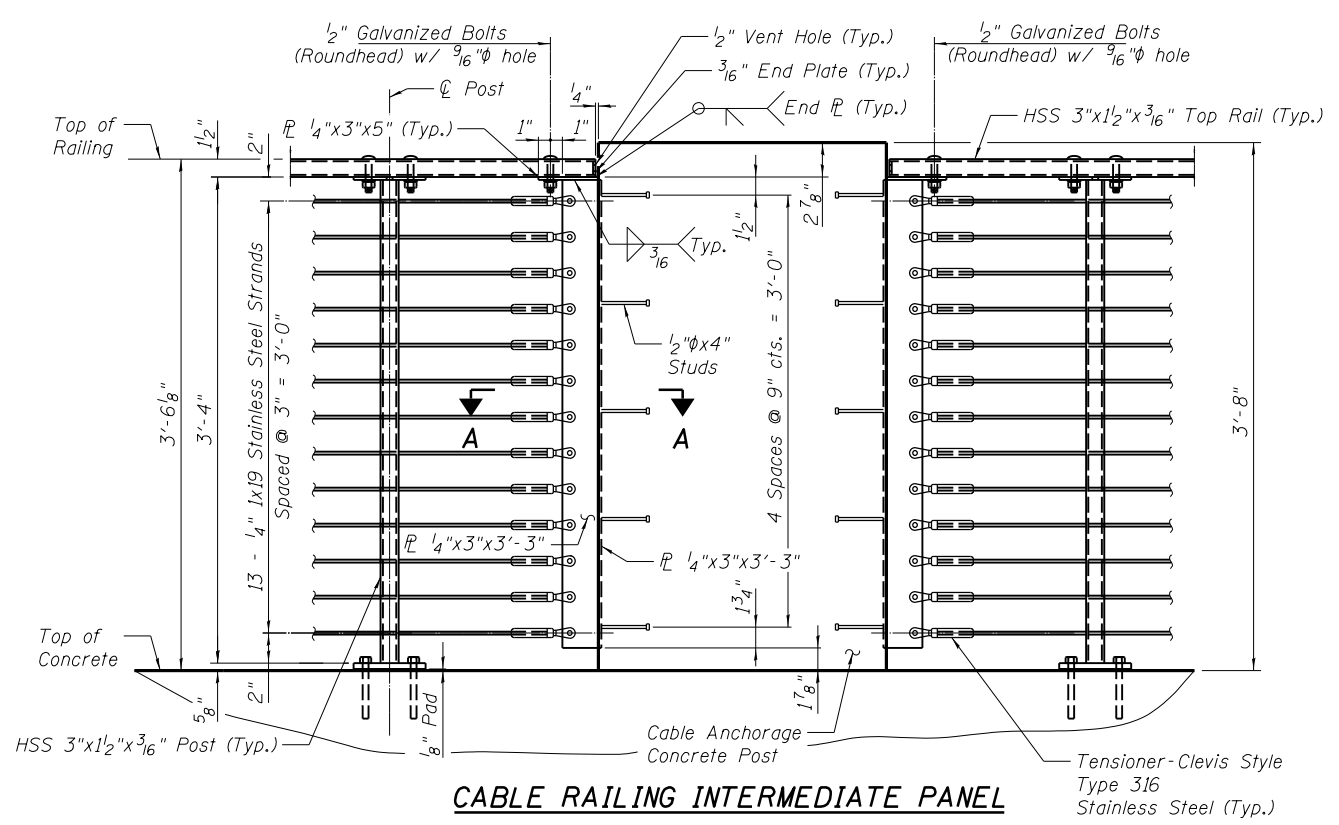
SHEET NO. 15 OF 18 SHEETS

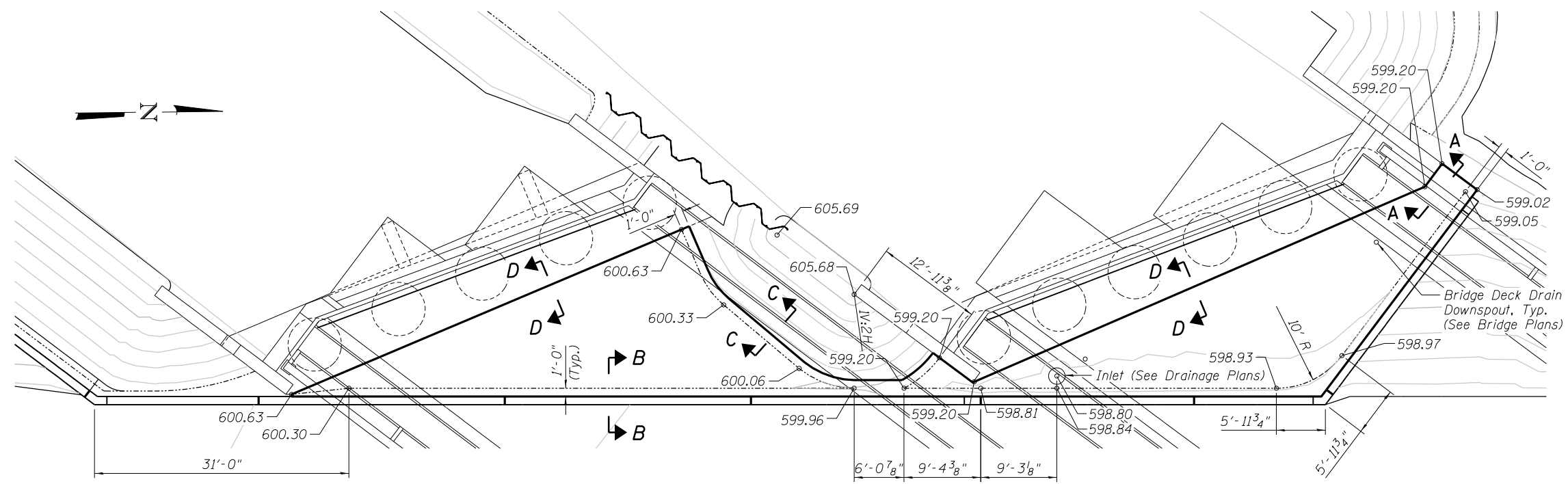
F.A.P. RTE.	SECTION	COUNTY	TOTAL SHEETS	SHEET NO.
	(109) VB,(110) VB-5	SANGAMON	382	306
			CONTRACT NO.	93733
ILLINOIS FED. AID PROJECT				

FINAL

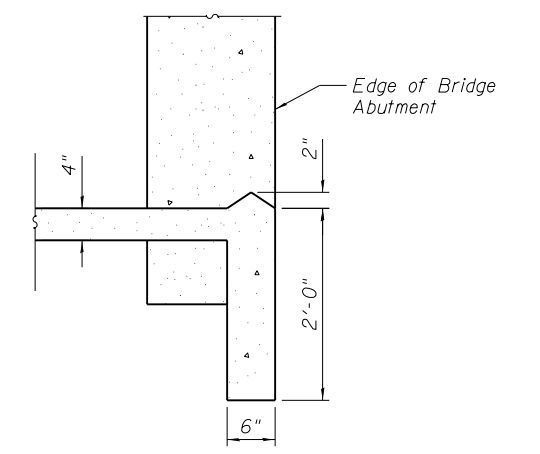


© Copyright Hanson Professional Services Inc., 2019

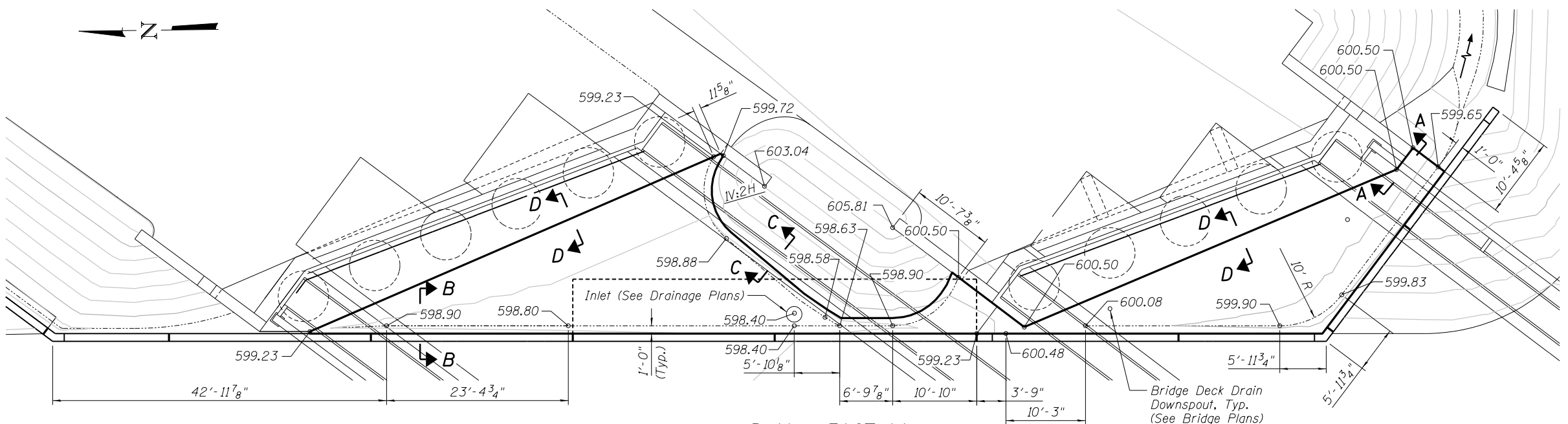




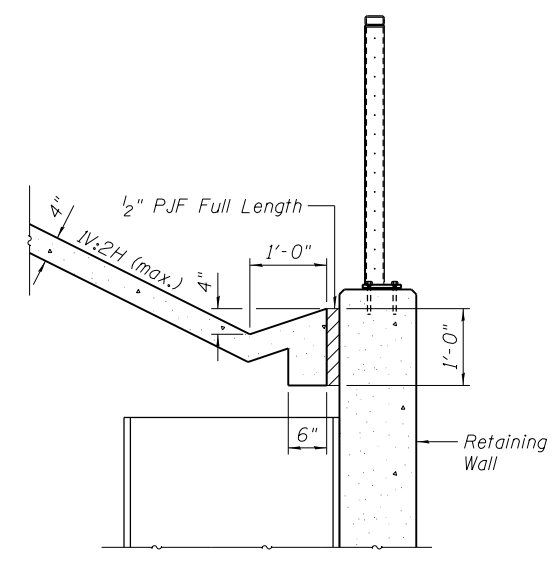
PLAN - WEST WALL



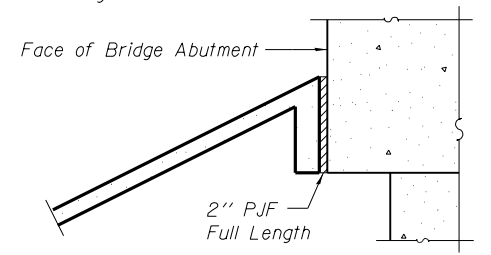
SECTION A-A



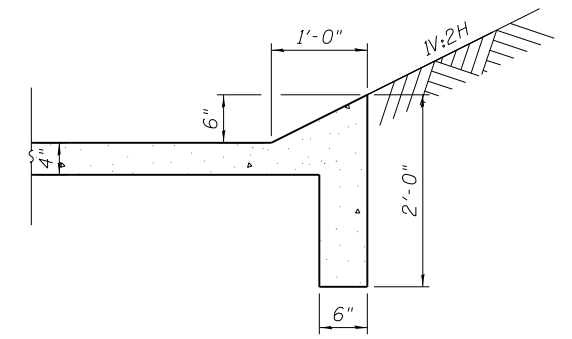
PLAN - EAST WALL



SECTION B-B



SECTION D-D



SECTION C-C

BILL OF MATERIAL

ITEM	UNIT	TOTAL
Slope Wall 4 Inch	Sq. Yd.	301

Note:
Sloped wall shall be reinforced with welded wire fabric,
6" x 6" - W4.0 x W4.0, weighing 58 lbs. per 100 sq. ft.

FINAL

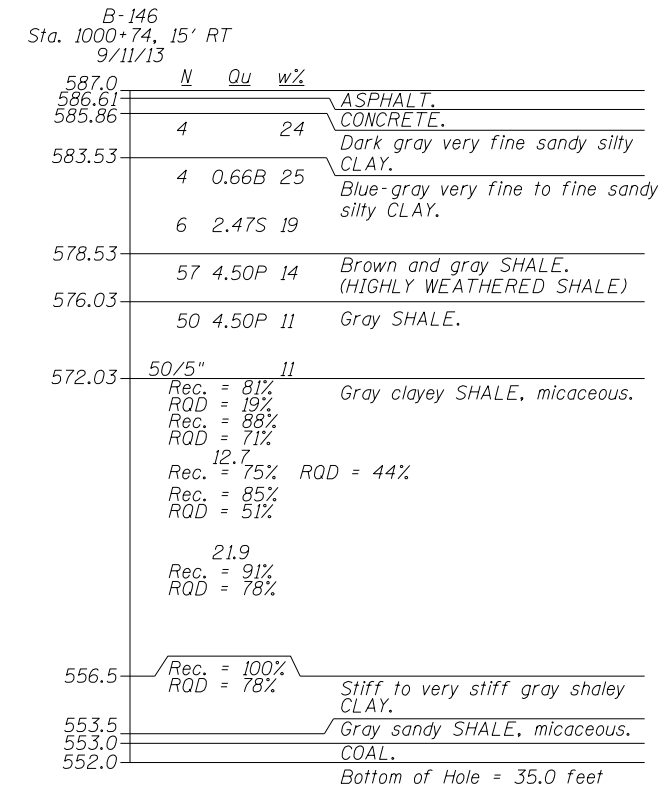
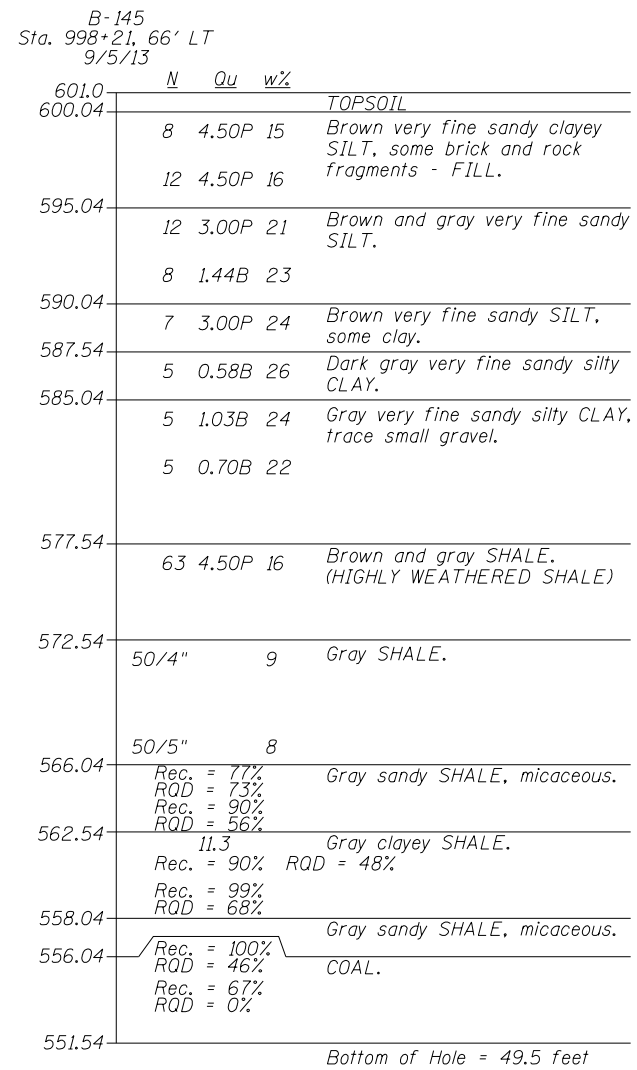


USER NAME = Pop00275	DESIGNED - RGC	REVISIONS
PLOT SCALE = 0.1667' / 1" =	CHECKED - KMS	REVISIONS
PLOT DATE = 4/11/2019	DRAWN - EJM	REVISIONS
	CHECKED - RGC	REVISIONS

STATE OF ILLINOIS
DEPARTMENT OF TRANSPORTATION

SLOPE WALL DETAILS
RETAINING WALLS - 6TH STREET
SHEET NO. 17 OF 18 SHEETS

F.A.P. RTE.	SECTION	COUNTY	TOTAL SHEETS	SHEET NO.
	(109) VB,(110) VB-5	SANGAMON	382	308
			CONTRACT NO. 93733	
ILLINOIS FED. AID PROJECT				



LEGEND

- N Standard Penetration Test N (blows/ft)
- Qu Unconfined Strength (tsf)
- w% Natural Moisture Content (%)

DD ▽ Water Surface Elevation Encountered in Boring
 558.10 ▽ DD = during drilling
 Oh = at completion
 24h = 24 hours after completion

DESIGNED	RGC	11/13/17
DRAWN	EJM	11/13/17
REVIEWED	RGC	11/13/17

pw:\spsvr\306.hanson.dom\hanson_projects\Documents\09Jobs\09L0179B\CAD\Struct\6th\Sheet\09L0179B-6thRetainingWallPlans



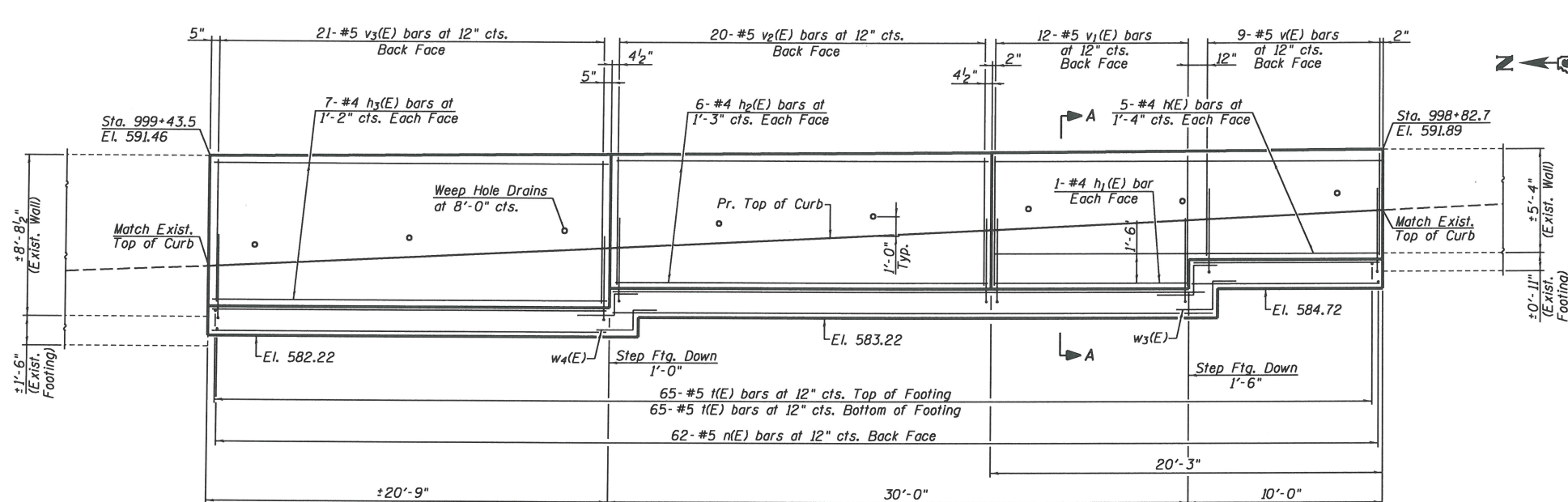
USER NAME = Pop00275	DESIGNED - RGC	REVISIONS
	CHECKED - KMS	REVISIONS
PLOT SCALE = 0.1667' / in.	DRAWN - EJM	REVISIONS
PLOT DATE = 4/11/2019	CHECKED - RGC	REVISIONS

**STATE OF ILLINOIS
DEPARTMENT OF TRANSPORTATION**

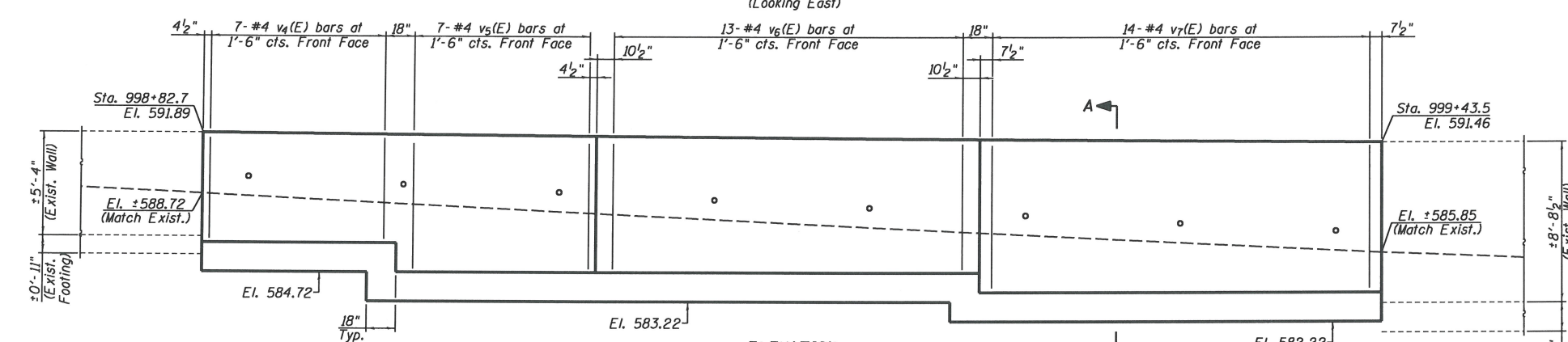
**SUBSURFACE DATA PROFILE
RETAINING WALLS - 6TH STREET**

SHEET NO. 18 OF 18 SHEETS

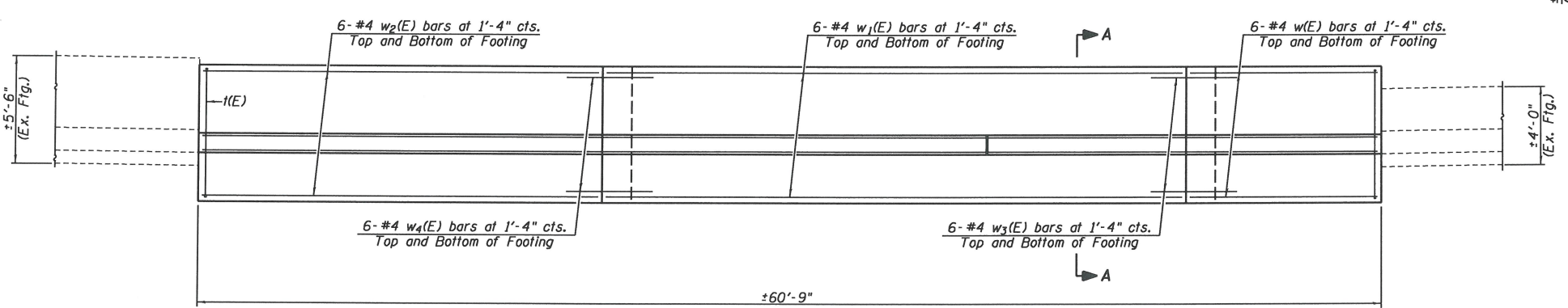
F.A.P. RTE.	SECTION	COUNTY	TOTAL SHEETS	SHEET NO.
•	(109) VB,(110) VB-5	SANGAMON	382	309
CONTRACT NO.			93733	
ILLINOIS FED. AID PROJECT				



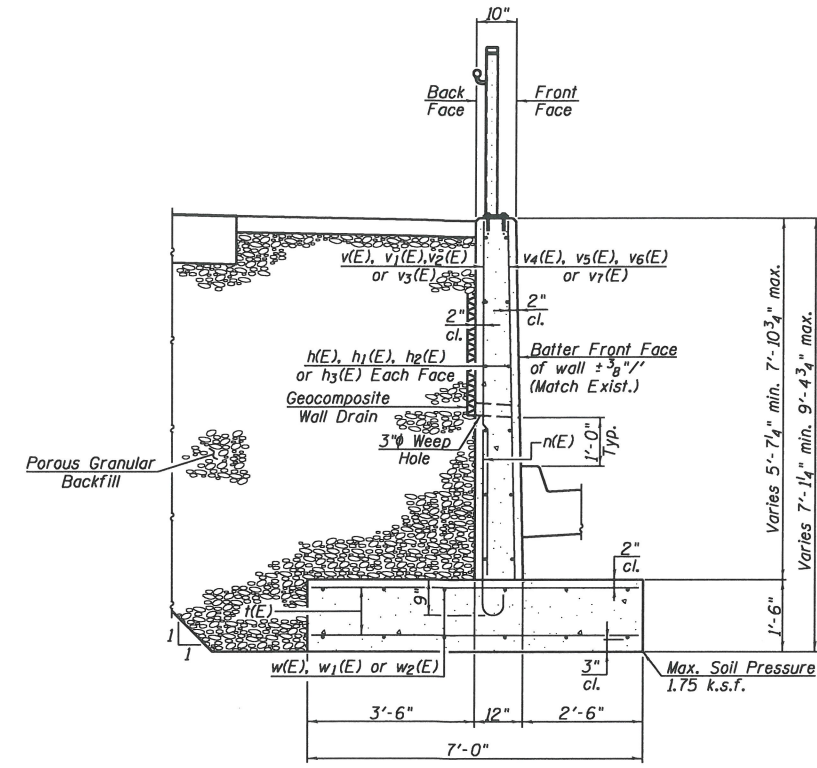
ELEVATION
(Looking East)



ELEVATION
(Looking West)



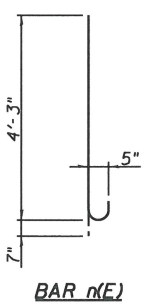
PLAN



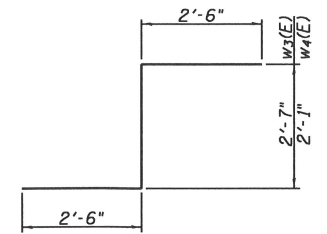
SECTION A-A

BILL OF MATERIAL

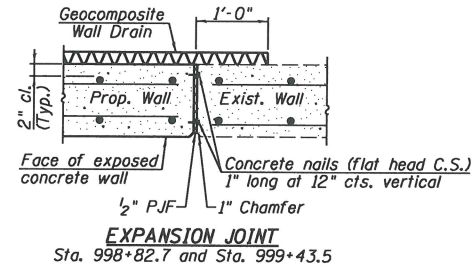
BAR	NO.	SIZE	LENGTH	SHAPE
n(E)	10	#4	19'-10"	—
h1(E)	2	#4	9'-11"	—
h2(E)	12	#4	19'-4"	—
h3(E)	14	#4	20'-5"	—
n(E)	62	#5	4'-10"	—
t(E)	130	#5	6'-8"	—
v(E)	9	#5	5'-3"	—
v1(E)	12	#5	6'-10"	—
v2(E)	20	#5	6'-7"	—
v3(E)	21	#5	7'-6"	—
v4(E)	7	#4	5'-5"	—
v5(E)	7	#4	6'-11"	—
v6(E)	13	#4	6'-9"	—
v7(E)	14	#4	7'-7"	—
w(E)	12	#4	9'-8"	—
w1(E)	12	#4	31'-2"	—
w2(E)	12	#4	21'-11"	—
w3(E)	12	#4	7'-1"	—
w4(E)	12	#4	7'-7"	—
Structure Excavation		Cu. Yd.	105	
Concrete Structures (Retaining Wall)		Cu. Yd.	38.8	
Reinforcement Bars (Epoxy Coated)		Pound	2950	
Geocomposite Wall Drains		Sq. Yd.	21	



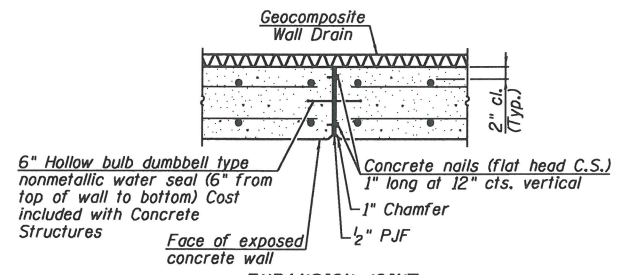
BAR n(E)



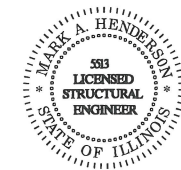
BARS w3(E) & w4(E)



EXPANSION JOINT
Sta. 998+82.7 and Sta. 999+43.5



EXPANSION JOINT
Sta. 999+02.95 and Sta. 999+22.7



Mark A. Henderson 4/11/19
Expires 11/30/2020

Notes:
Reinforcement bars designated (E) shall be epoxy coated.
Plan dimensions and details relative to existing plans are subject to nominal construction variations. The Contractor shall field verify existing dimensions and details affecting new construction and make necessary approved adjustments prior to construction or ordering of materials. Such variations shall not be cause for additional compensation for a change in scope of the work, however, the Contractor will be paid for the quantity actually furnished at the unit price bid for the work.
All exposed edges shall have a standard 3/4" chamfer.

DESIGNED	
DRAWN	
CHECKED	
REVIEWED	



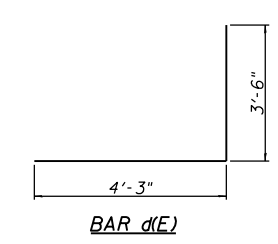
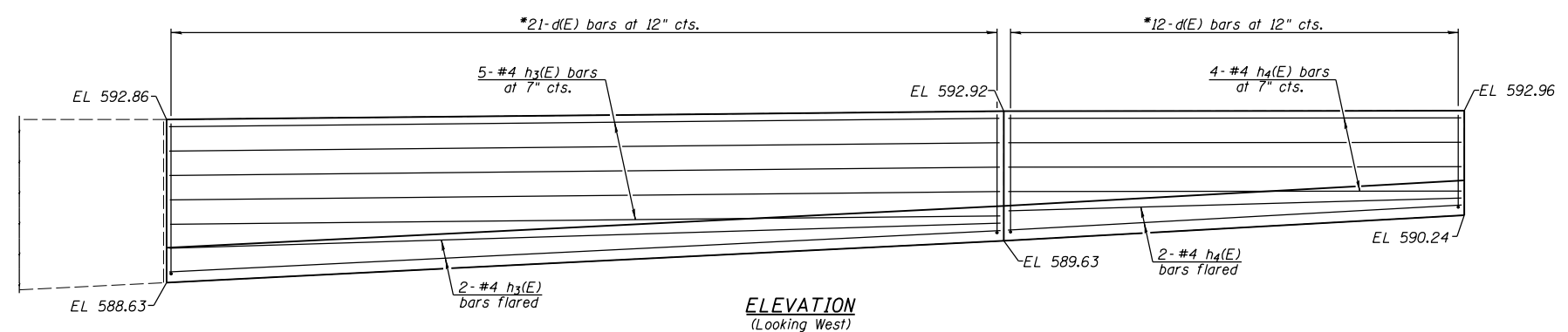
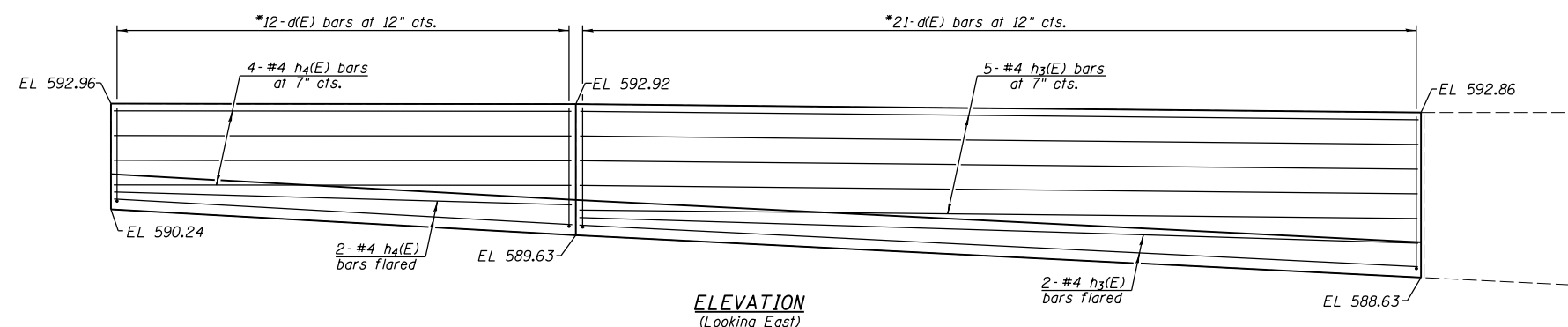
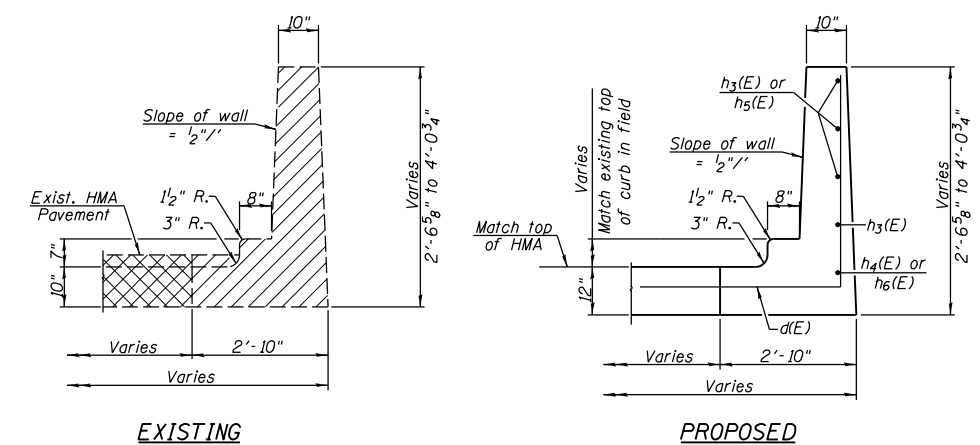
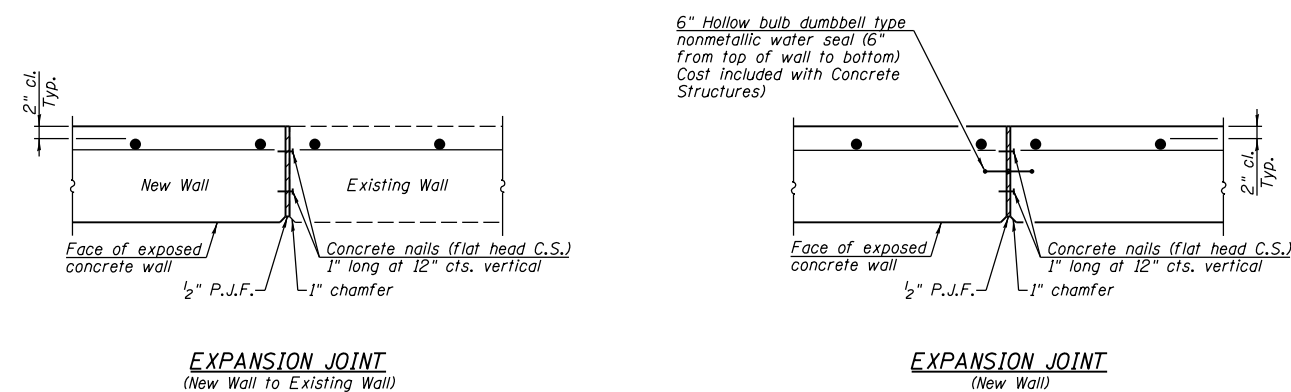
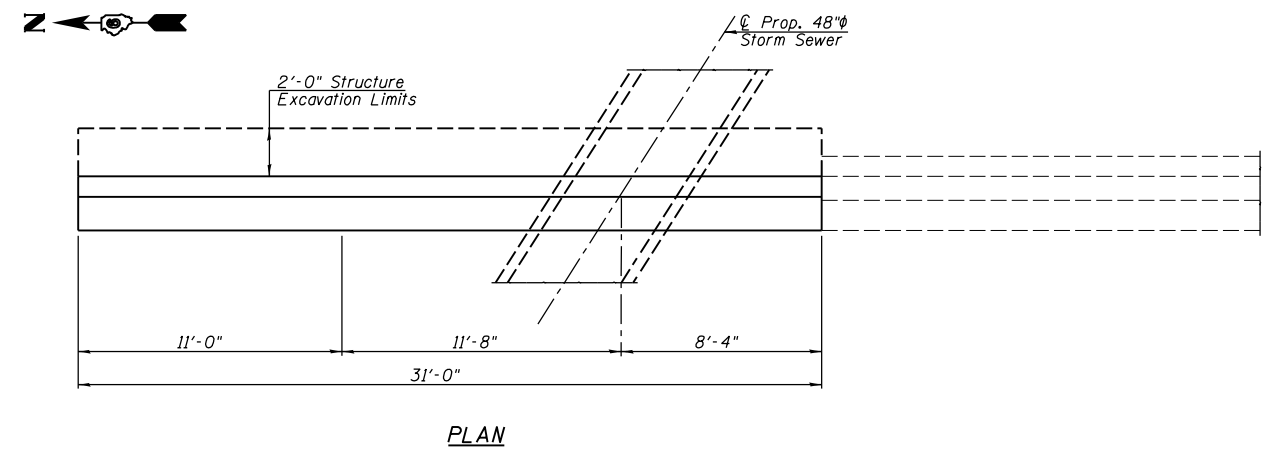
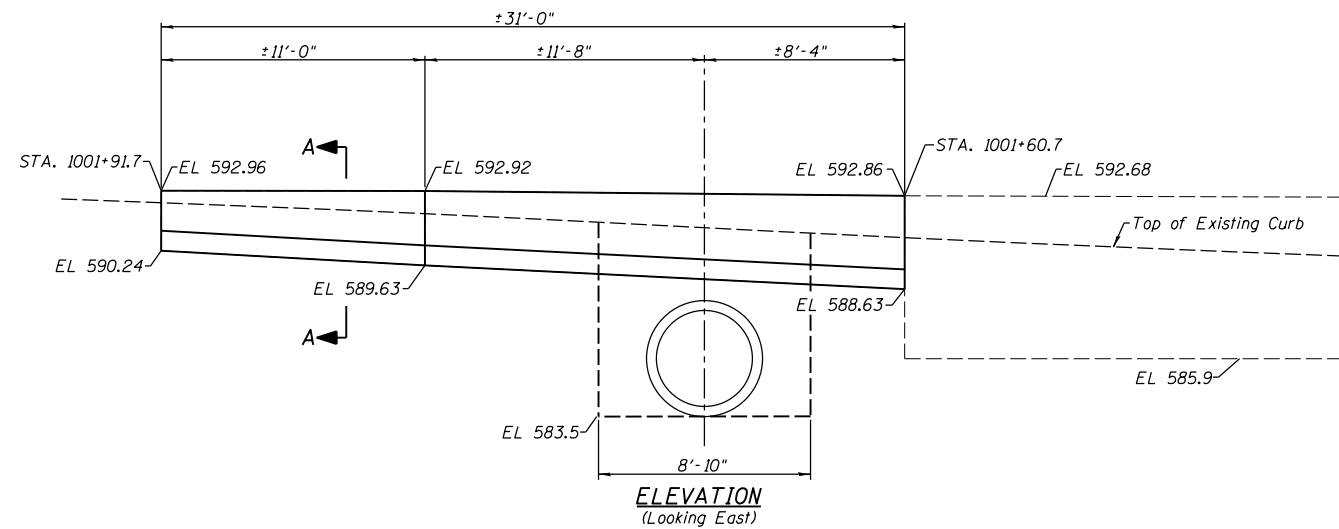
USER NAME = Pop0275	DESIGNED -	REVISIONS -
PLLOT SCALE = 8.0000' / 1"	DRAWN -	REVISIONS -
PLLOT DATE = 4/18/2019	CHECKED -	REVISIONS -
	DATE - 03/15/2019	REVISIONS -

STATE OF ILLINOIS
DEPARTMENT OF TRANSPORTATION

SPRINGFIELD RAIL IMPROVEMENTS PROJECT
SPRINGFIELD, SANGAMON COUNTY, ILLINOIS
RETAINING WALL - 6TH STREET/PRINCETON AVE.

SCALE: SHEET 1 OF 1 SHEETS STA. TO STA.

F.A.P. RTE.	SECTION	COUNTY	TOTAL SHEETS	SHEET NO.
	(109) VB,(110) VB-5	SANGAMON	382	310
	09L0179B	CONTRACT NO.	93733	
	666 & 666 ALT.	ILLINOIS FED. AID PROJECT		



SECTION A-A
(Combination Wall, Curb and Gutter)
Sta. 1001+60.7 to Sta. 1001+91.7

- Indicates Concrete Removal
 - Indicates Class C Patch

BILL OF MATERIAL

BAR	NO.	SIZE	LENGTH	SHAPE	
d(E)	33	#4	7'-9"	┌	
h3(E)	7	#4	19'-8"	—	
h4(E)	6	#4	10'-8"	—	
Structure Excavation					
Concrete Structures				Cu. Yd.	7.2
Reinforcement Bars (Epoxy Coated)				Pound	310
Concrete Removal				Cu. Yd.	5.7

Notes:

Reinforcement bars designated (E) shall be epoxy coated.

Plan dimensions and details relative to existing plans are subject to nominal construction variations. The Contractor shall field verify existing dimensions and details affecting new construction and make necessary approved adjustments prior to construction or ordering of materials. Such variations shall not be cause for additional compensation for a change in scope of the work, however, the Contractor will be paid for the quantity actually furnished at the unit price bid for the work.

All exposed edges shall have a standard 3/4" chamfer. Concrete Structures to be poured monolithically.

DESIGNED
DRAWN
CHECKED
DATE

V&K
Veenstra & Kimm, Inc.
Springfield, IL Phone: (217)544-8033

USER NAME = Pop00275
DESIGNED -
DRAWN -
CHECKED -
DATE - 03/15/2019

REVISIONS:
REVISED -
REVISED -
REVISED -
REVISED -

STATE OF ILLINOIS
DEPARTMENT OF TRANSPORTATION

SPRINGFIELD RAIL IMPROVEMENTS PROJECT
SPRINGFIELD, SANGAMON COUNTY, ILLINOIS
BARRIER-RETAINING WALL - 6TH STREET

SCALE: SHEET 1 OF 1 SHEETS STA. TO STA.

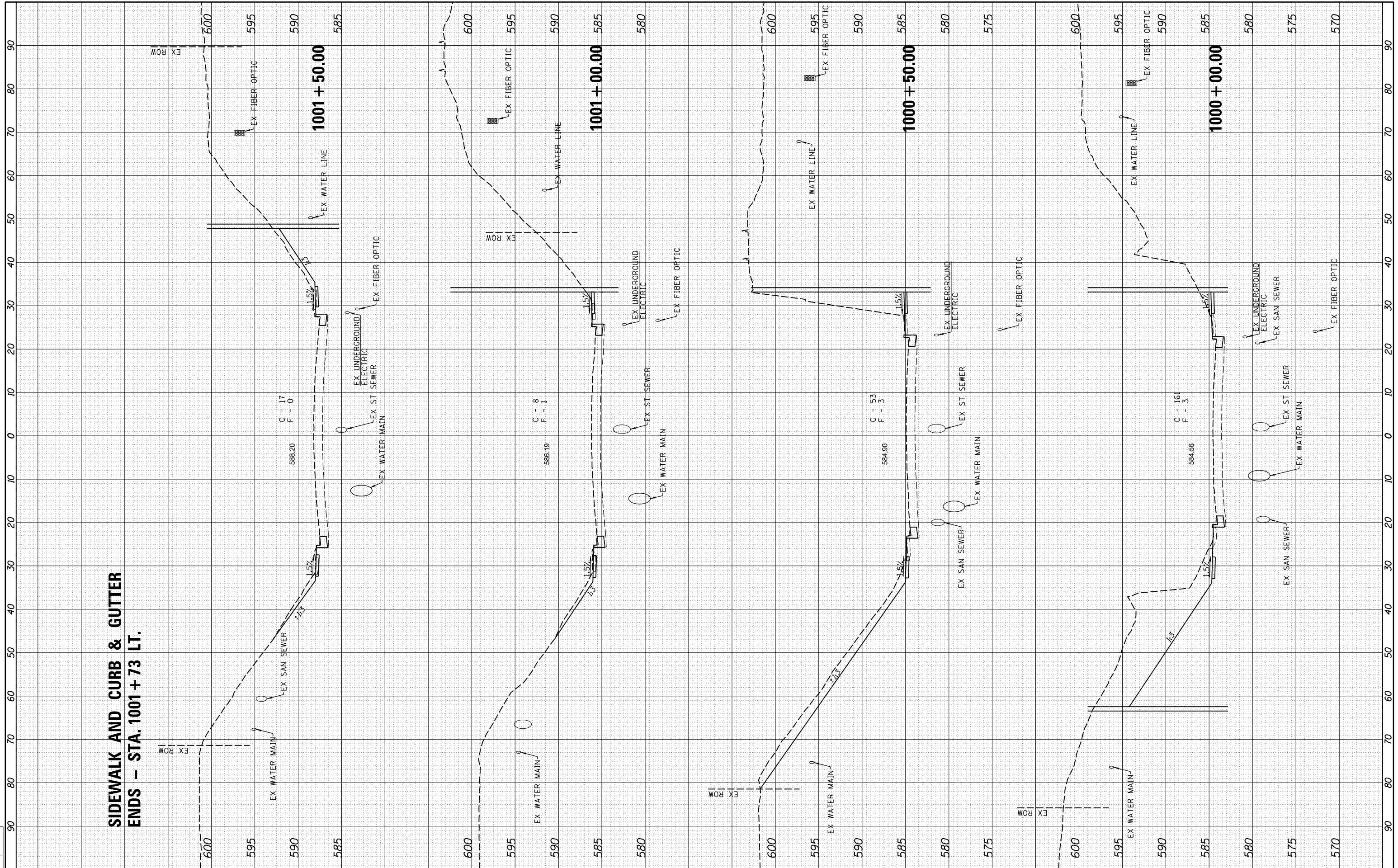
F.A.P. RTE.	SECTION	COUNTY	TOTAL SHEETS	SHEET NO.
• (109) VB,(110) VB-5	09L0179B	SANGAMON	382	311
• 666 & 666 ALT.	ILLINOIS FED. AID PROJECT			CONTRACT NO. 93733

FINAL SURVEY NO.	SURVEYED PLOTTED TEMPLATE AREAS CHECKED	BY	DATE

ORIGINAL SURVEY NO.	SURVEYED PLOTTED TEMPLATE AREAS CHECKED	BY	DATE

DESIGNED	DRAWN	CHECKED

**SIDEWALK AND CURB & GUTTER
ENDS - STA. 1001+73 LT.**



USER NAME = Pop00275	DESIGNED -	REVISD -
PLOT SCALE = 20.0000' / in.	DRAWN -	REVISD -
PLOT DATE = 4/11/2019	CHECKED -	REVISD -
	DATE - 03/15/2019	REVISD -

**STATE OF ILLINOIS
DEPARTMENT OF TRANSPORTATION**

**SPRINGFIELD RAIL IMPROVEMENTS PROJECT
SPRINGFIELD, SANGAMON COUNTY, ILLINOIS
CROSS SECTIONS - 5TH STREET**

SCALE: SHEET 2 OF 3 SHEETS STA. 1000+00 TO STA. 1001+50

F.A.P. RTE.	SECTION	COUNTY	TOTAL SHEETS	SHEET NO.
	(109) VB,(110) VB-5	SANGAMON	382	313
	09L0179B	CONTRACT NO.	93733	
*666 & 666 ALT. ILLINOIS FED. AID PROJECT				

FINAL SURVEY NO.	SURVEYED PLOTTED TEMPLATE AREAS CHECKED	BY	DATE

ORIGINAL SURVEY NO.	SURVEYED PLOTTED TEMPLATE AREAS CHECKED	BY	DATE

DESIGNED	
DRAWN	
CHECKED	



USER NAME = Pop00275
 PLOT SCALE = 20.0000' / in.
 PLOT DATE = 4/11/2019

DESIGNED -
 DRAWN -
 CHECKED -
 DATE - 03/15/2019

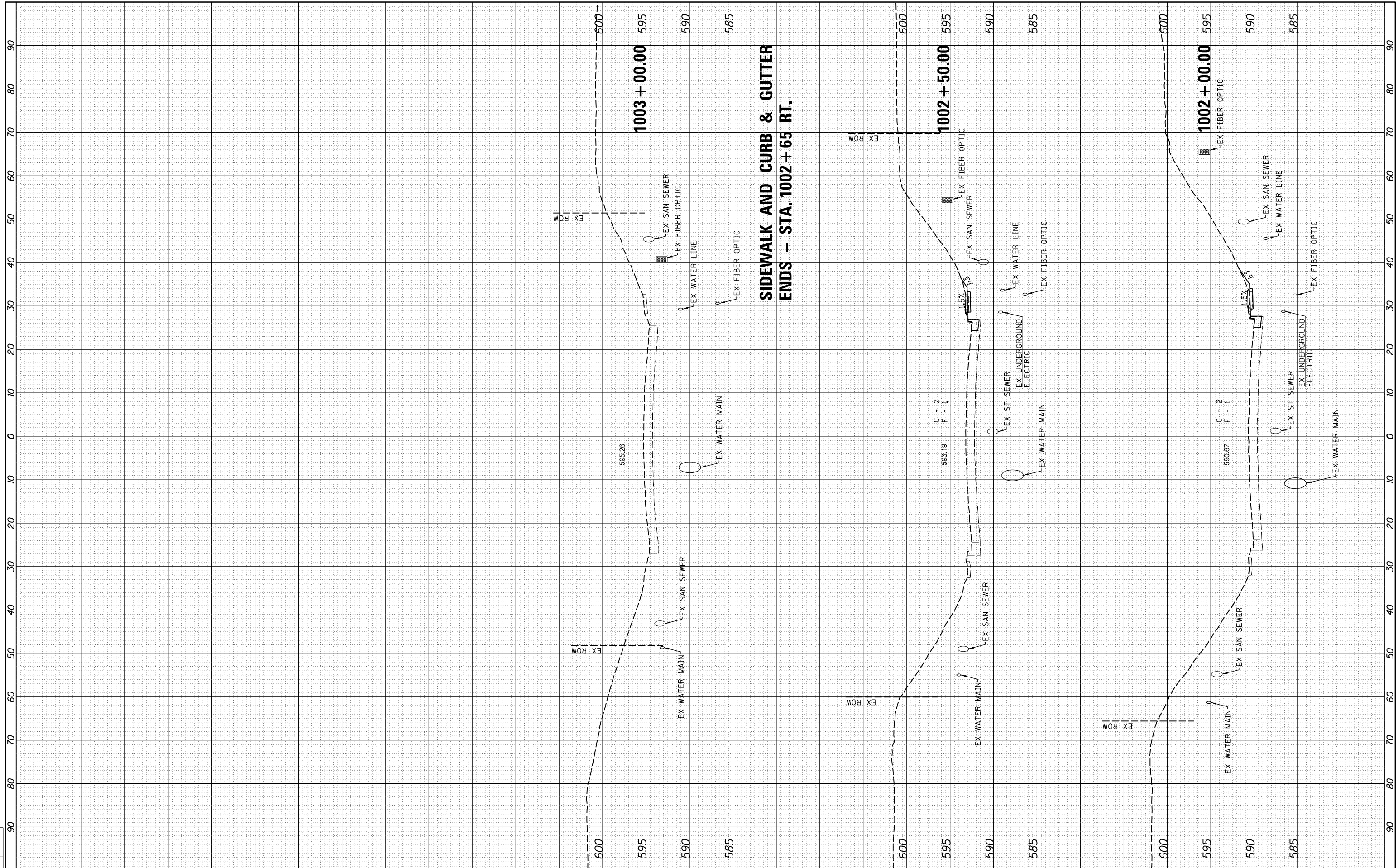
REVISED -
 REVISED -
 REVISED -
 REVISED -

**STATE OF ILLINOIS
 DEPARTMENT OF TRANSPORTATION**

**SPRINGFIELD RAIL IMPROVEMENTS PROJECT
 SPRINGFIELD, SANGAMON COUNTY, ILLINOIS
 CROSS SECTIONS - 5TH STREET**

SCALE: SHEET 3 OF 3 SHEETS STA. 1002+00 TO STA. 1003+00

F.A.P. RTE.	SECTION	COUNTY	TOTAL SHEETS	SHEET NO.
	(109) VB,(110) VB-5	SANGAMON	382	314
	09L0179B			
				CONTRACT NO. 93733



**SIDEWALK AND CURB & GUTTER
 ENDS - STA. 1002+65 RT.**

FINAL SURVEY NO.	SURVEYED PLOTTED TEMPLATE AREAS CHECKED	BY	DATE

ORIGINAL SURVEY NO.	SURVEYED PLOTTED TEMPLATE AREAS CHECKED	BY	DATE

DESIGNED
DRAWN
CHECKED



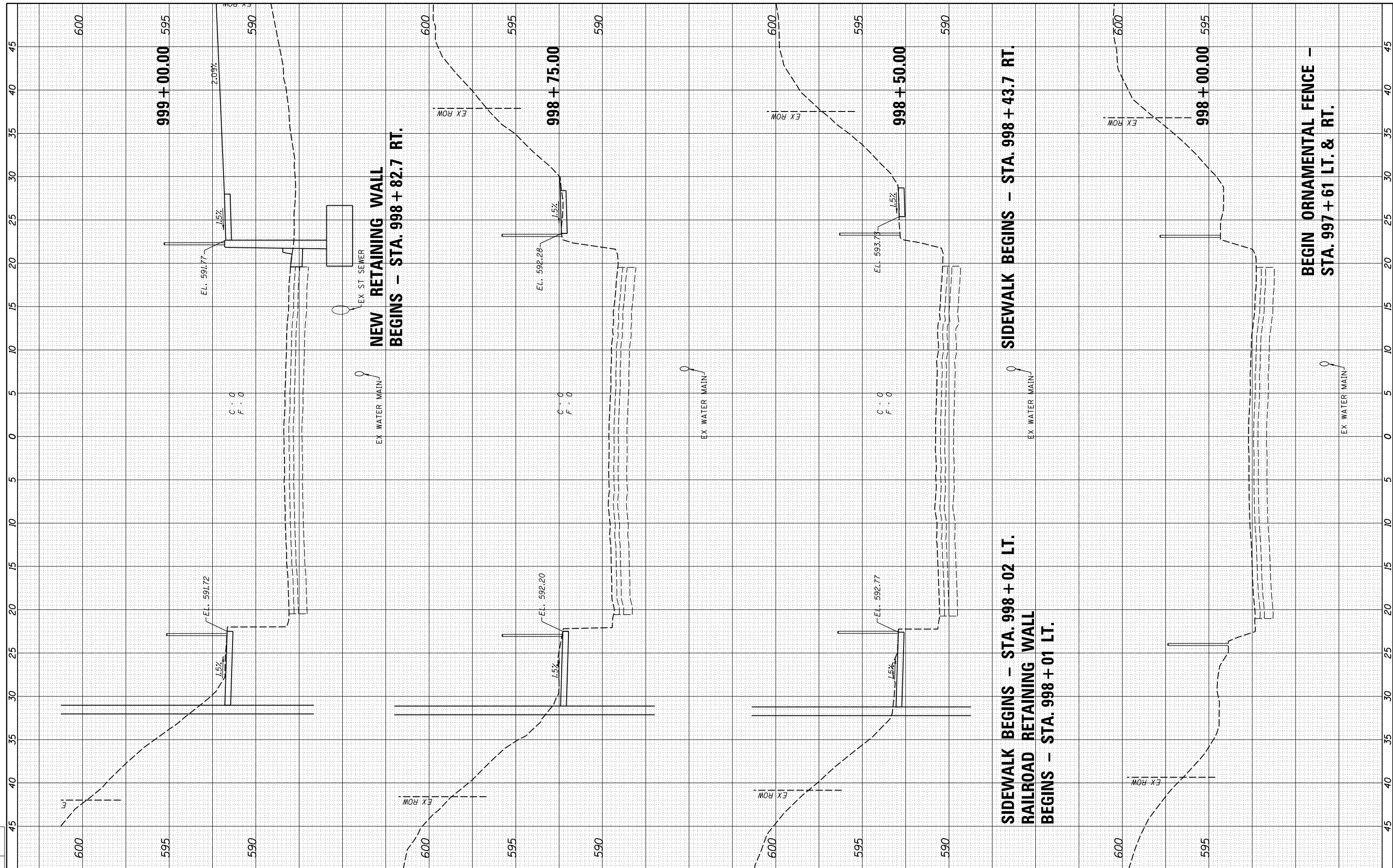
USER NAME = Pop00275	DESIGNED -	REVISED -
PLOT SCALE = 10.0000' / 1"	DRAWN -	REVISED -
PLOT DATE = 4/11/2019	CHECKED -	REVISED -
DATE = 03/15/2019	DATE -	REVISED -

STATE OF ILLINOIS
DEPARTMENT OF TRANSPORTATION

SPRINGFIELD RAIL IMPROVEMENTS PROJECT
SPRINGFIELD, SANGAMON COUNTY, ILLINOIS
CROSS SECTIONS - 6TH STREET

SCALE: SHEET 1 OF 4 SHEETS STA. 997+61 TO STA. 999+00

F.A.P. RTE.	SECTION	COUNTY	TOTAL SHEETS	SHEET NO.
•	(109) VB,(110) VB-5	SANGAMON	382	315
	09L0179B		CONTRACT NO.	93733
	*666 & 666 ALT.	ILLINOIS FED. AID PROJECT		



FINAL SURVEY NO.	SURVEYED PLOTTED TEMPLATE AREAS CHECKED	BY	DATE

ORIGINAL SURVEY NO.	SURVEYED PLOTTED TEMPLATE AREAS CHECKED	BY	DATE

DESIGNED
DRAWN
CHECKED



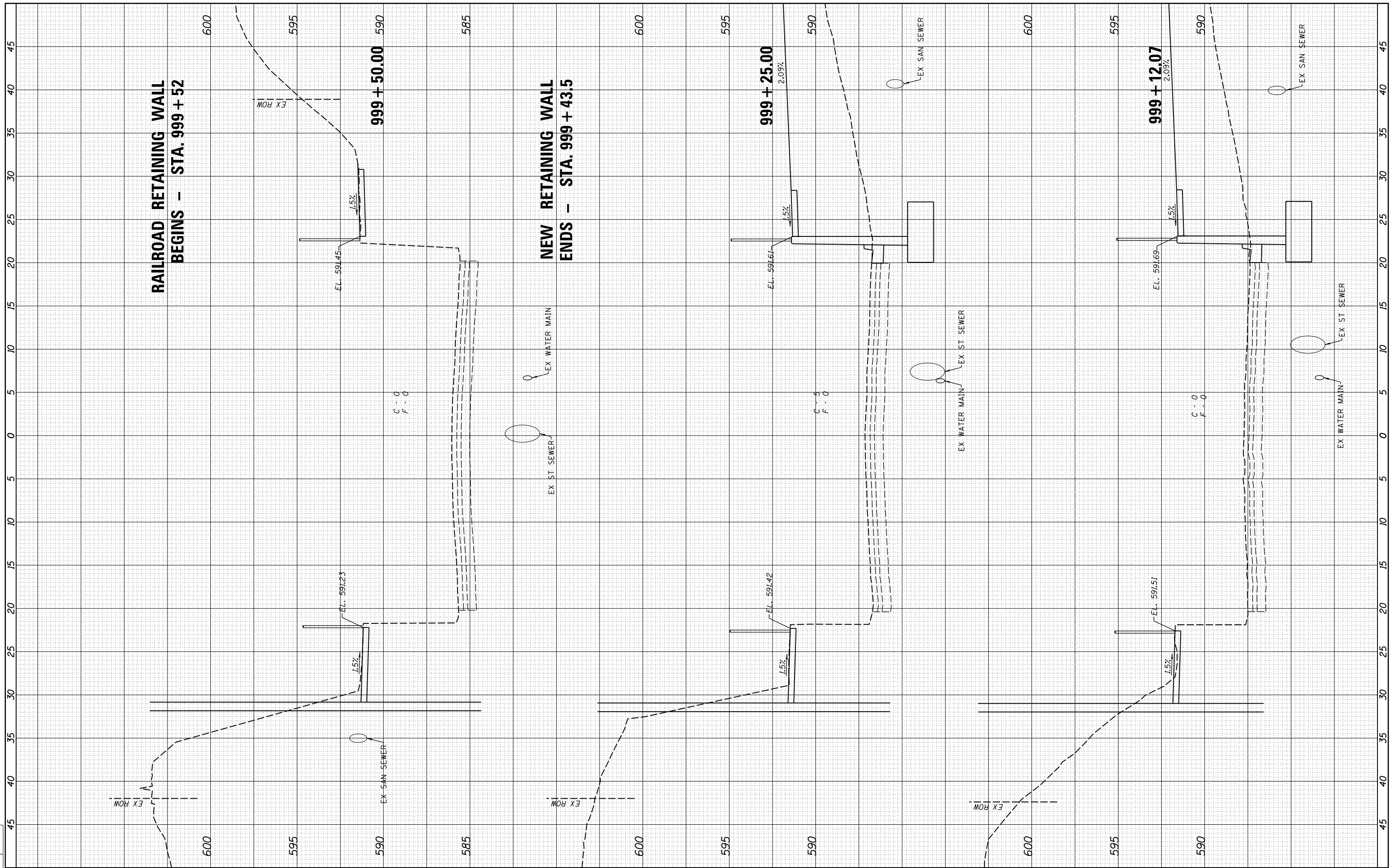
USER NAME = Pop00275	DESIGNED -	REVISED -
PLOT SCALE = 10.0000' / in.	DRAWN -	REVISED -
PLOT DATE = 4/11/2019	CHECKED -	REVISED -
	DATE - 03/15/2019	REVISED -

STATE OF ILLINOIS
DEPARTMENT OF TRANSPORTATION

SPRINGFIELD RAIL IMPROVEMENTS PROJECT
SPRINGFIELD, SANGAMON COUNTY, ILLINOIS
CROSS SECTIONS - 6TH STREET

F.A.P. RTE.	SECTION	COUNTY	TOTAL SHEETS	SHEET NO.
•	(109) VB,(110) VB-5	SANGAMON	382	316
	09L0179B	CONTRACT NO.	93733	
*666 & 666 ALT. ILLINOIS FED. AID PROJECT				

SCALE: SHEET 2 OF 4 SHEETS STA. 999+12.07 TO STA. 999+52



FINAL SURVEY	SURVEYED	BY	DATE
NOTE BOOK	PLOTTED		
NO.	TEMPLATE		
	AREAS CHECKED		
	AREAS CHECKED		

ORIGINAL SURVEY	SURVEYED	BY	DATE
NOTE BOOK	PLOTTED		
NO.	TEMPLATE		
	AREAS CHECKED		
	AREAS CHECKED		

DESIGNED
DRAWN
CHECKED



USER NAME = Pop00275
PLOT SCALE = 10.0000' / in.
PLOT DATE = 4/11/2019

DESIGNED -
DRAWN -
CHECKED -
DATE - 03/15/2019

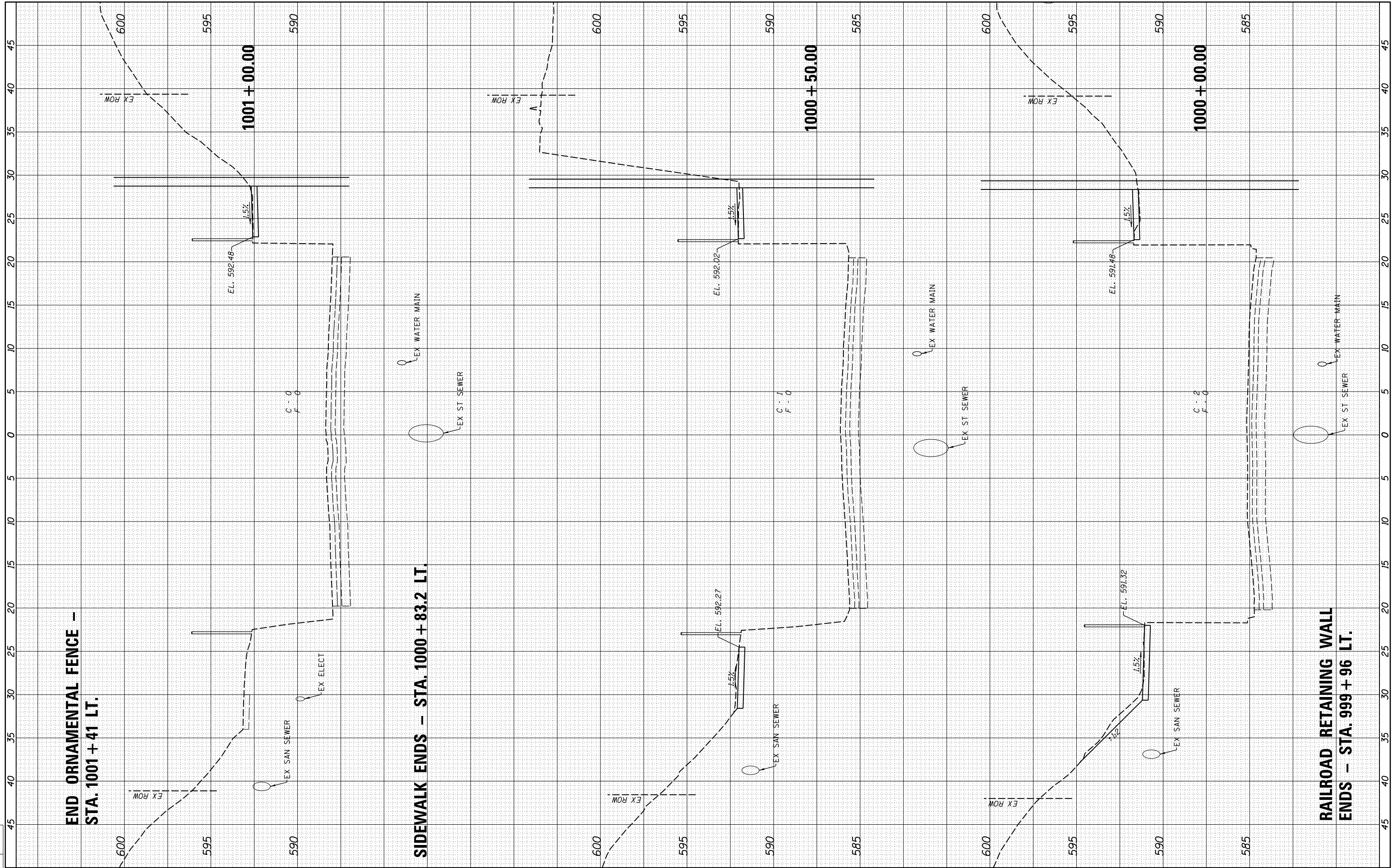
REVISED -
REVISED -
REVISED -
REVISED -

STATE OF ILLINOIS
DEPARTMENT OF TRANSPORTATION

SPRINGFIELD RAIL IMPROVEMENTS PROJECT
SPRINGFIELD, SANGAMON COUNTY, ILLINOIS
CROSS SECTIONS - 6TH STREET

SCALE: SHEET 3 OF 4 SHEETS STA. 1000+00 TO STA. 1001+00

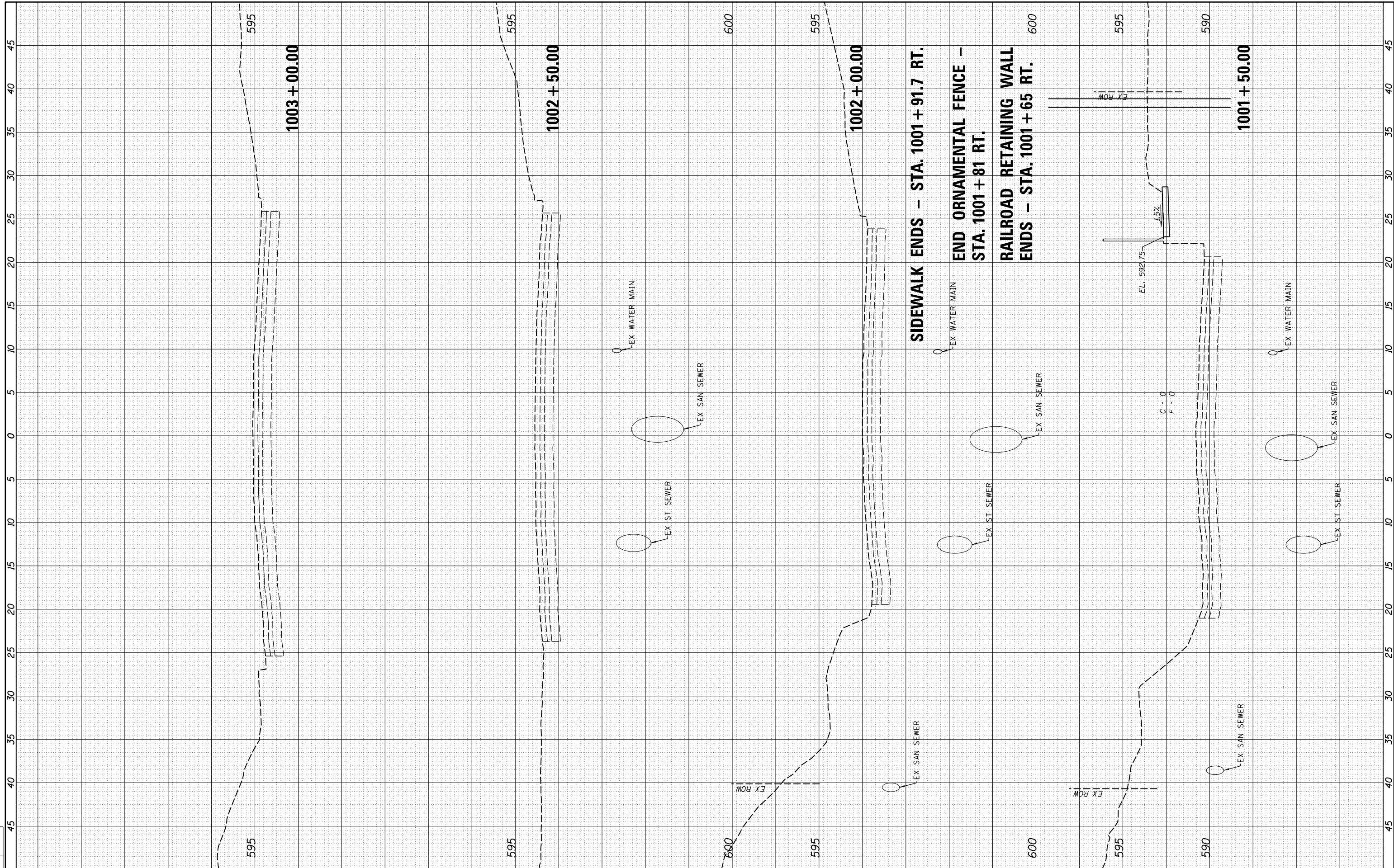
F.A.P. RTE.	SECTION	COUNTY	TOTAL SHEETS	SHEET NO.
	(109) VB,(110) VB-5	SANGAMON	382	317
	09L0179B			CONTRACT NO. 93733
				*666 & 666 ALT. ILLINOIS FED. AID PROJECT



FINAL SURVEY NO.	SURVEYED BY	DATE

ORIGINAL SURVEY NO.	SURVEYED BY	DATE

DESIGNED	BY	DATE
DRAWN		
CHECKED		



USER NAME = Pop00275	DESIGNED -	REVISED -
PLOT SCALE = 10.0000' / in.	DRAWN -	REVISED -
PLOT DATE = 4/11/2019	CHECKED -	REVISED -
	DATE - 03/15/2019	REVISED -

STATE OF ILLINOIS
DEPARTMENT OF TRANSPORTATION

SPRINGFIELD RAIL IMPROVEMENTS PROJECT
SPRINGFIELD, SANGAMON COUNTY, ILLINOIS
CROSS SECTIONS - 6TH STREET

F.A.P. RTE.	SECTION	COUNTY	TOTAL SHEETS	SHEET NO.
	(109) VB,(110) VB-5	SANGAMON	382	318
	09L0179B			

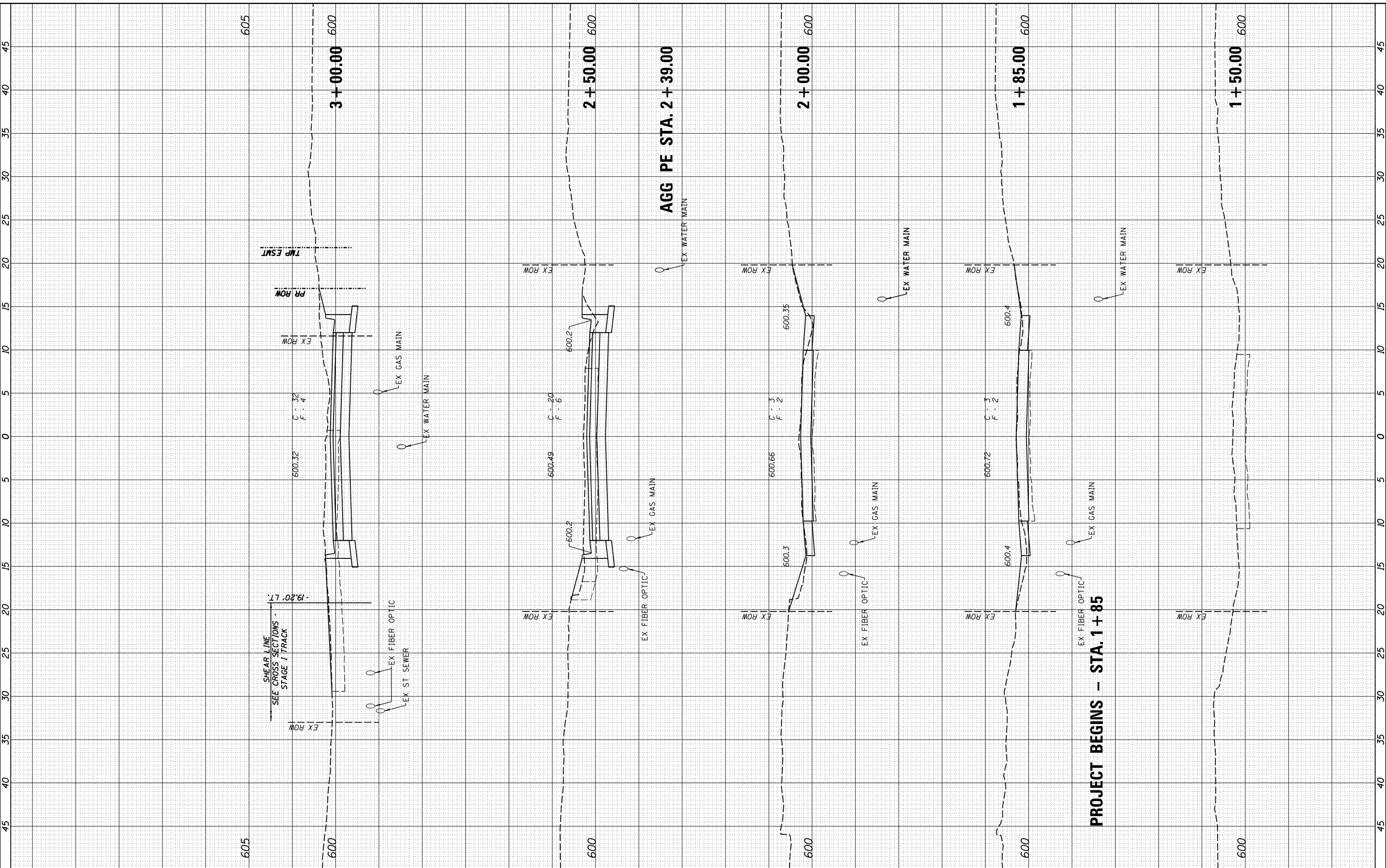
SCALE: SHEET 4 OF 4 SHEETS STA. 1001+50 TO STA. 1003+00

#666 & 666 ALT. ILLINOIS FED. AID PROJECT

FINAL SURVEY NO.	SURVEYED PLOTTED TEMPLATE AREAS CHECKED	BY	DATE

ORIGINAL SURVEY NO.	SURVEYED PLOTTED TEMPLATE AREAS CHECKED	BY	DATE

DESIGNED	DRAWN	CHECKED



PROJECT BEGINS - STA. 1+85

STATE OF ILLINOIS
DEPARTMENT OF TRANSPORTATION

SPRINGFIELD RAIL IMPROVEMENTS PROJECT
SPRINGFIELD, SANGAMON COUNTY, ILLINOIS
CROSS SECTIONS - BURTON DRIVE

F.A.P. RTE.	SECTION	COUNTY	TOTAL SHEETS	SHEET NO.
•	(109) VB,(110) VB-5	SANGAMON	382	319
	09L0179B		CONTRACT NO.	93733



USER NAME = Pop00275	DESIGNED -	REVISED -
PLOT SCALE = 10.0000' / in.	DRAWN -	REVISED -
PLOT DATE = 4/11/2019	CHECKED -	REVISED -
	DATE - 03/15/2019	REVISED -

SCALE: SHEET 1 OF 3 SHEETS STA. 1+50.00 TO STA. 3+00.00

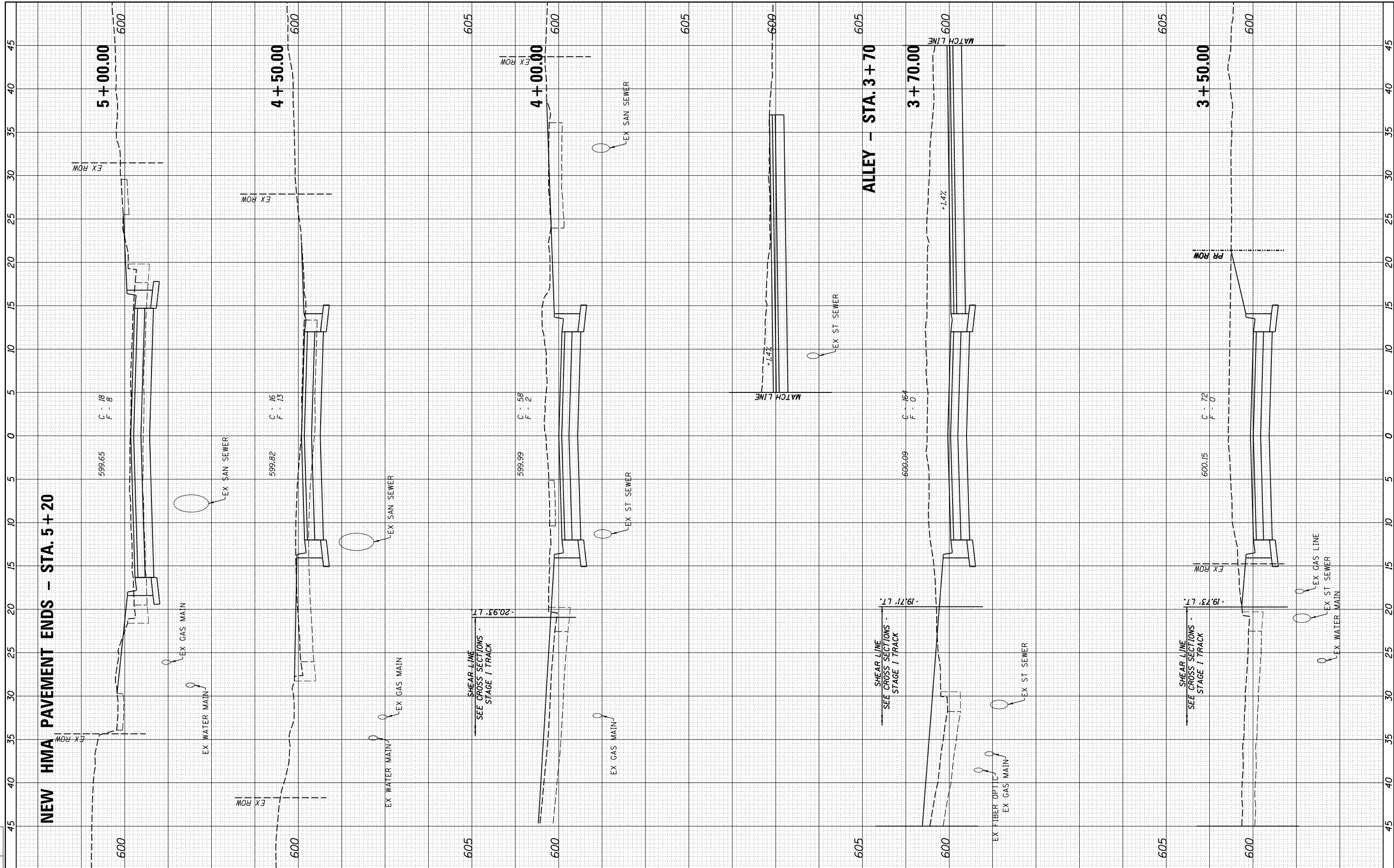
±666 & 666 ALT. ILLINOIS FED. AID PROJECT

FINAL SURVEY NO.	SURVEYED BY	DATE
NOTE BOOK NO.	PLOTTED BY	
AREAS CHECKED	TEMPLATE	
	AREAS CHECKED	

ORIGINAL SURVEY NO.	SURVEYED BY	DATE
NOTE BOOK NO.	PLOTTED BY	
AREAS CHECKED	TEMPLATE	
	AREAS CHECKED	

DESIGNED BY
DRAWN BY
CHECKED BY

NEW HMA PAVEMENT ENDS - STA. 5+20



USER NAME = Pop00275	DESIGNED -	REVISED -
PLOT SCALE = 10.0000' / in.	DRAWN -	REVISED -
PLOT DATE = 4/11/2019	CHECKED -	REVISED -
	DATE = 03/15/2019	REVISED -

**STATE OF ILLINOIS
DEPARTMENT OF TRANSPORTATION**

**SPRINGFIELD RAIL IMPROVEMENTS PROJECT
SPRINGFIELD, SANGAMON COUNTY, ILLINOIS
CROSS SECTIONS - BURTON DRIVE**

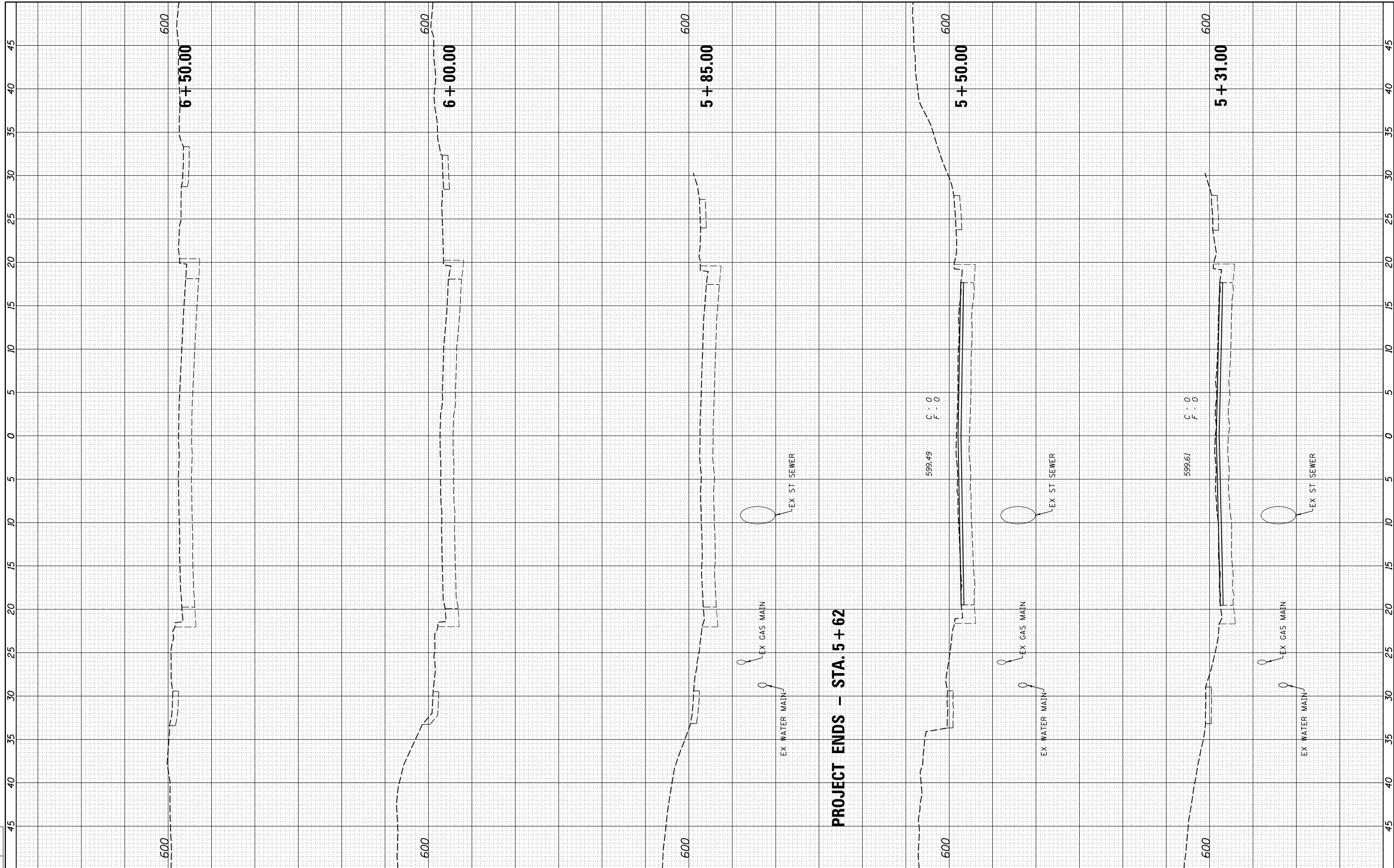
SCALE: SHEET 2 OF 3 SHEETS STA. 3+50.00 TO STA. 5+00.00

F.A.P. RTE.	SECTION	COUNTY	TOTAL SHEETS	SHEET NO.
09L0179B	(109) VB,(110) VB-5	SANGAMON	382	320
	09L0179B	CONTRACT NO.	93733	
*666 & 666 ALT. ILLINOIS FED. AID PROJECT				

FINAL SURVEY NO.	SURVEYED PLOTTED	BY	DATE
NOTE BOOK	TEMPLATE		
AREAS CHECKED	AREAS CHECKED		

ORIGINAL SURVEY NO.	SURVEYED PLOTTED	BY	DATE
NOTE BOOK	TEMPLATE		
AREAS CHECKED	AREAS CHECKED		

DESIGNED	DRAWN	CHECKED



USER NAME = Pop00275	DESIGNED -	REVISED -
PLOT SCALE = 10.0000' / in.	DRAWN -	REVISED -
PLOT DATE = 4/11/2019	CHECKED -	REVISED -
6+00.00 DATE = 6/30/2019		REVISED -

STATE OF ILLINOIS
DEPARTMENT OF TRANSPORTATION

SPRINGFIELD RAIL IMPROVEMENTS PROJECT
SPRINGFIELD, SANGAMON COUNTY, ILLINOIS
CROSS SECTIONS - BURTON DRIVE

F.A.P. RTE.	SECTION	COUNTY	TOTAL SHEETS	SHEET NO.
666 & 666 ALT.	(109) VB,(110) VB-5	SANGAMON	382	321
	09L0179B	CONTRACT NO.	93733	
ILLINOIS FED. AID PROJECT				

SCALE: SHEET 3 OF 3 SHEETS STA. 5+31.00 TO STA. 6+50.00

FINAL SURVEY	SURVEYED	BY	DATE
SURVEY	PLOTTED		
NOTE BOOK	TEMPLATE		
NO.	AREAS CHECKED		

ORIGINAL SURVEY	SURVEYED	BY	DATE
SURVEY	PLOTTED		
NOTE BOOK	TEMPLATE		
NO.	AREAS CHECKED		

DESIGNED	DRAWN	CHECKED

V&K
Veenstra & Kimm, Inc.
 Springfield, IL. Phone: (217)544-8033

USER NAME = Pop00275
 PLOT SCALE = 10.0000" / 1"
 PLOT DATE = 4/11/2019

DESIGNED -
 DRAWN -
 CHECKED -
 DATE - 03/15/2019

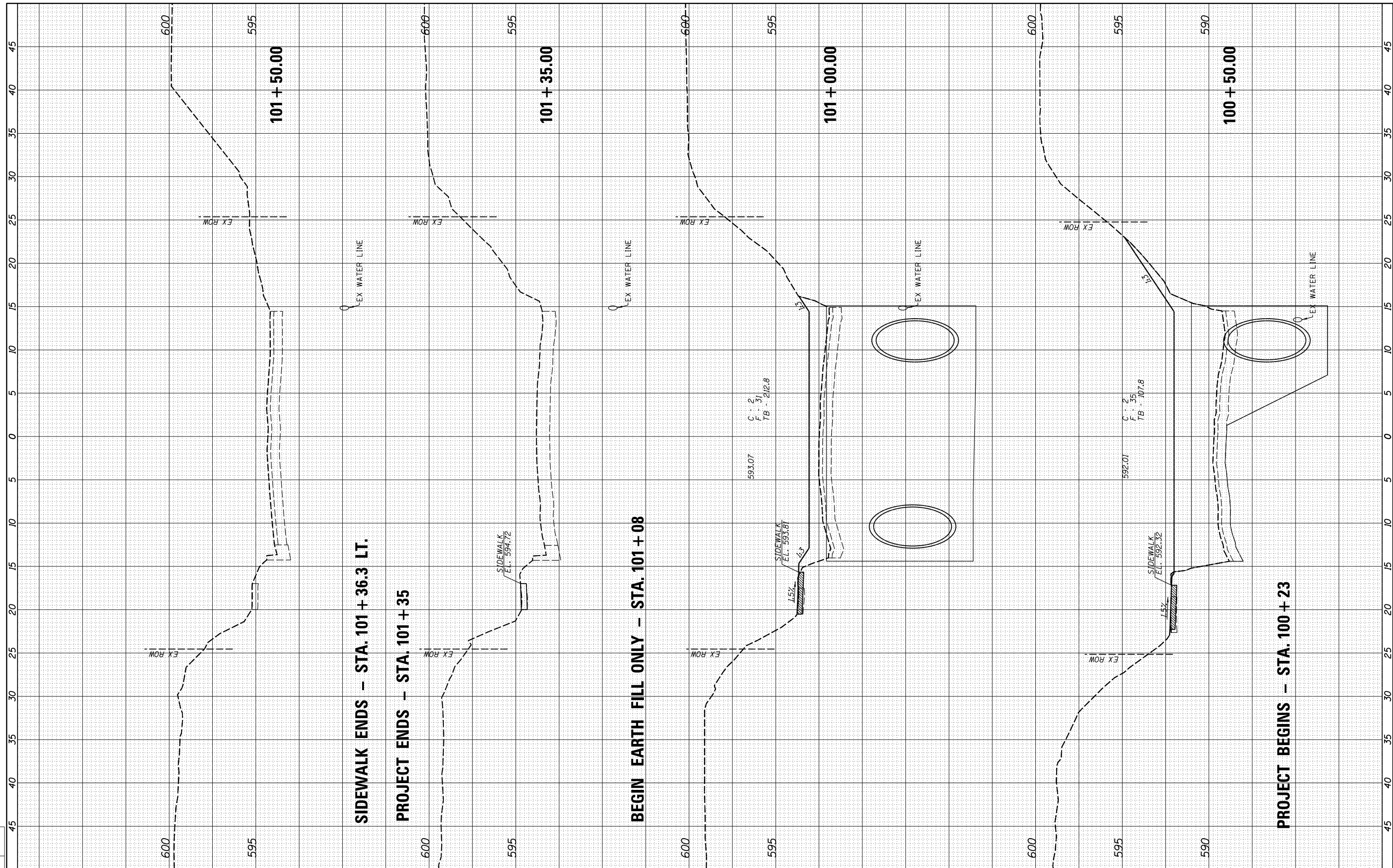
REVISED -
 REVISED -
 REVISED -
 REVISED -

STATE OF ILLINOIS
DEPARTMENT OF TRANSPORTATION

SPRINGFIELD RAIL IMPROVEMENTS PROJECT
SPRINGFIELD, SANGAMON COUNTY, ILLINOIS
CROSS SECTIONS - PRINCETON AVE.

F.A.P. RTE.	SECTION	COUNTY	TOTAL SHEETS	SHEET NO.
•	(109) VB,(110) VB-5	SANGAMON	382	322
	09L0179B	CONTRACT NO.	93733	
*666 & 666 ALT. ILLINOIS FED. AID PROJECT				

SCALE: SHEET 1 OF 1 SHEETS STA. 100+50.00 TO STA. 101+50.00

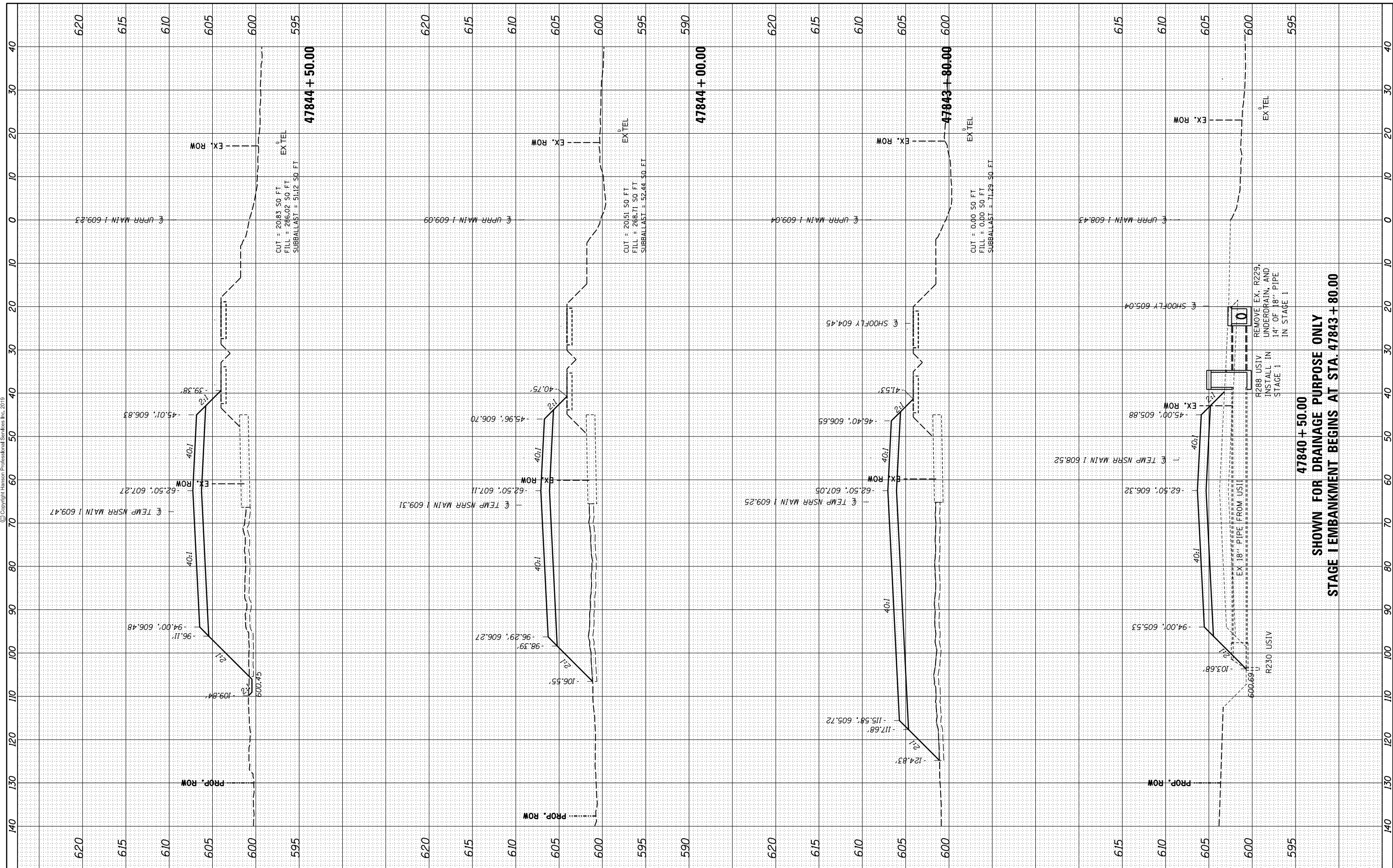


FINAL SURVEY NO.	SURVEYED	BY	DATE
	PLOTTED		
	TEMPLATE		
	AREAS CHECKED		



© Copyright Hanson Professional Services Inc. 2019

ORIGINAL SURVEY NO.	SURVEYED	BY	DATE
	PLOTTED		
	TEMPLATE		
	AREAS CHECKED		



47840 + 50.00
47844 + 50.00
47843 + 80.00
47844 + 00.00
47843 + 80.00
47840 + 50.00
SHOWN FOR DRAINAGE PURPOSE ONLY
STAGE I EMBANKMENT BEGINS AT STA. 47843 + 80.00

FILE NAME =	USER NAME = Pop00275	DESIGNED - GCN	REVISED -
D0609L0179b-SHT-XSSstage1.US4.dgn		DRAWN - CLG	REVISED -
		CHECKED - JWM/GCN	REVISED -
		DATE - 03/15/2019	REVISED -

STATE OF ILLINOIS
DEPARTMENT OF TRANSPORTATION

SPRINGFIELD RAIL IMPROVEMENTS PROJECT
SPRINGFIELD, SANGAMON COUNTY, ILLINOIS
CROSS SECTIONS - STAGE 1 TRACK

F.A.U. RTE.	SECTION	COUNTY	TOTAL SHEETS	SHEET NO.
09L0179B	(109) VB,(110) VB-5	SANGAMON	382	323
	CONTRACT NO.			
	93733			

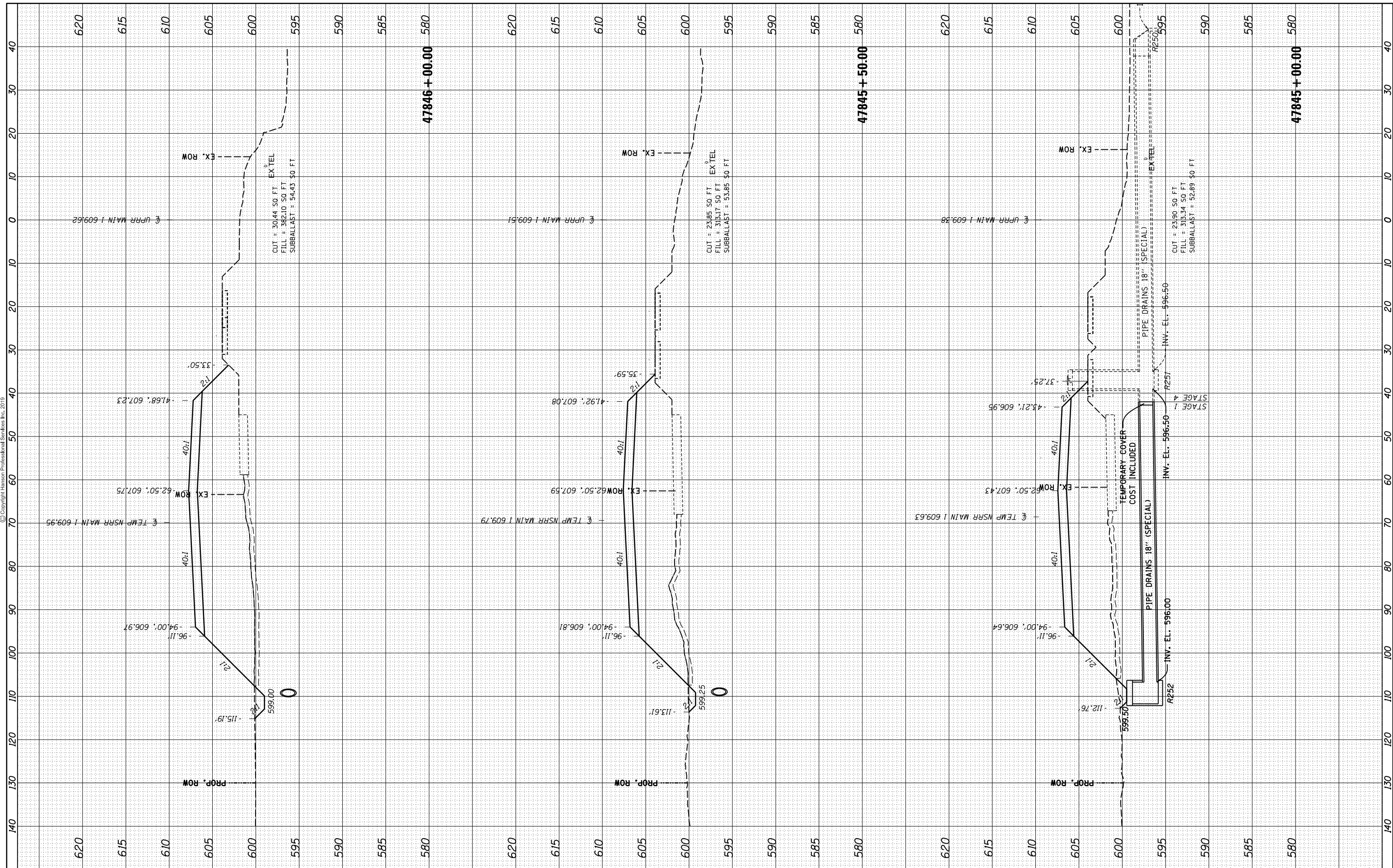
SCALE: SHEET 1 OF 26 SHEETS STA. 47843+80.00 TO STA. 47844+50.00 666 & 666 ALT. ILLINOIS FED. AID PROJECT

FINAL SURVEY NO.	SURVEYED	BY	DATE
NOTE BOOK	PLOTTED		
AREAS CHECKED	TEMPLATE		
	AREAS		
	CHECKED		



© Copyright Hanson Professional Services Inc. 2019

ORIGINAL SURVEY NO.	SURVEYED	BY	DATE
NOTE BOOK	PLOTTED		
AREAS CHECKED	TEMPLATE		
	AREAS		
	CHECKED		



FINAL
FILE NAME = D609L0179b-SHT-XSSstage1.US4.dgn
XS.SHEET_temporary_model_name_2

USER NAME = Pop00275	DESIGNED - GCN	REVISED -
PLOT SCALE = 20.0000' / in.	DRAWN - CLG	REVISED -
PLOT DATE = 4/11/2019	CHECKED - JWM/GCN	REVISED -
	DATE - 03/15/2019	REVISED -

**STATE OF ILLINOIS
DEPARTMENT OF TRANSPORTATION**

**SPRINGFIELD RAIL IMPROVEMENTS PROJECT
SPRINGFIELD, SANGAMON COUNTY, ILLINOIS
CROSS SECTIONS - STAGE 1 TRACK**

F.A.U. RTE.	SECTION	COUNTY	TOTAL SHEETS	SHEET NO.
	(109) VB,(110) VB-5	SANGAMON	382	324
	09L0179B		CONTRACT NO.	93733

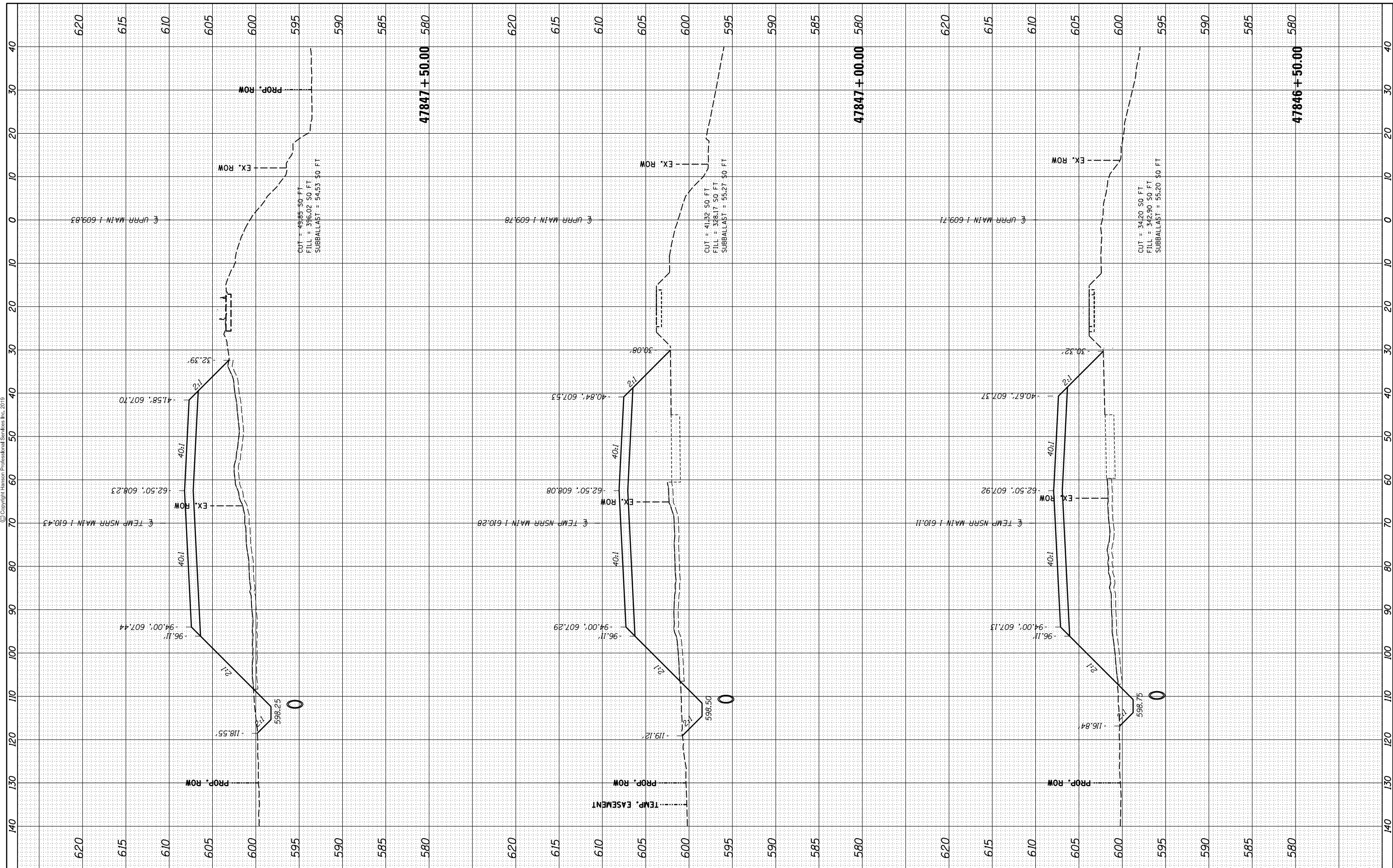
SCALE: SHEET 2 OF 26 SHEETS STA. 47845+00.00 TO STA. 47846+00.00 666 & 666 ALT. ILLINOIS FED. AID PROJECT

FINAL SURVEY NO.	SURVEYED	BY	DATE
NOTE BOOK	PLOTTED		
AREAS CHECKED	TEMPLATE		
	AREAS		
	CHECKED		



© Copyright Hanson Professional Services Inc. 2019

ORIGINAL SURVEY NO.	SURVEYED	BY	DATE
NOTE BOOK	PLOTTED		
AREAS CHECKED	TEMPLATE		
	AREAS		
	CHECKED		



FILE NAME = D609L0179b-SHT-XSSstage1.US4.dgn
 USER NAME = Pop00275
 PLOT SCALE = 20.0000' / in.
 PLOT DATE = 4/11/2019

DESIGNED - GCN	REVISED -
DRAWN - CLG	REVISED -
CHECKED - JWM/GCN	REVISED -
DATE - 03/15/2019	REVISED -

**STATE OF ILLINOIS
 DEPARTMENT OF TRANSPORTATION**

**SPRINGFIELD RAIL IMPROVEMENTS PROJECT
 SPRINGFIELD, SANGAMON COUNTY, ILLINOIS
 CROSS SECTIONS - STAGE 1 TRACK**

F.A.U. RTE.	SECTION	COUNTY	TOTAL SHEETS	SHEET NO.
•	(109) VB,(110) VB-5	SANGAMON	382	325
	09L0179B	CONTRACT NO.	93733	

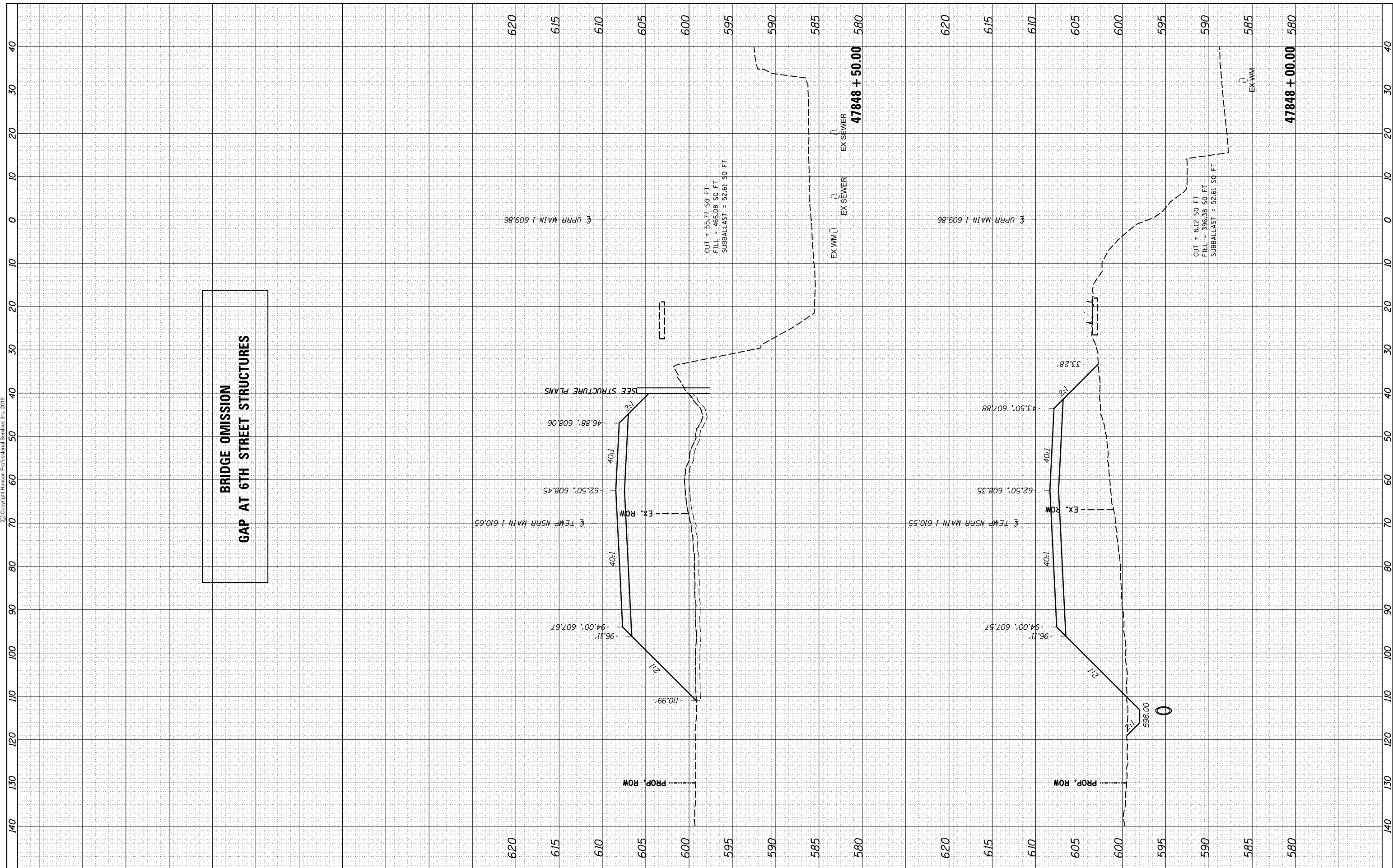
SCALE: SHEET 3 OF 26 SHEETS STA. 47846+50.00 TO STA. 47847+50.00 666 & 666 ALT. ILLINOIS FED. AID PROJECT

FINAL SURVEY NO.	SURVEYED	BY	DATE
NOTE BOOK	PLOTTED		
AREAS CHECKED	TEMPLATE		
	AREAS		
	CHECKED		

ORIGINAL SURVEY NO.	SURVEYED	BY	DATE
NOTE BOOK	PLOTTED		
AREAS CHECKED	TEMPLATE		
	AREAS		
	CHECKED		



© Copyright Hanson Professional Services Inc. 2019



FINAL FILE NAME = D609L0179b-SHT-XSSstage1.US4.dgn
 XS.SHEET_temporary_model_name_4

USER NAME = Pop00275	DESIGNED - GCN	REVISED -
PLOT SCALE = 20.0000' / in.	DRAWN - CLG	REVISED -
PLOT DATE = 4/11/2019	CHECKED - JWM/GCN	REVISED -
	DATE - 03/15/2019	REVISED -

**STATE OF ILLINOIS
DEPARTMENT OF TRANSPORTATION**

**SPRINGFIELD RAIL IMPROVEMENTS PROJECT
SPRINGFIELD, SANGAMON COUNTY, ILLINOIS
CROSS SECTIONS - STAGE 1 TRACK**

F.A.U. RTE.	SECTION	COUNTY	TOTAL SHEETS	SHEET NO.
09L0179B	(109) VB,(110) VB-5	SANGAMON	382	326
	CONTRACT NO.			93733

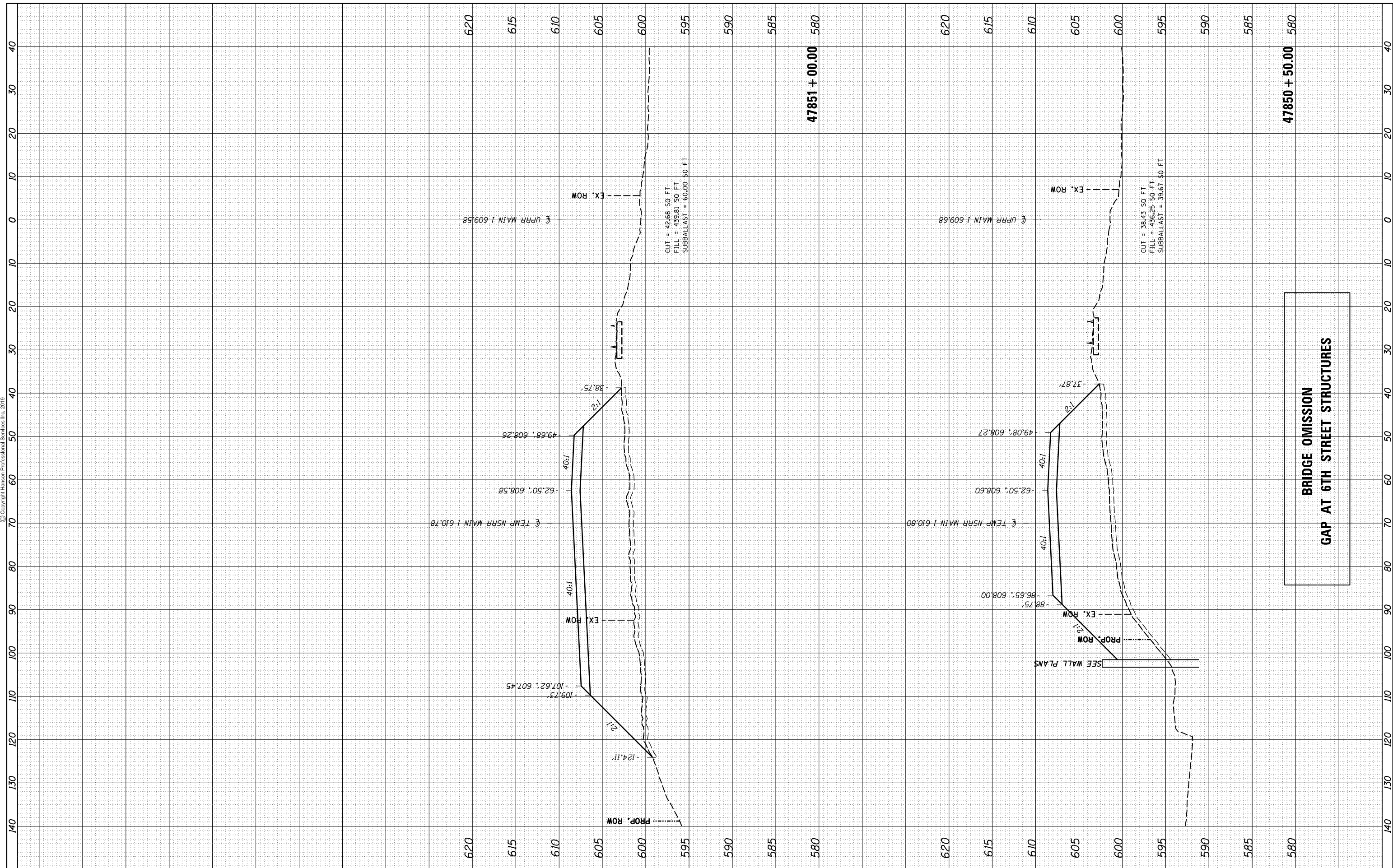
SCALE: SHEET 4 OF 26 SHEETS STA. 47848+00.00 TO STA. 47850+00.00 666 & 666 ALT. ILLINOIS FED. AID PROJECT

FINAL SURVEY NO.	SURVEYED	BY	DATE
NOTE BOOK	PLOTTED		
AREAS CHECKED	TEMPLATE		
	AREAS CHECKED		

ORIGINAL SURVEY NO.	SURVEYED	BY	DATE
NOTE BOOK	PLOTTED		
AREAS CHECKED	TEMPLATE		
	AREAS CHECKED		



© Copyright Hanson Professional Services Inc. 2019



FILE NAME =	USER NAME = Pop00275
D609L0179b-SHT-XSSstage1.US4.dgn	DESIGNED - GCN
XS.SHEET_temporary_model_name_5	DRAWN - CLG
	CHECKED - JWM/GCN
	DATE - 03/15/2019

PLOT SCALE = 20.0000' / in.	REVISOR -
PLOT DATE = 4/11/2019	REVISOR -
	REVISOR -
	REVISOR -

DESIGNED - GCN	REVISOR -
DRAWN - CLG	REVISOR -
CHECKED - JWM/GCN	REVISOR -
DATE - 03/15/2019	REVISOR -

**STATE OF ILLINOIS
DEPARTMENT OF TRANSPORTATION**

**SPRINGFIELD RAIL IMPROVEMENTS PROJECT
SPRINGFIELD, SANGAMON COUNTY, ILLINOIS
CROSS SECTIONS - STAGE 1 TRACK**

SCALE: SHEET 5 OF 26 SHEETS STA. 47850+50.00 TO STA. 47851+00.00

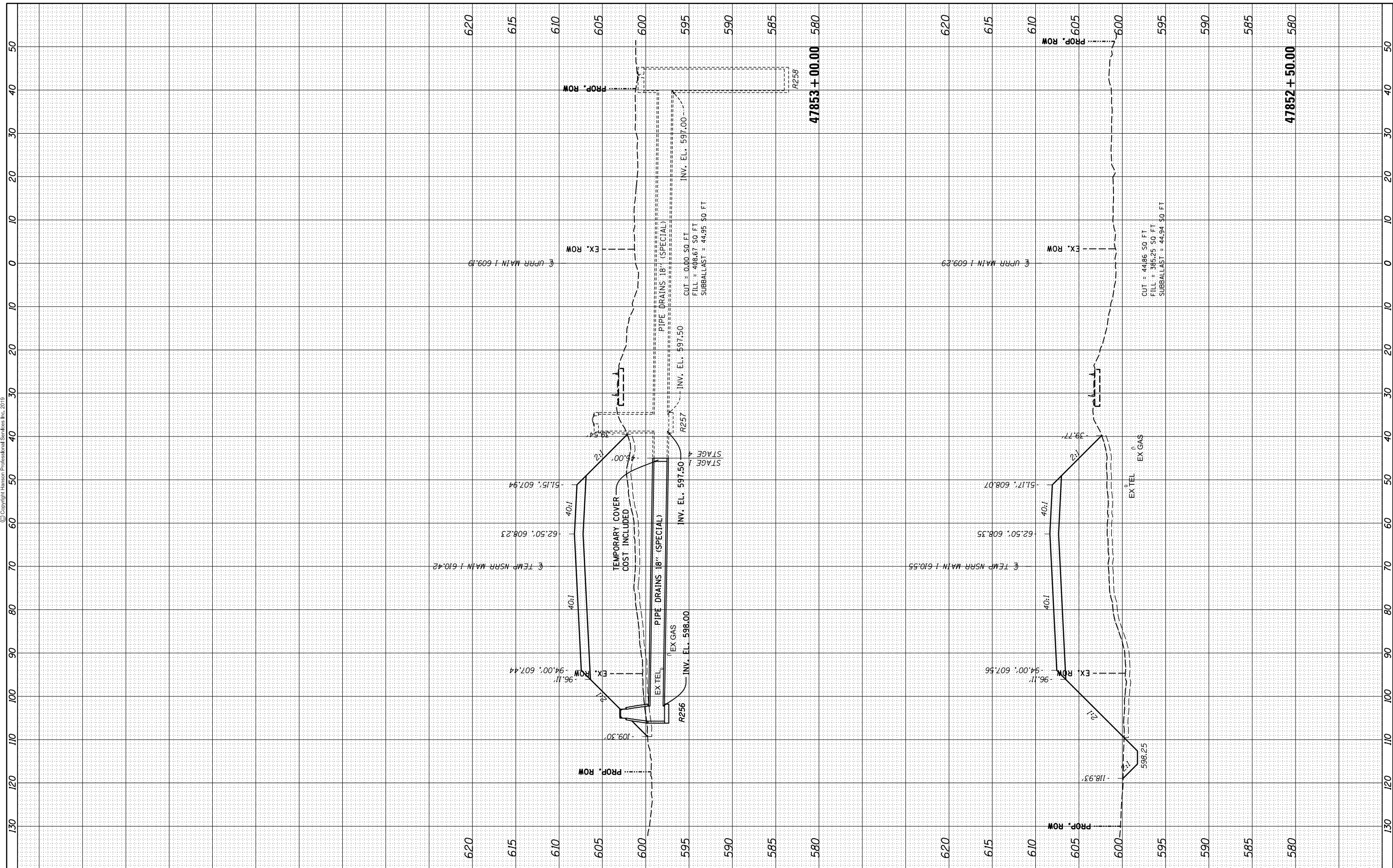
F.A.U. RTE.	SECTION	COUNTY	TOTAL SHEETS	SHEET NO.
•	(109) VB,(110) VB-5	SANGAMON	382	327
	09L0179B		CONTRACT NO.	93733
			666 & 666 ALT.	ILLINOIS FED. AID PROJECT

FINAL SURVEY NO.	SURVEYED PLOTTED TEMPLATE AREAS CHECKED	BY	DATE

ORIGINAL SURVEY NO.	SURVEYED PLOTTED TEMPLATE AREAS CHECKED	BY	DATE



© Copyright Hanson Professional Services Inc. 2019



FINAL
FILE NAME = D609L0179b-SHT-XSSstage1.US4.dgn
XS.SHEET_temporary_model_name_7

USER NAME = Pop00275	DESIGNED - GCN	REVISED -
PLOT SCALE = 20.0000' / in.	DRAWN - CLG	REVISED -
PLOT DATE = 4/11/2019	CHECKED - JWM/GCN	REVISED -
	DATE - 03/15/2019	REVISED -

**STATE OF ILLINOIS
DEPARTMENT OF TRANSPORTATION**

**SPRINGFIELD RAIL IMPROVEMENTS PROJECT
SPRINGFIELD, SANGAMON COUNTY, ILLINOIS
CROSS SECTIONS - STAGE 1 TRACK**

F.A.U. RTE.	SECTION	COUNTY	TOTAL SHEETS	SHEET NO.
•	(109) VB,(110) VB-5	SANGAMON	382	329
	09L0179B	CONTRACT NO.	93733	

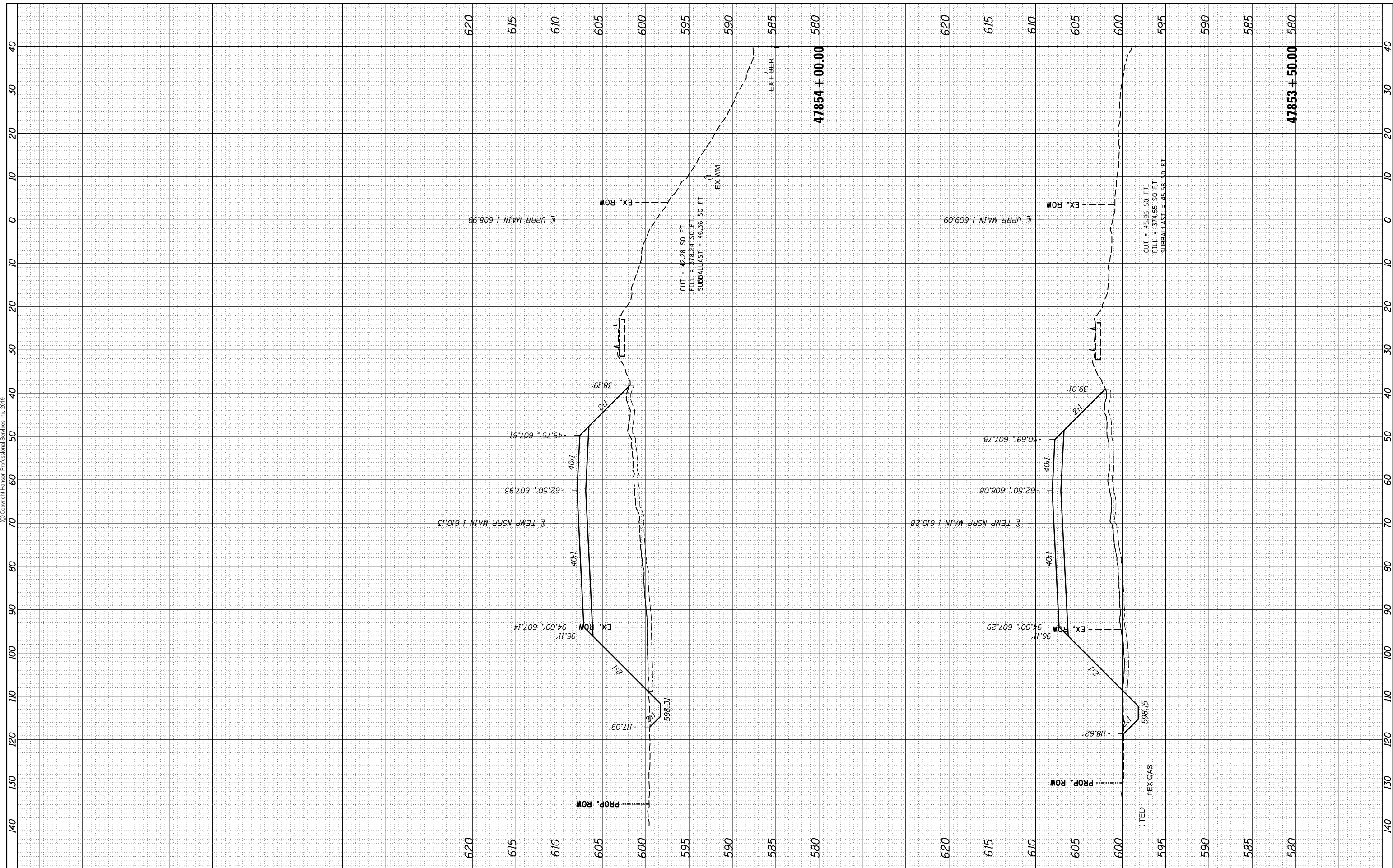
SCALE: SHEET 7 OF 26 SHEETS STA. 47852+50.00 TO STA. 47853+00.00 +666 & 666 ALT. ILLINOIS FED. AID PROJECT

FINAL SURVEY NO.	SURVEYED	BY	DATE
NOTE BOOK	PLOTTED		
AREAS CHECKED	TEMPLATE		
	AREAS		
	CHECKED		

ORIGINAL SURVEY NO.	SURVEYED	BY	DATE
NOTE BOOK	PLOTTED		
AREAS CHECKED	TEMPLATE		
	AREAS		
	CHECKED		



© Copyright Hanson Professional Services Inc. 2019



FINAL
FILE NAME = D609L0179b-SHT-XSS-stage1.US4.dgn
XS.SHEET_temporary_model_name_8

USER NAME = Pop00275	DESIGNED - GCN	REVISED -
	DRAWN - CLG	REVISED -
PLOT SCALE = 20.0000' / in.	CHECKED - JWM/GCN	REVISED -
PLOT DATE = 4/11/2019	DATE - 03/15/2019	REVISED -

**STATE OF ILLINOIS
DEPARTMENT OF TRANSPORTATION**

**SPRINGFIELD RAIL IMPROVEMENTS PROJECT
SPRINGFIELD, SANGAMON COUNTY, ILLINOIS
CROSS SECTIONS - STAGE 1 TRACK**

F.A.U. RTE.	SECTION	COUNTY	TOTAL SHEETS	SHEET NO.
•	(109) VB,(110) VB-5	SANGAMON	382	330
	09L0179B	CONTRACT NO.	93733	

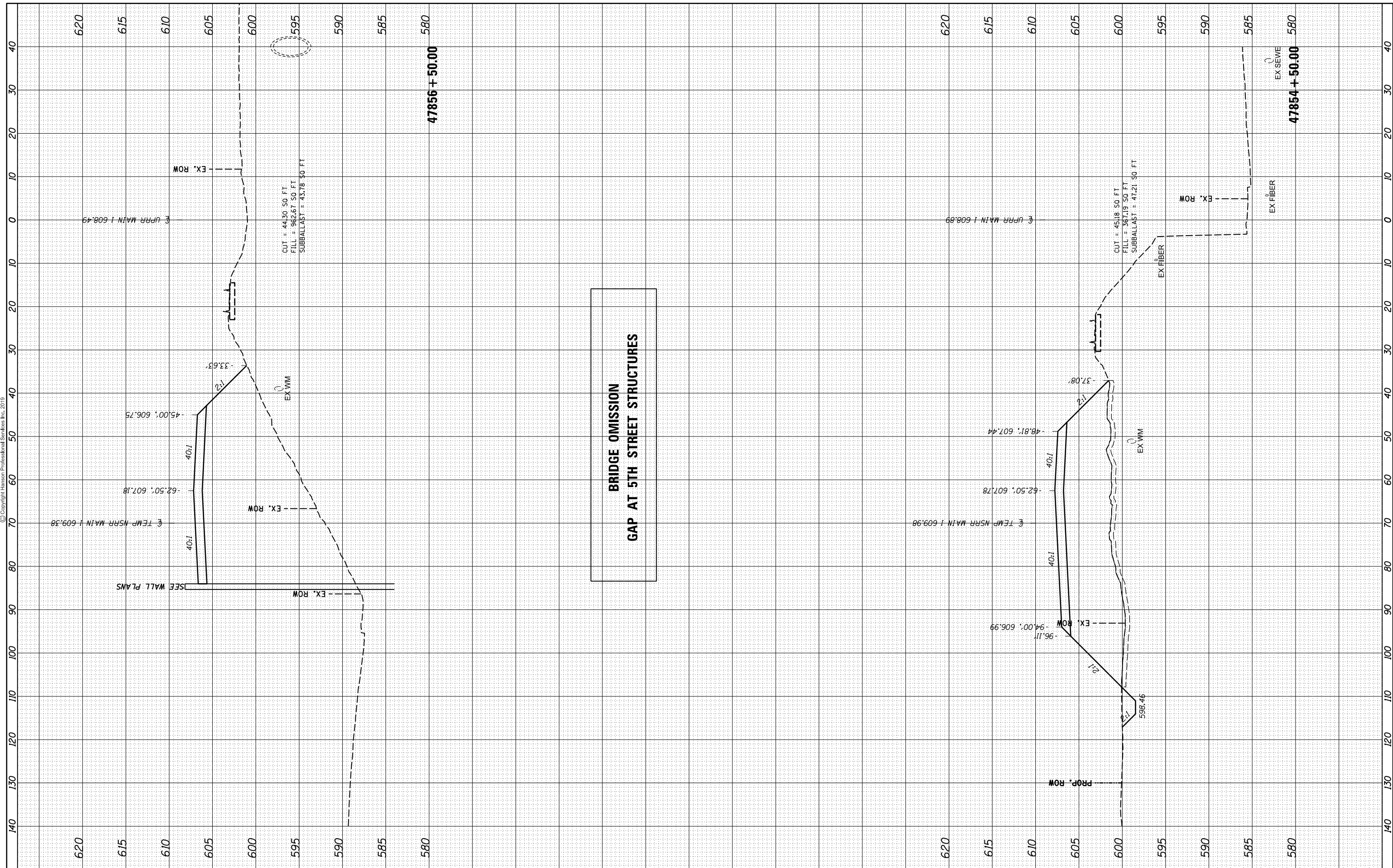
SCALE: SHEET 8 OF 26 SHEETS STA. 47853+50.00 TO STA. 47854+00.00 666 & 666 ALT. ILLINOIS FED. AID PROJECT

FINAL SURVEY NO.	SURVEYED	BY	DATE
NOTE BOOK	PLOTTED		
AREAS CHECKED	TEMPLATE		
	AREAS		
	CHECKED		



© Copyright Hanson Professional Services Inc. 2019

ORIGINAL SURVEY NO.	SURVEYED	BY	DATE
NOTE BOOK	PLOTTED		
AREAS CHECKED	TEMPLATE		
	AREAS		
	CHECKED		



FILE NAME = D609L0179b-SHT-XSSstage1.US4.dgn
 XS.SHEET_temporary_model_name_9

USER NAME = Pop00275	DESIGNED - GCN	REVISED -
	DRAWN - CLG	REVISED -
PLOT SCALE = 20.0000' / in.	CHECKED - JWM/GCN	REVISED -
PLOT DATE = 4/11/2019	DATE - 03/15/2019	REVISED -

STATE OF ILLINOIS
DEPARTMENT OF TRANSPORTATION

SPRINGFIELD RAIL IMPROVEMENTS PROJECT
SPRINGFIELD, SANGAMON COUNTY, ILLINOIS
CROSS SECTIONS - STAGE 1 TRACK

F.A.U. RTE.	SECTION	COUNTY	TOTAL SHEETS	SHEET NO.
•	(109) VB,(110) VB-5	SANGAMON	382	331
	09L0179B	CONTRACT NO.	93733	

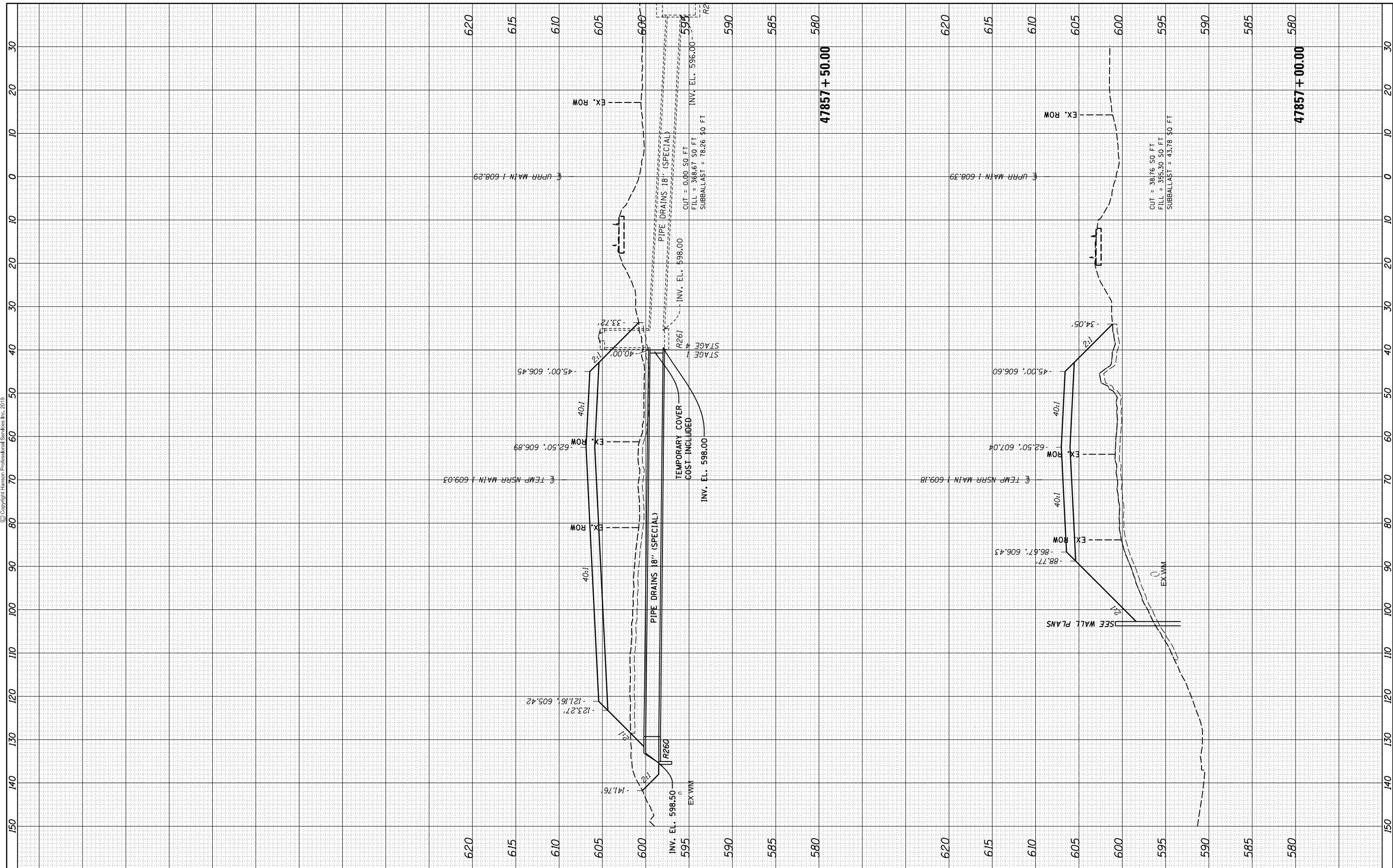
SCALE: SHEET 9 OF 26 SHEETS STA. 47854+50.00 TO STA. 47856+50.00 666 & 666 ALT. ILLINOIS FED. AID PROJECT

FINAL SURVEY NO.	SURVEYED	BY	DATE
NOTE BOOK	PLOTTED		
AREAS CHECKED	TEMPLATE		
	AREAS		
	CHECKED		

ORIGINAL SURVEY NO.	SURVEYED	BY	DATE
NOTE BOOK	PLOTTED		
AREAS CHECKED	TEMPLATE		
	AREAS		
	CHECKED		



© Copyright Hanson Professional Services Inc. 2019



FILE NAME =	D609L0179b-SHT-XSSstage1.US4.dgn
USER NAME =	Pop00275
DESIGNED -	GCN
DRAWN -	CLG
CHECKED -	JWM/GCN
DATE -	03/15/2019
PLOT SCALE =	20.0000' / in.
PLOT DATE =	4/11/2019

REVISOR	REVISION	DATE

**STATE OF ILLINOIS
DEPARTMENT OF TRANSPORTATION**

**SPRINGFIELD RAIL IMPROVEMENTS PROJECT
SPRINGFIELD, SANGAMON COUNTY, ILLINOIS
CROSS SECTIONS - STAGE 1 TRACK**

F.A.U. RTE.	SECTION	COUNTY	TOTAL SHEETS	SHEET NO.
•	(109) VB,(110) VB-5	SANGAMON	382	332
	09L0179B		CONTRACT NO.	93733

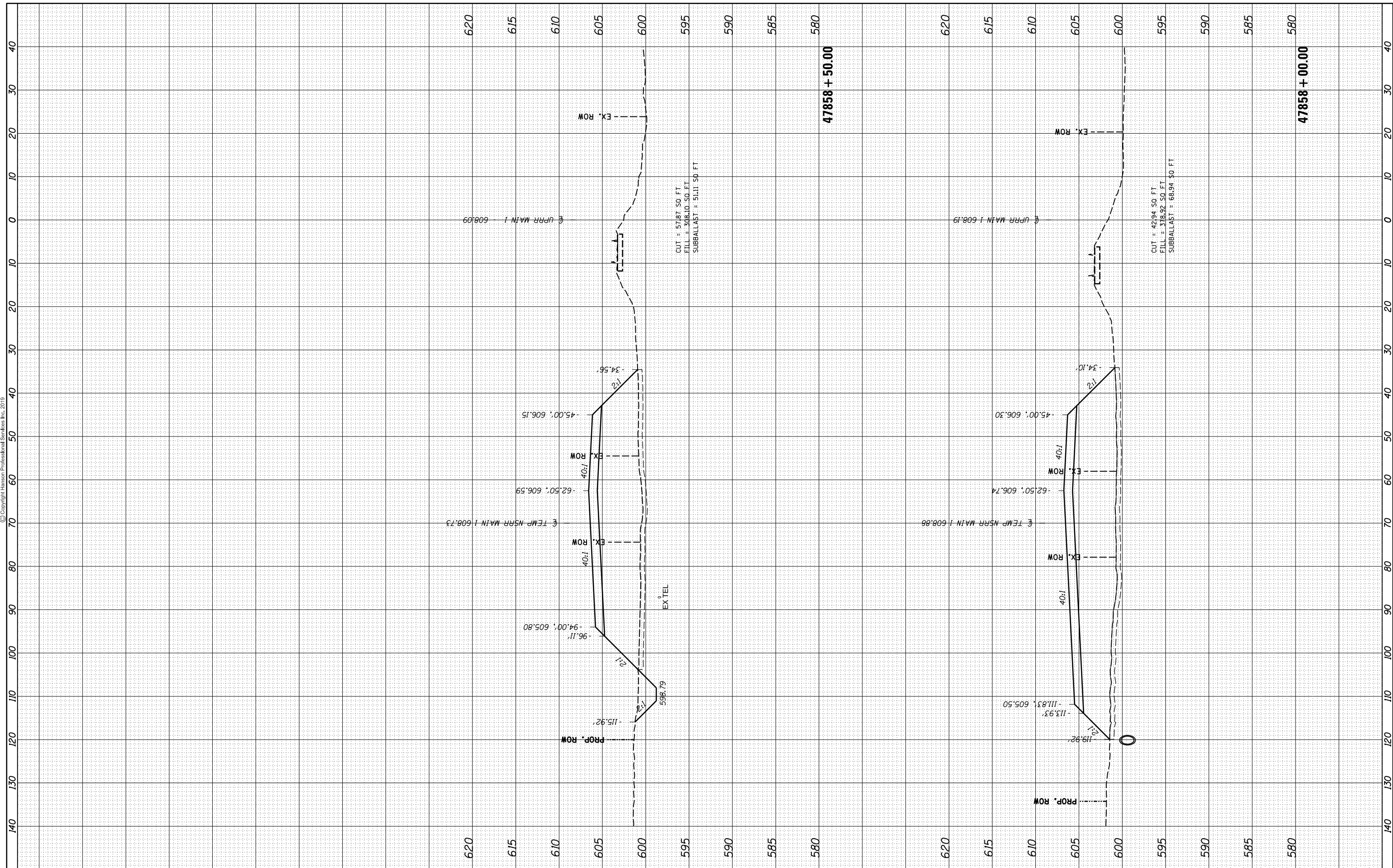
SCALE: SHEET 10 OF 26 SHEETS STA. 47857+00.00 TO STA. 47857+50.00 666 & 666 ALT. ILLINOIS FED. AID PROJECT

FINAL SURVEY NO.	SURVEYED PLOTTED TEMPLATE AREAS CHECKED	BY	DATE

ORIGINAL SURVEY NO.	SURVEYED PLOTTED TEMPLATE AREAS CHECKED	BY	DATE



© Copyright Hanson Professional Services Inc. 2019



FILE NAME =	USER NAME = Pop00275
D609L0179b-SHT-XSSstage1.US4.dgn	DESIGNED - GCN
XS.SHEET_temporary_model_name.11	DRAWN - CLG
	CHECKED - JWM/GCN
	DATE - 03/15/2019

DESIGNED - GCN	REVISED -
DRAWN - CLG	REVISED -
CHECKED - JWM/GCN	REVISED -
DATE - 03/15/2019	REVISED -

**STATE OF ILLINOIS
DEPARTMENT OF TRANSPORTATION**

**SPRINGFIELD RAIL IMPROVEMENTS PROJECT
SPRINGFIELD, SANGAMON COUNTY, ILLINOIS
CROSS SECTIONS - STAGE 1 TRACK**

F.A.U. RTE.	SECTION	COUNTY	TOTAL SHEETS	SHEET NO.
	(109) VB,(110) VB-5	SANGAMON	382	333
	09L0179B	CONTRACT NO.	93733	

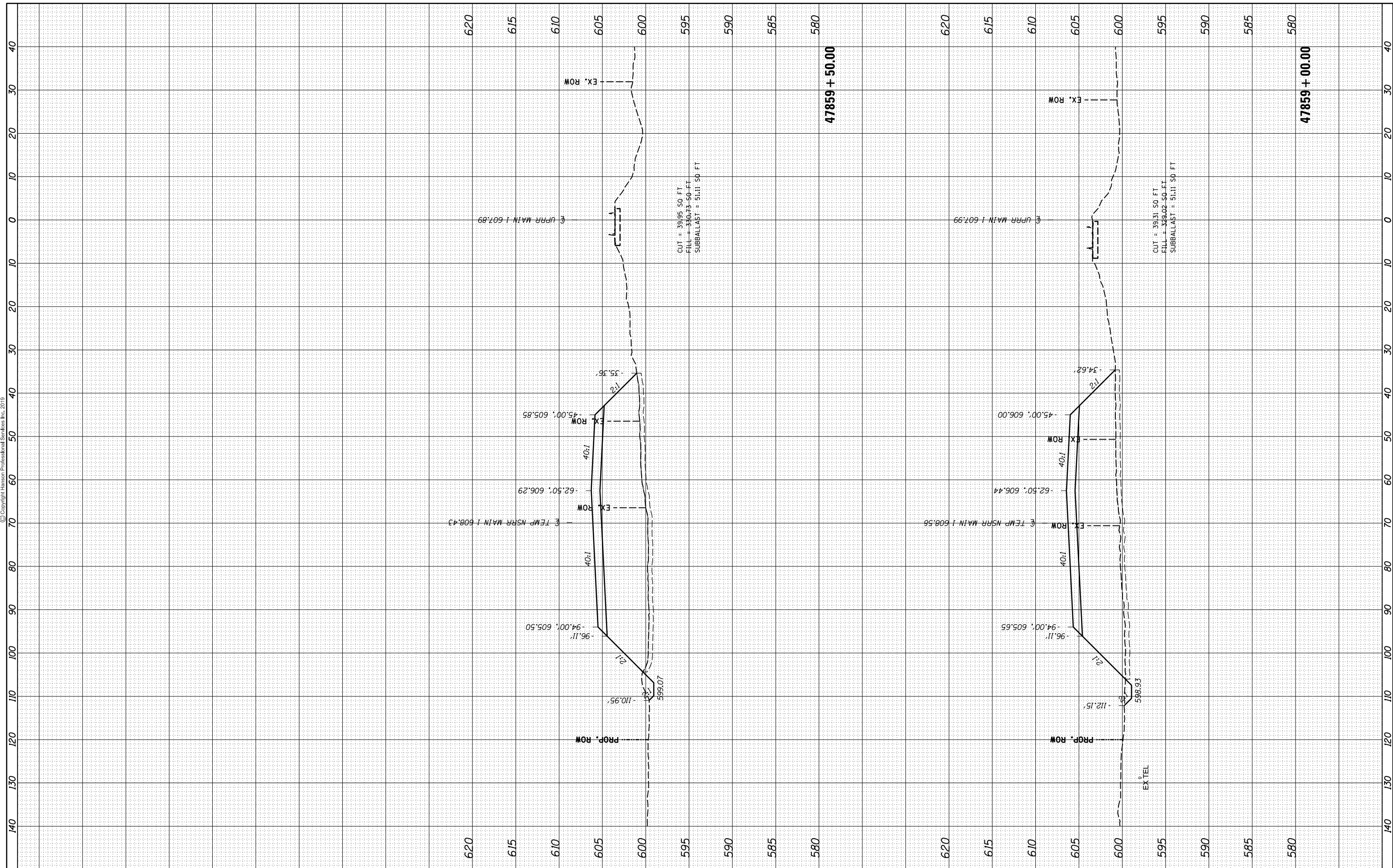
SCALE: SHEET 11 OF 26 SHEETS STA. 47858+00.00 TO STA. 47858+50.00 ±666 & 666 ALT. ILLINOIS FED. AID PROJECT

FINAL SURVEY NO.	SURVEYED	BY	DATE
NOTE BOOK	PLOTTED		
AREAS CHECKED	TEMPLATE		
	AREAS		
	CHECKED		

ORIGINAL SURVEY NO.	SURVEYED	BY	DATE
NOTE BOOK	PLOTTED		
AREAS CHECKED	TEMPLATE		
	AREAS		
	CHECKED		



© Copyright Hanson Professional Services Inc. 2019



FINAL FILE NAME = D609L0179b-SHT-XSS-stage1.US4.dgn
 XS.SHEET_temporary_model_name.12

USER NAME = Pop00275	DESIGNED - GCN	REVISED -
PLOT SCALE = 20.0000' / in.	DRAWN - CLG	REVISED -
PLOT DATE = 4/11/2019	CHECKED - JWM/GCN	REVISED -
	DATE - 03/15/2019	REVISED -

**STATE OF ILLINOIS
 DEPARTMENT OF TRANSPORTATION**

**SPRINGFIELD RAIL IMPROVEMENTS PROJECT
 SPRINGFIELD, SANGAMON COUNTY, ILLINOIS
 CROSS SECTIONS - STAGE 1 TRACK**

F.A.U. RTE.	SECTION	COUNTY	TOTAL SHEETS	SHEET NO.
	(109) VB,(110) VB-5	SANGAMON	382	334
	09L0179B	CONTRACT NO.	93733	

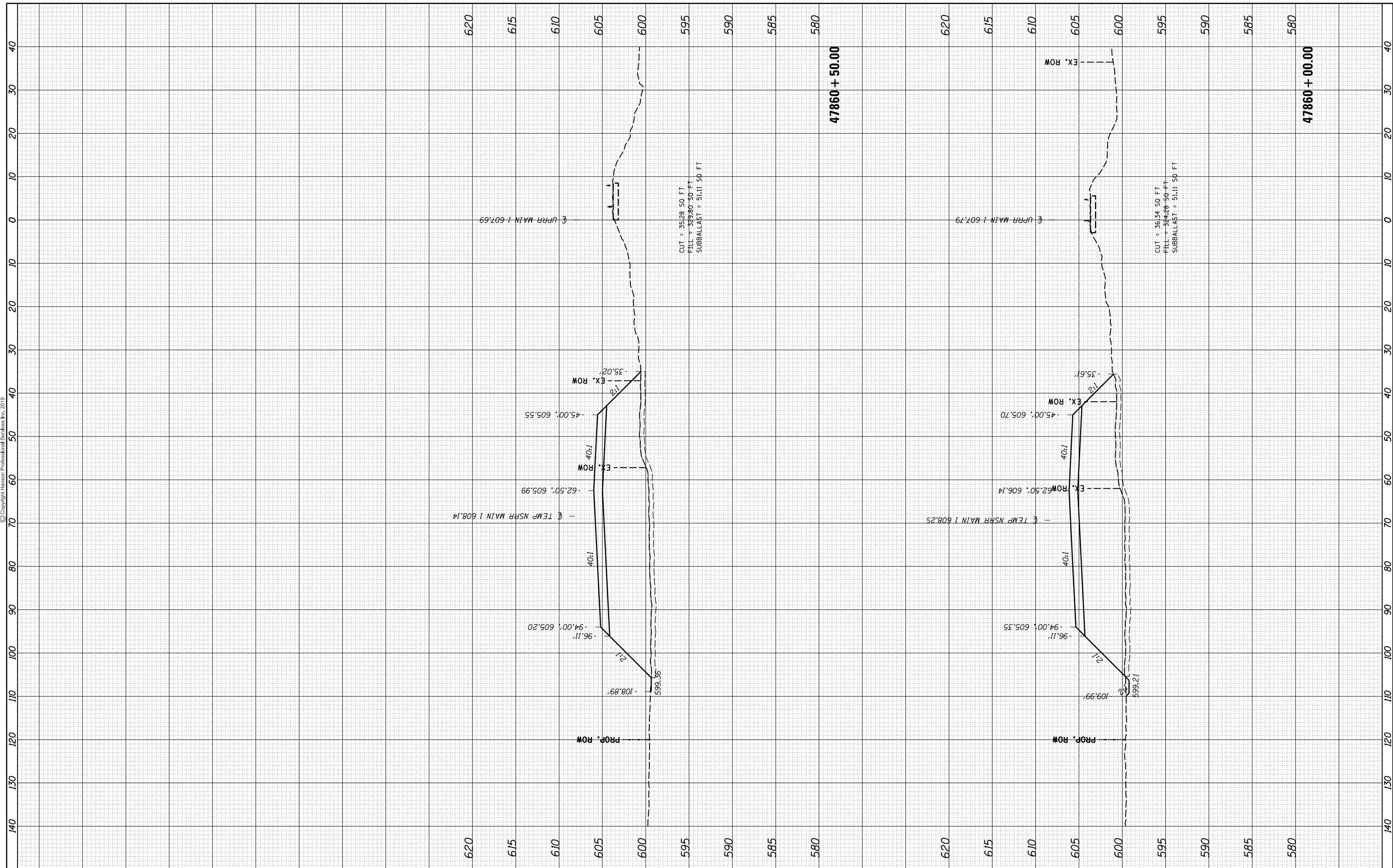
SCALE: SHEET 12 OF 26 SHEETS STA. 47859+00.00 TO STA. 47859+50.00 ±666 & 666 ALT. ILLINOIS FED. AID PROJECT

FINAL SURVEY NO.	SURVEYED	BY	DATE
	PLOTTED		
	TEMPLATE		
	AREAS		
	CHECKED		

ORIGINAL SURVEY NO.	SURVEYED	BY	DATE
	PLOTTED		
	TEMPLATE		
	AREAS		
	CHECKED		



© Copyright Hanson Professional Services Inc. 2019



FILE NAME =	USER NAME =
D609L0179b-SHT-XSSstage1.US4.dgn	Pop00275
PLOT SCALE = 20.0000' / in.	CHECKED =
PLOT DATE = 4/11/2019	DATE =

DESIGNED -	GCN	REVISED -	
DRAWN -	CLG	REVISED -	
CHECKED -	JWM/GCN	REVISED -	
DATE -	03/15/2019	REVISED -	

**STATE OF ILLINOIS
DEPARTMENT OF TRANSPORTATION**

**SPRINGFIELD RAIL IMPROVEMENTS PROJECT
SPRINGFIELD, SANGAMON COUNTY, ILLINOIS
CROSS SECTIONS - STAGE 1 TRACK**

F.A.U. RTE.	SECTION	COUNTY	TOTAL SHEETS	SHEET NO.
	(109) VB,(110) VB-5	SANGAMON	382	335
	09L0179B	CONTRACT NO.	93733	

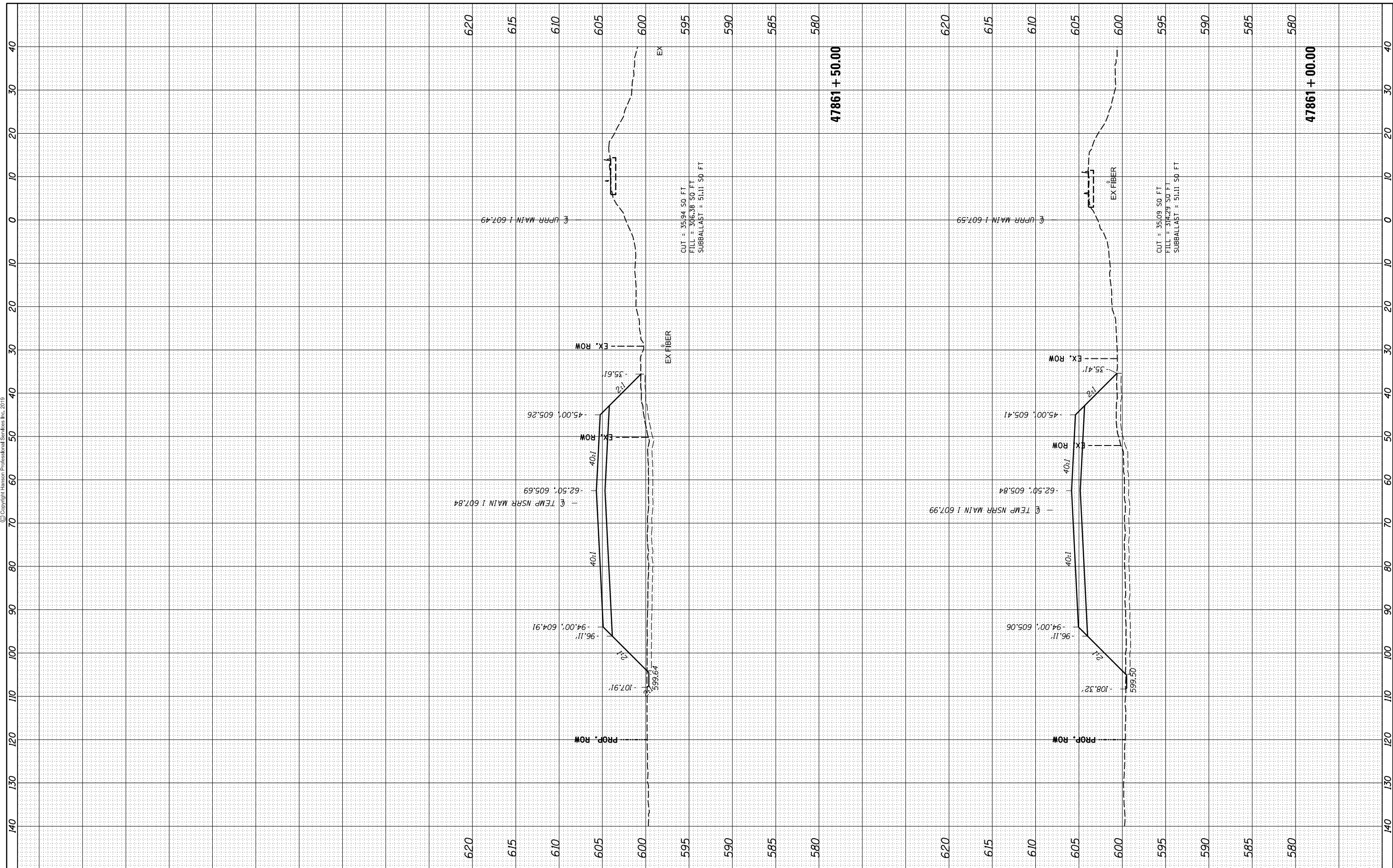
SCALE: SHEET 13 OF 26 SHEETS STA. 47860+00.00 TO STA. 47860+50.00 666 & 666 ALT. ILLINOIS FED. AID PROJECT

FINAL SURVEY NO.	SURVEYED	BY	DATE
NOTE BOOK	PLOTTED		
AREAS CHECKED	TEMPLATE		
	AREAS		
	CHECKED		

ORIGINAL SURVEY NO.	SURVEYED	BY	DATE
NOTE BOOK	PLOTTED		
AREAS CHECKED	TEMPLATE		
	AREAS		
	CHECKED		



© Copyright Hanson Professional Services Inc. 2019



FILE NAME =	USER NAME = Pop00275
D609L0179b-SHT-XSS-stage1.US4.dgn	DESIGNED - GCN
XS.SHEET_temporary_model_name.14	DRAWN - CLG
	CHECKED - JWM/GCN
	DATE - 03/15/2019
	REVISED -
	REVISED -
	REVISED -
	REVISED -

DESIGNED - GCN	REVISED -
DRAWN - CLG	REVISED -
CHECKED - JWM/GCN	REVISED -
DATE - 03/15/2019	REVISED -

**STATE OF ILLINOIS
DEPARTMENT OF TRANSPORTATION**

**SPRINGFIELD RAIL IMPROVEMENTS PROJECT
SPRINGFIELD, SANGAMON COUNTY, ILLINOIS
CROSS SECTIONS - STAGE 1 TRACK**

F.A.U. RTE.	SECTION	COUNTY	TOTAL SHEETS	SHEET NO.
•	(109) VB,(110) VB-5	SANGAMON	382	336
	09L0179B	CONTRACT NO.	93733	

SCALE: SHEET 14 OF 26 SHEETS STA. 47861+00.00 TO STA. 47861+50.00

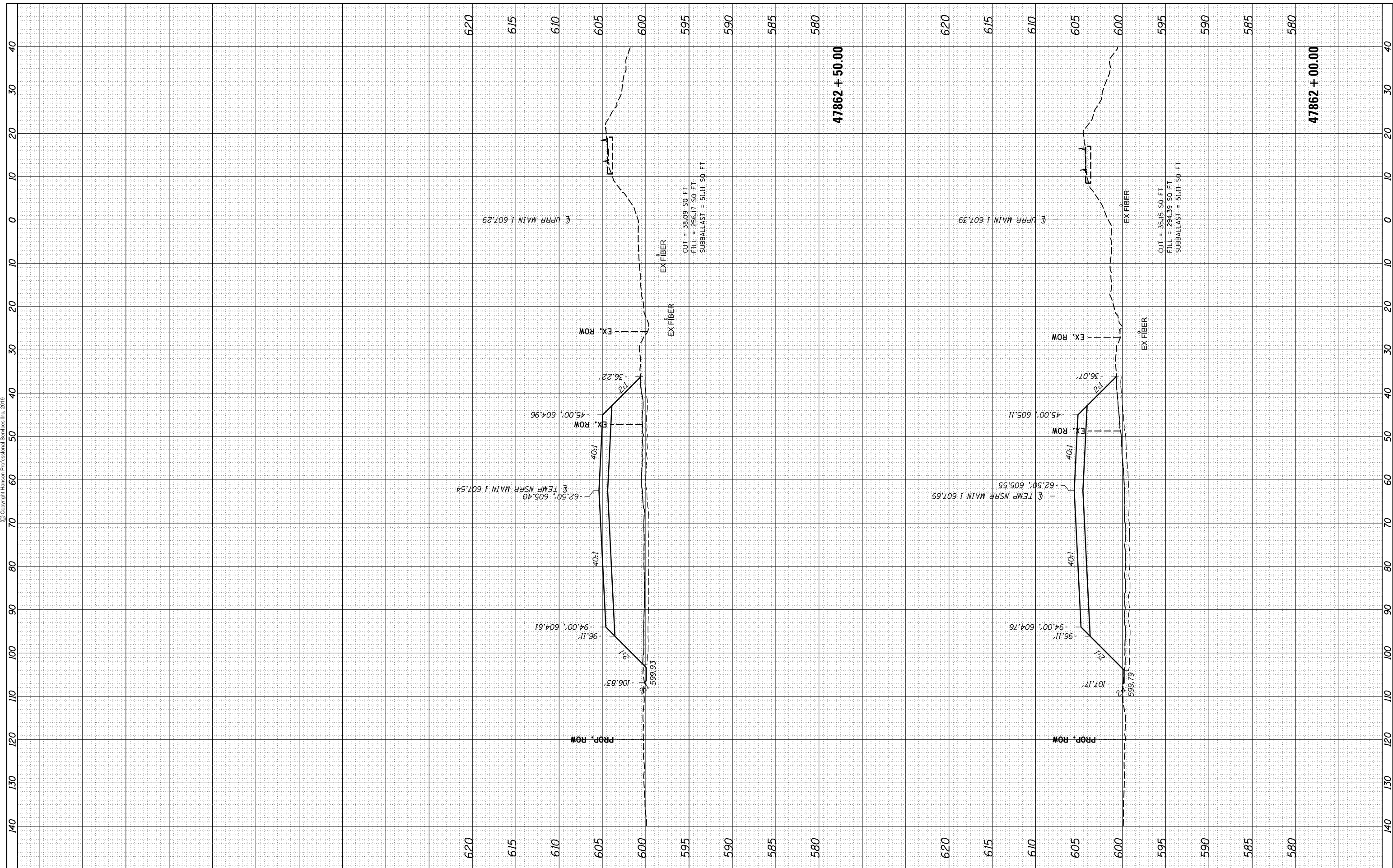
666 & 666 ALT. ILLINOIS FED. AID PROJECT

FINAL SURVEY NO.	SURVEYED PLOTTED TEMPLATE AREAS CHECKED	BY	DATE



© Copyright Hanson Professional Services Inc. 2019

ORIGINAL SURVEY NO.	SURVEYED PLOTTED TEMPLATE AREAS CHECKED	BY	DATE



FILE NAME =	USER NAME = Pop00275
D0609L0179b-SHT-XSSstage1.US4.dgn	DESIGNED - GCN
	DRAWN - CLG
	CHECKED - JWM/GCN
	DATE - 03/15/2019

DESIGNED - GCN	REVISED -
DRAWN - CLG	REVISED -
CHECKED - JWM/GCN	REVISED -
DATE - 03/15/2019	REVISED -

**STATE OF ILLINOIS
DEPARTMENT OF TRANSPORTATION**

**SPRINGFIELD RAIL IMPROVEMENTS PROJECT
SPRINGFIELD, SANGAMON COUNTY, ILLINOIS
CROSS SECTIONS - STAGE 1 TRACK**

F.A.U. RTE.	SECTION	COUNTY	TOTAL SHEETS	SHEET NO.
•	(109) VB,(110) VB-5	SANGAMON	382	337
	09L0179B	CONTRACT NO.	93733	

SCALE: SHEET 15 OF 26 SHEETS STA. 47862+00.00 TO STA. 47862+50.00

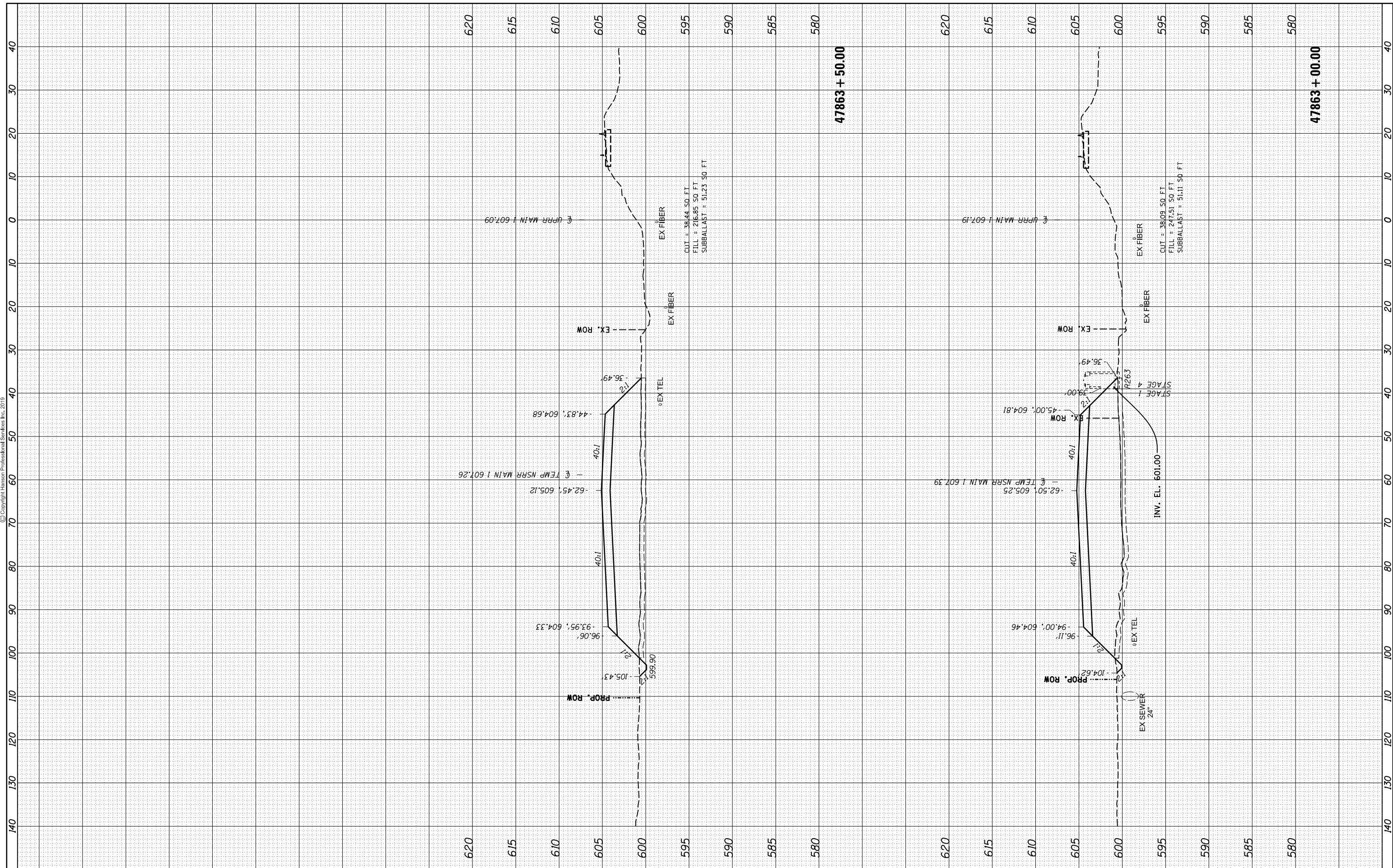
666 & 666 ALT. ILLINOIS FED. AID PROJECT

FINAL SURVEY NO.	SURVEYED	BY	DATE
	PLOTTED		
	TEMPLATE		
	AREAS CHECKED		

ORIGINAL SURVEY NO.	SURVEYED	BY	DATE
	PLOTTED		
	TEMPLATE		
	AREAS CHECKED		



© Copyright Hanson Professional Services Inc. 2019



FINAL
FILE NAME = D609L0179b-SHT-XSSstage1.US4.dgn
XS.SHEET_temporary_model_name.16

USER NAME = Pop00275
DESIGNED - GCN
DRAWN - CLG
CHECKED - JWM/GCN
DATE - 03/15/2019

REVISED -
REVISED -
REVISED -
REVISED -

**STATE OF ILLINOIS
DEPARTMENT OF TRANSPORTATION**

**SPRINGFIELD RAIL IMPROVEMENTS PROJECT
SPRINGFIELD, SANGAMON COUNTY, ILLINOIS
CROSS SECTIONS - STAGE 1 TRACK**

F.A.U. RTE.	SECTION	COUNTY	TOTAL SHEETS	SHEET NO.
	(109) VB,(110) VB-5	SANGAMON	382	338
	09L0179B	CONTRACT NO.	93733	

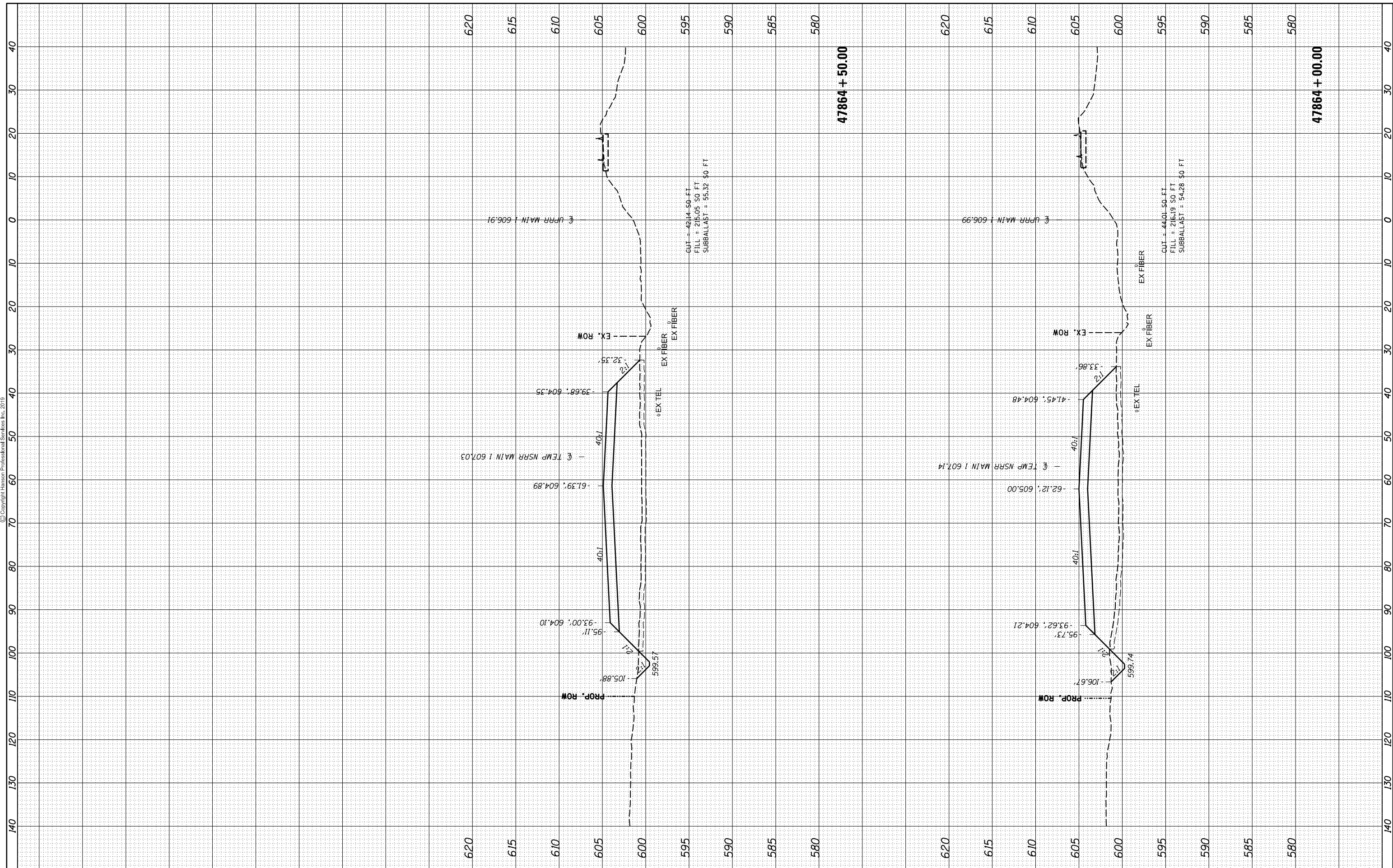
SCALE: SHEET 16 OF 26 SHEETS STA. 47863+00.00 TO STA. 47863+50.00 666 & 666 ALT. ILLINOIS FED. AID PROJECT

FINAL SURVEY NO.	SURVEYED PLOTTED TEMPLATE AREAS CHECKED	BY	DATE

ORIGINAL SURVEY NO.	SURVEYED PLOTTED TEMPLATE AREAS CHECKED	BY	DATE



© Copyright Hanson Professional Services Inc. 2019



FINAL
FILE NAME = D609L0179b-SHT-XSSstage1.US4.dgn
XS.SHEET_temporary_model_name.17

USER NAME = Pop00275	DESIGNED - GCN	REVISED -
PLOT SCALE = 20.0000' / in.	DRAWN - CLG	REVISED -
PLOT DATE = 4/11/2019	CHECKED - JWM/GCN	REVISED -
	DATE - 03/15/2019	REVISED -

STATE OF ILLINOIS
DEPARTMENT OF TRANSPORTATION

SCALE: SHEET 17 OF 26 SHEETS STA. 47864+00.00 TO STA. 47864+50.00

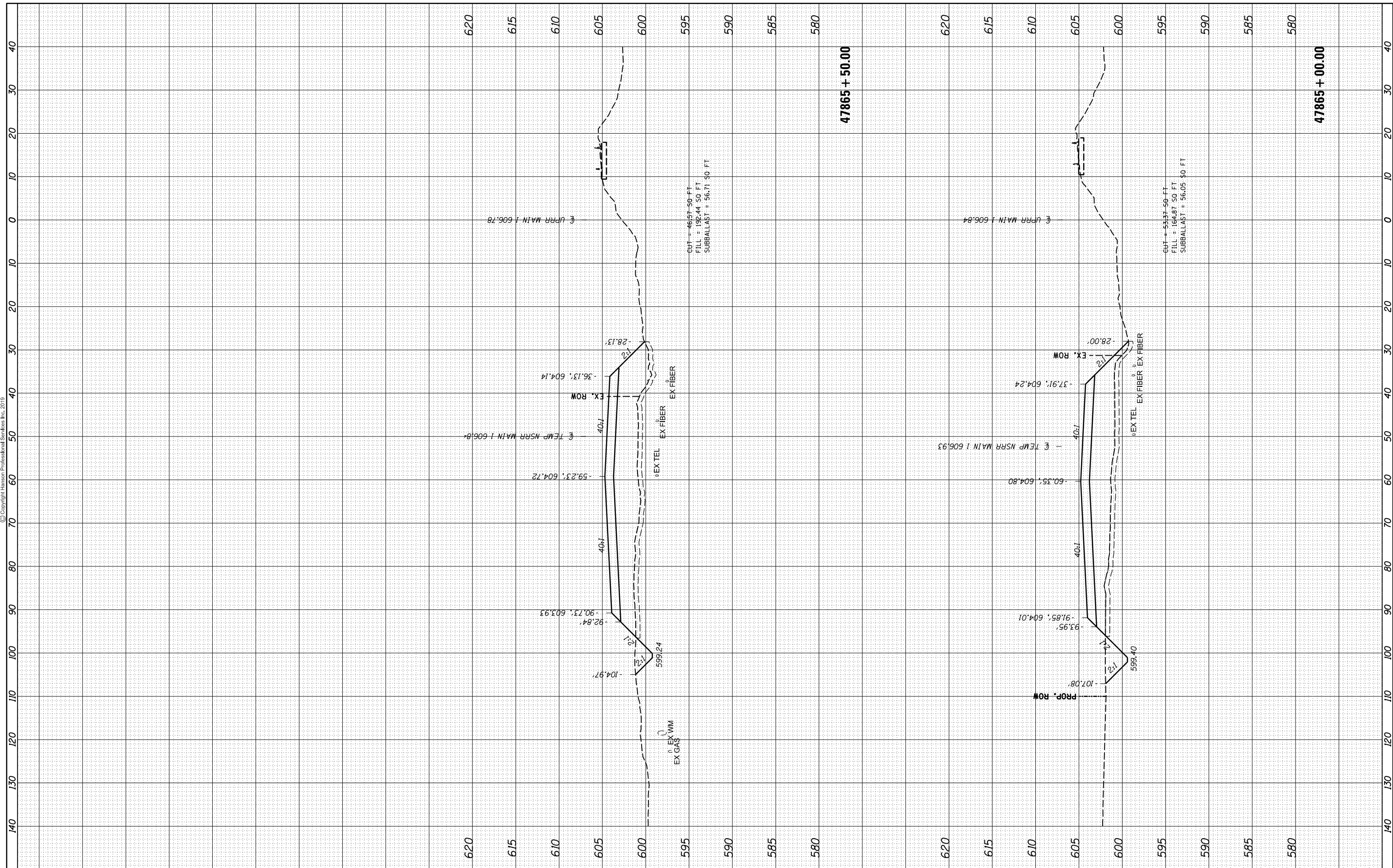
F.A.U. RTE.	SECTION	COUNTY	TOTAL SHEETS	SHEET NO.
•	(109) VB,(110) VB-5	SANGAMON	382	339
	09L0179B	CONTRACT NO.	93733	
ILLINOIS FED. AID PROJECT				

FINAL SURVEY NO.	SURVEYED	BY	DATE
	PLOTTED		
	TEMPLATE		
	AREAS CHECKED		

ORIGINAL SURVEY NO.	SURVEYED	BY	DATE
	PLOTTED		
	TEMPLATE		
	AREAS CHECKED		



© Copyright Hanson Professional Services Inc. 2019



FILE NAME =	USER NAME = Pop00275
D609L0179b-SHT-XSSstage1.US4.dgn	DESIGNED - GCN
XS.SHEET_temporary_model_name.18	DRAWN - CLG
	CHECKED - JWM/GCN
	DATE - 03/15/2019

PLOT SCALE = 20.0000' / in.	REVISOR -
PLOT DATE = 4/11/2019	REVISOR -

DESIGNED - GCN	REVISOR -
DRAWN - CLG	REVISOR -
CHECKED - JWM/GCN	REVISOR -
DATE - 03/15/2019	REVISOR -

**STATE OF ILLINOIS
DEPARTMENT OF TRANSPORTATION**

**SPRINGFIELD RAIL IMPROVEMENTS PROJECT
SPRINGFIELD, SANGAMON COUNTY, ILLINOIS
CROSS SECTIONS - STAGE 1 TRACK**

F.A.U. RTE.	SECTION	COUNTY	TOTAL SHEETS	SHEET NO.
•	(109) VB,(110) VB-5	SANGAMON	382	340
	09L0179B	CONTRACT NO.	93733	

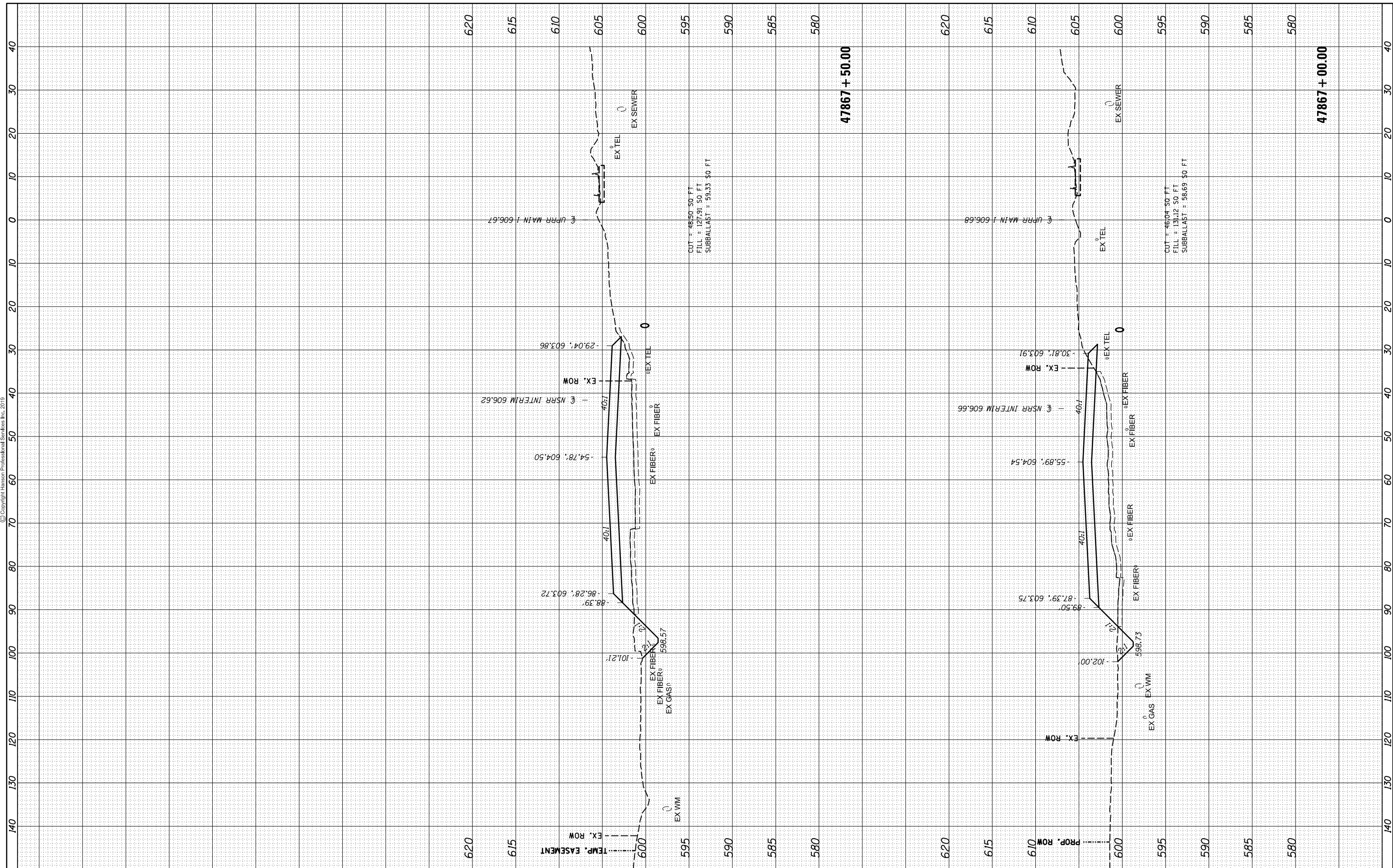
SCALE: SHEET 18 OF 26 SHEETS STA. 47865+00.00 TO STA. 47865+50.00 ±666 & 666 ALT. ILLINOIS FED. AID PROJECT

FINAL SURVEY NO.	SURVEYED	BY	DATE
NOTE BOOK	PLOTTED		
AREAS CHECKED	TEMPLATE		
	AREAS CHECKED		

ORIGINAL SURVEY NO.	SURVEYED	BY	DATE
NOTE BOOK	PLOTTED		
AREAS CHECKED	TEMPLATE		
	AREAS CHECKED		



© Copyright Hanson Professional Services Inc. 2019



FILE NAME =	USER NAME =
D609L0179b-SHT-XSSstage1.US4.dgn	Pop00275
PLOT SCALE = 20.0000' / in.	CHECKED =
PLOT DATE = 4/11/2019	DATE =

DESIGNED -	GCN	REVISED -	
DRAWN -	CLG	REVISED -	
CHECKED -	JWM/GCN	REVISED -	
DATE -	03/15/2019	REVISED -	

**STATE OF ILLINOIS
DEPARTMENT OF TRANSPORTATION**

**SPRINGFIELD RAIL IMPROVEMENTS PROJECT
SPRINGFIELD, SANGAMON COUNTY, ILLINOIS
CROSS SECTIONS - STAGE 1 TRACK**

F.A.U. RTE.	SECTION	COUNTY	TOTAL SHEETS	SHEET NO.
	(109) VB,(110) VB-5	SANGAMON	382	342
	09L0179B		CONTRACT NO.	93733

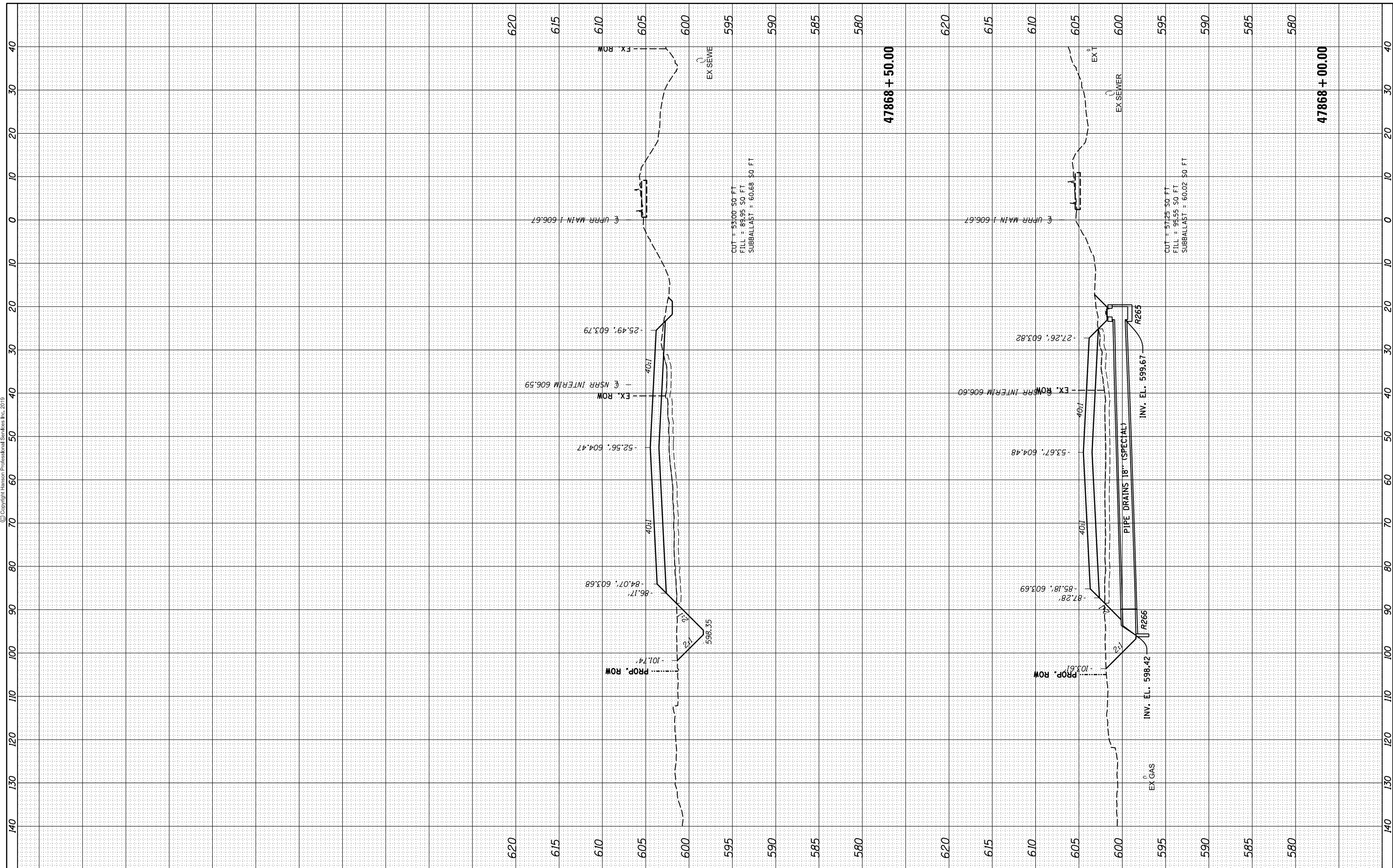
SCALE: SHEET 20 OF 26 SHEETS STA. 47867+00.00 TO STA. 47867+50.00 666 & 666 ALT. ILLINOIS FED. AID PROJECT

FINAL SURVEY NO.	SURVEYED	BY	DATE
NOTE BOOK	PLOTTED		
AREAS CHECKED	TEMPLATE		
	AREAS CHECKED		

ORIGINAL SURVEY NO.	SURVEYED	BY	DATE
NOTE BOOK	PLOTTED		
AREAS CHECKED	TEMPLATE		
	AREAS CHECKED		



© Copyright Hanson Professional Services Inc. 2019



FINAL
FILE NAME = D609L0179b-SHT-XSSstage1.US4.dgn
XS.SHEET_temporary_model_name.z1

USER NAME = Pop00275	DESIGNED - GCN	REVISED -
PLOT SCALE = 20.0000' / in.	DRAWN - CLG	REVISED -
PLOT DATE = 4/11/2019	CHECKED - JWM/GCN	REVISED -
	DATE - 03/15/2019	REVISED -

**STATE OF ILLINOIS
DEPARTMENT OF TRANSPORTATION**

**SPRINGFIELD RAIL IMPROVEMENTS PROJECT
SPRINGFIELD, SANGAMON COUNTY, ILLINOIS
CROSS SECTIONS - STAGE 1 TRACK**

SCALE: SHEET 21 OF 26 SHEETS STA. 47868+00.00 TO STA. 47868+50.00

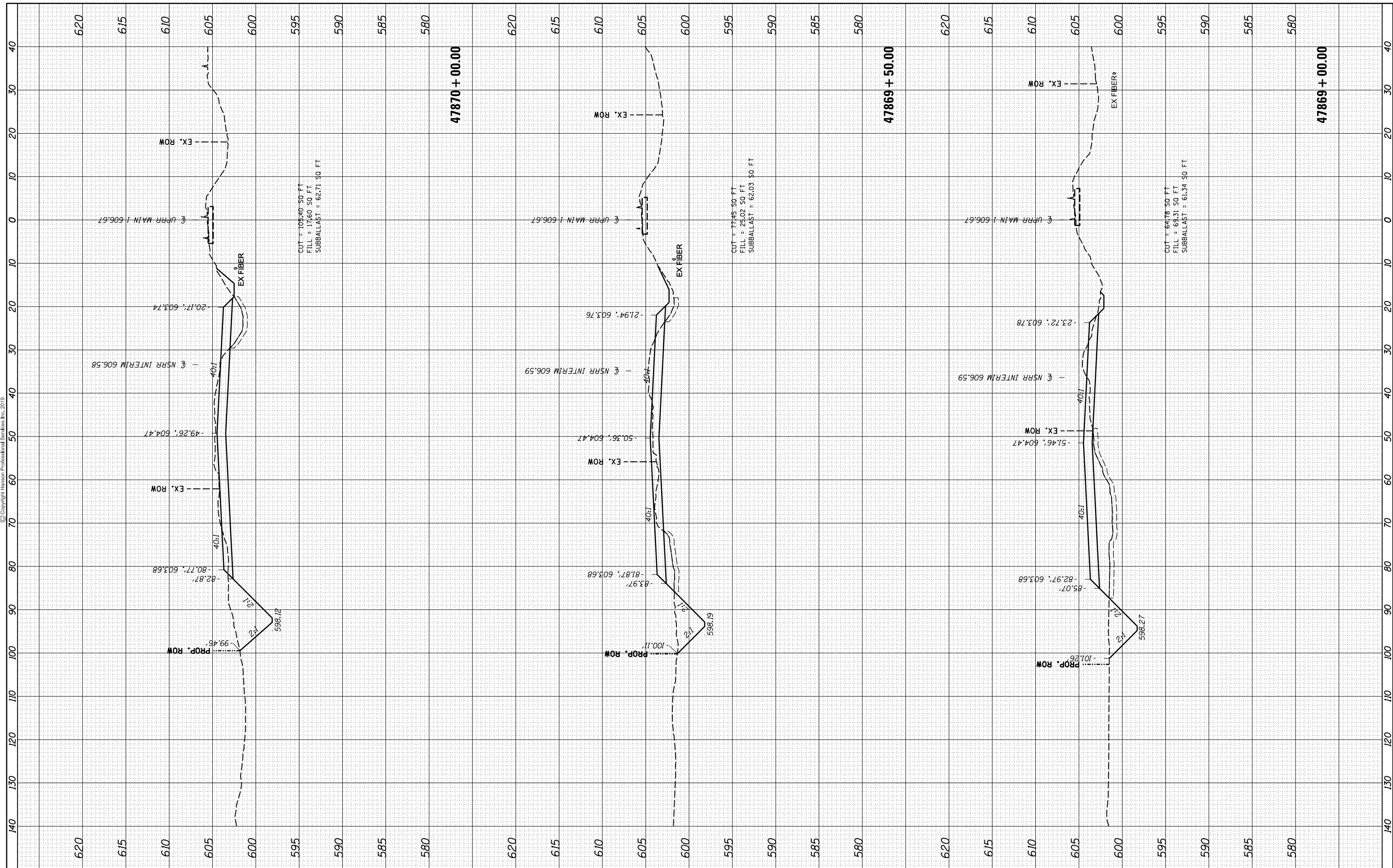
F.A.U. RTE.	SECTION	COUNTY	TOTAL SHEETS	SHEET NO.
	(109) VB,(110) VB-5	SANGAMON	382	343
	09L0179B		CONTRACT NO.	93733
			#666 & 666 ALT. ILLINOIS FED. AID PROJECT	

FINAL SURVEY NO.	SURVEYED	BY	DATE
NOTE BOOK	PLOTTED		
AREAS CHECKED	TEMPLATE		
	AREAS		
	CHECKED		

ORIGINAL SURVEY NO.	SURVEYED	BY	DATE
NOTE BOOK	PLOTTED		
AREAS CHECKED	TEMPLATE		
	AREAS		
	CHECKED		



© Copyright Hanson Professional Services Inc. 2019



FINAL FILE NAME = D:\09L0179b-SHT-XSS\stage1.US4.dgn
 XS.SHEET_temporary_model_name_22

USER NAME = Pop00275	DESIGNED - GCN	REVISED -
	DRAWN - CLG	REVISED -
	CHECKED - JWM/GCN	REVISED -
	DATE - 03/15/2019	REVISED -

**STATE OF ILLINOIS
 DEPARTMENT OF TRANSPORTATION**

**SPRINGFIELD RAIL IMPROVEMENTS PROJECT
 SPRINGFIELD, SANGAMON COUNTY, ILLINOIS
 CROSS SECTIONS - STAGE 1 TRACK**

F.A.U. RTE.	SECTION	COUNTY	TOTAL SHEETS	SHEET NO.
•	(109) VB,(110) VB-5	SANGAMON	382	344
	09L0179B	CONTRACT NO.	93733	

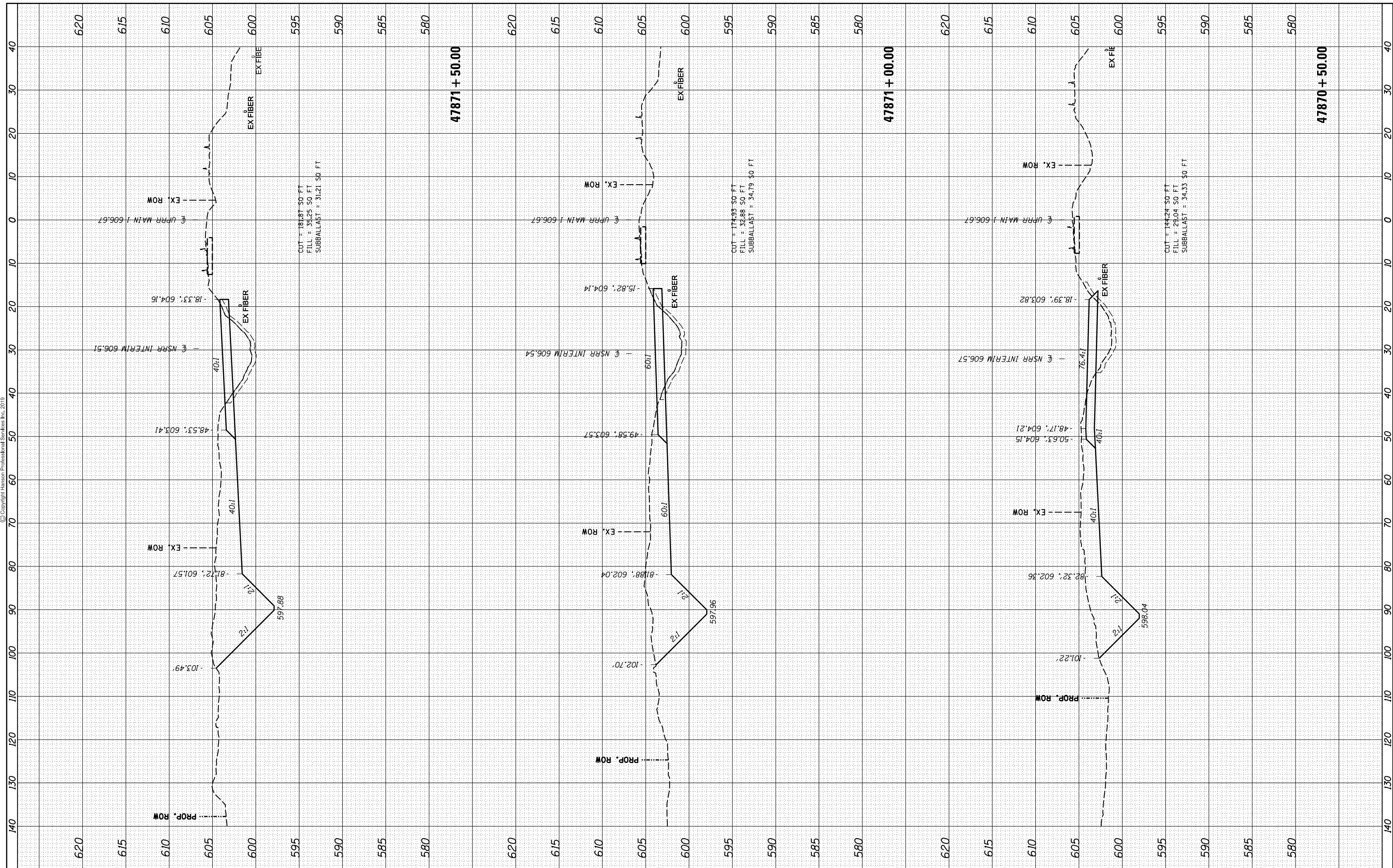
SCALE: SHEET 22 OF 26 SHEETS STA. 47869+00.00 TO STA. 47870+00.00 ±666 & 666 ALT. ILLINOIS FED. AID PROJECT

FINAL SURVEY NO.	SURVEYED PLOTTED AREAS CHECKED	BY	DATE



© Copyright Hanson Professional Services Inc. 2019

ORIGINAL SURVEY NO.	SURVEYED PLOTTED AREAS CHECKED	BY	DATE



47871 + 50.00

47871 + 00.00

47870 + 50.00

FINAL
FILE NAME = D609L0179b-SHT-XSSstage1.US4.dgn
XS_SHEET_temporary_model_name_23

USER NAME = Pop00275	DESIGNED - GCN	REVISED -
PLOT SCALE = 20.0000' / in.	DRAWN - CLG	REVISED -
PLOT DATE = 4/11/2019	CHECKED - JWM/GCN	REVISED -
	DATE - 03/15/2019	REVISED -

STATE OF ILLINOIS
DEPARTMENT OF TRANSPORTATION

SPRINGFIELD RAIL IMPROVEMENTS PROJECT
SPRINGFIELD, SANGAMON COUNTY, ILLINOIS
CROSS SECTIONS - STAGE 1 TRACK

F.A.U. RTE.	SECTION	COUNTY	TOTAL SHEETS	SHEET NO.
•	(109) VB,(110) VB-5	SANGAMON	382	345
	09L0179B		CONTRACT NO.	93733

SCALE: SHEET 23 OF 26 SHEETS STA. 47870+50.00 TO STA. 47871+50.00

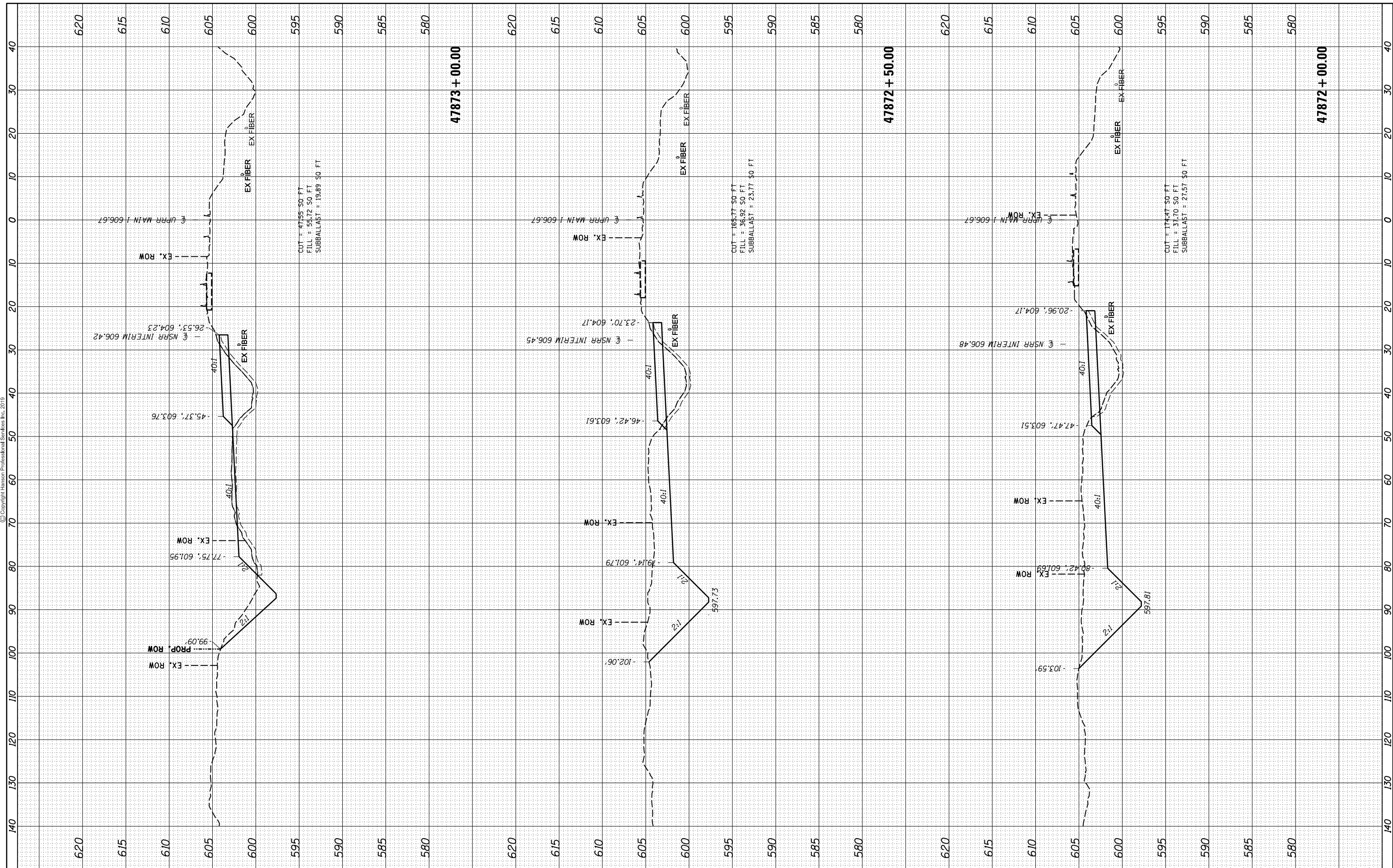
666 & 666 ALT. ILLINOIS FED. AID PROJECT

FINAL SURVEY NO.	SURVEYED PLOTTED TEMPLATE AREAS CHECKED	BY	DATE

ORIGINAL SURVEY NO.	SURVEYED PLOTTED TEMPLATE AREAS CHECKED	BY	DATE



© Copyright Hanson Professional Services Inc. 2019



FILE NAME = D609L0179b-SHT-XSSstage1.US4.dgn
 XS.SHEET_temporary_model_name_24

USER NAME = Pop00275	DESIGNED - GCN	REVISED -
PLOT SCALE = 20.0000' / in.	DRAWN - CLG	REVISED -
PLOT DATE = 4/11/2019	CHECKED - JWM/GCN	REVISED -
	DATE - 03/15/2019	REVISED -

**STATE OF ILLINOIS
DEPARTMENT OF TRANSPORTATION**

**SPRINGFIELD RAIL IMPROVEMENTS PROJECT
SPRINGFIELD, SANGAMON COUNTY, ILLINOIS
CROSS SECTIONS - STAGE 1 TRACK**

F.A.U. RTE.	SECTION	COUNTY	TOTAL SHEETS	SHEET NO.
•	(109) VB,(110) VB-5	SANGAMON	382	346
	09L0179B		CONTRACT NO.	93733

SCALE: SHEET 24 OF 26 SHEETS STA. 47872+00.00 TO STA. 47873+00.00

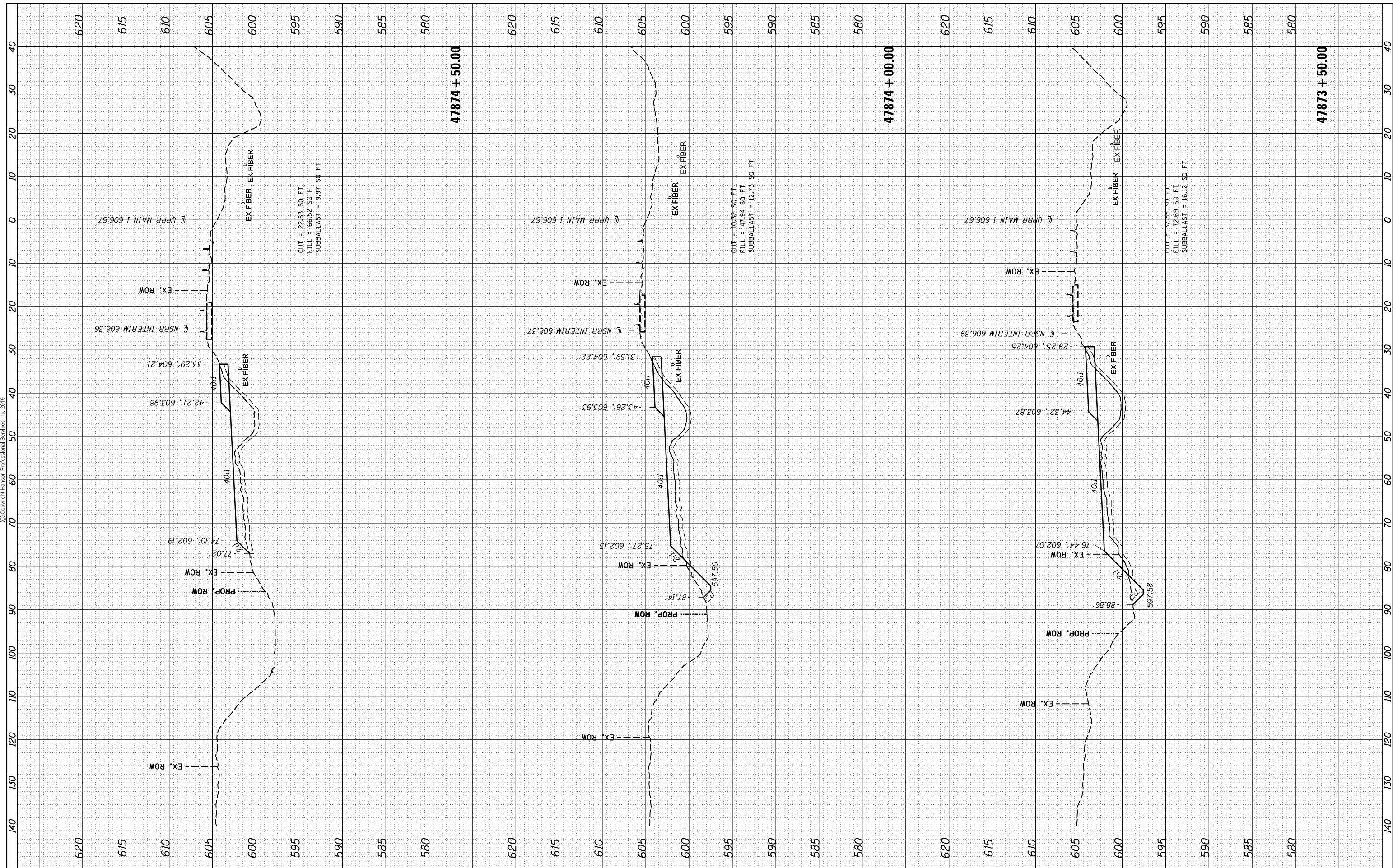
666 & 666 ALT. ILLINOIS FED. AID PROJECT

FINAL SURVEY NO.	SURVEYED PLOTTED TEMPLATE AREAS CHECKED	BY	DATE



© Copyright Hanson Professional Services Inc. 2019

ORIGINAL SURVEY NO.	SURVEYED PLOTTED TEMPLATE AREAS CHECKED	BY	DATE



FILE NAME =	USER NAME = Pop00275	DESIGNED - GCN	REVISED -
D609L0179b-SHT-XSSstage1.US4.dgn		DRAWN - CLG	REVISED -
		CHECKED - JWM/GCN	REVISED -
		DATE - 03/15/2019	REVISED -

**STATE OF ILLINOIS
DEPARTMENT OF TRANSPORTATION**

**SPRINGFIELD RAIL IMPROVEMENTS PROJECT
SPRINGFIELD, SANGAMON COUNTY, ILLINOIS
CROSS SECTIONS - STAGE 1 TRACK**

F.A.U. RTE.	SECTION	COUNTY	TOTAL SHEETS	SHEET NO.
	(109) VB,(110) VB-5	SANGAMON	382	347
	09L0179B		CONTRACT NO.	93733

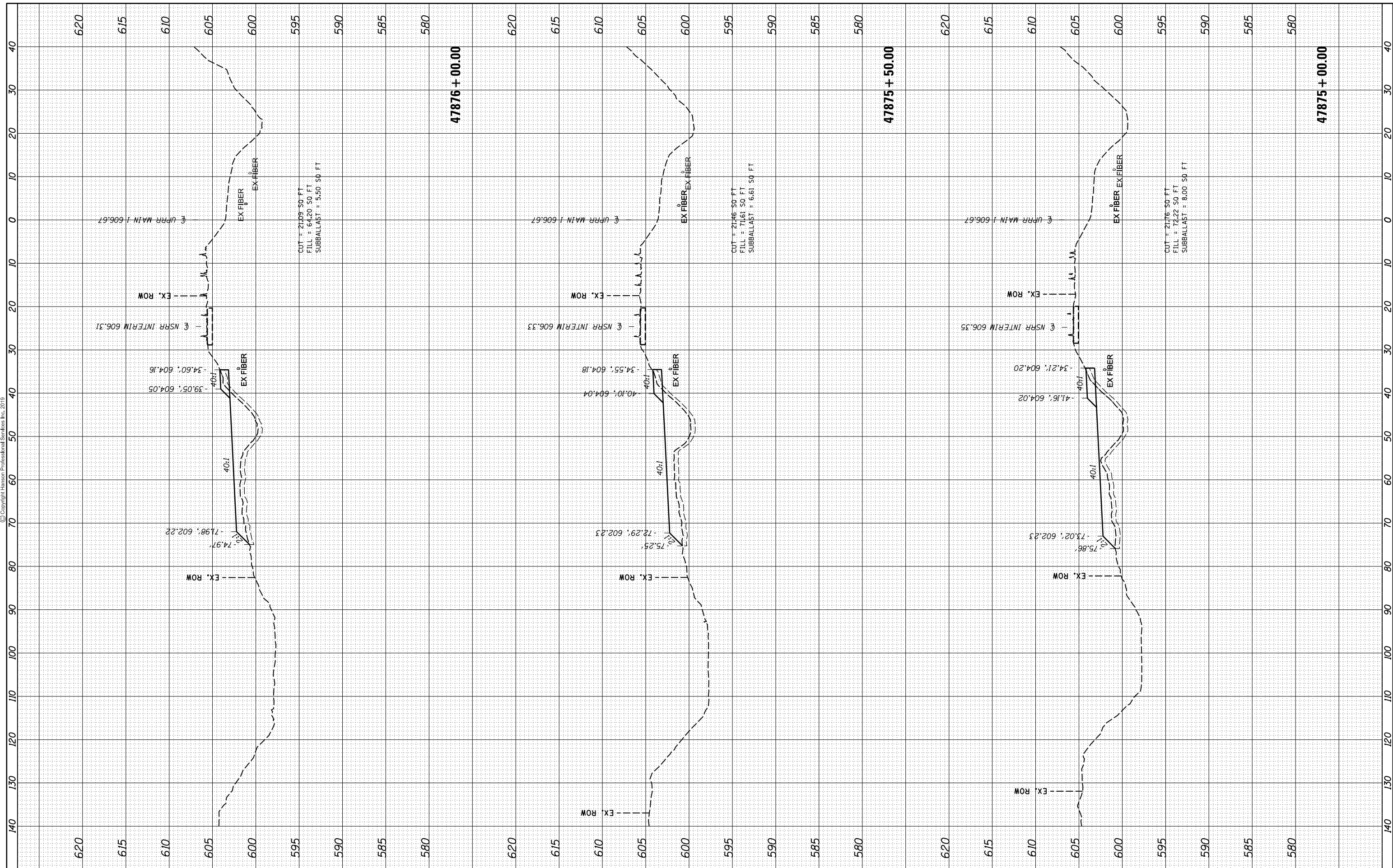
SCALE: SHEET 25 OF 26 SHEETS STA. 47873+50.00 TO STA. 47874+50.00 666 & 666 ALT. ILLINOIS FED. AID PROJECT

FINAL SURVEY NO.	SURVEYED PLOTTED TEMPLATE AREAS CHECKED	BY	DATE

ORIGINAL SURVEY NO.	SURVEYED PLOTTED TEMPLATE AREAS CHECKED	BY	DATE



© Copyright Hanson Professional Services Inc. 2019



47876 + 00.00

47875 + 50.00

47875 + 00.00

CUT = 21.09 SO FT
FILL = 64.20 SO FT
SUBBALLAST = 5.50 SO FT

CUT = 21.46 SO FT
FILL = 71.61 SO FT
SUBBALLAST = 6.61 SO FT

CUT = 21.76 SO FT
FILL = 72.22 SO FT
SUBBALLAST = 8.00 SO FT

FINAL FILE NAME = D609L0179b-SHT-XSSstage1.US4.dgn
XS.SHEET_temporary_model_name_26

USER NAME = Pop00275	DESIGNED - GCN	REVISED -
PLOT SCALE = 20.0000' / in.	DRAWN - CLG	REVISED -
PLOT DATE = 4/11/2019	CHECKED - JWM/GCN	REVISED -
	DATE - 03/15/2019	REVISED -

STATE OF ILLINOIS
DEPARTMENT OF TRANSPORTATION

SPRINGFIELD RAIL IMPROVEMENTS PROJECT
SPRINGFIELD, SANGAMON COUNTY, ILLINOIS
CROSS SECTIONS - STAGE 1 TRACK

F.A.U. RTE.	SECTION	COUNTY	TOTAL SHEETS	SHEET NO.
	(109) VB,(110) VB-5	SANGAMON	382	348
	09L0179B	CONTRACT NO.	93733	

SCALE: SHEET 26 OF 26 SHEETS STA. 47875+00.00 TO STA. 47876+00.00

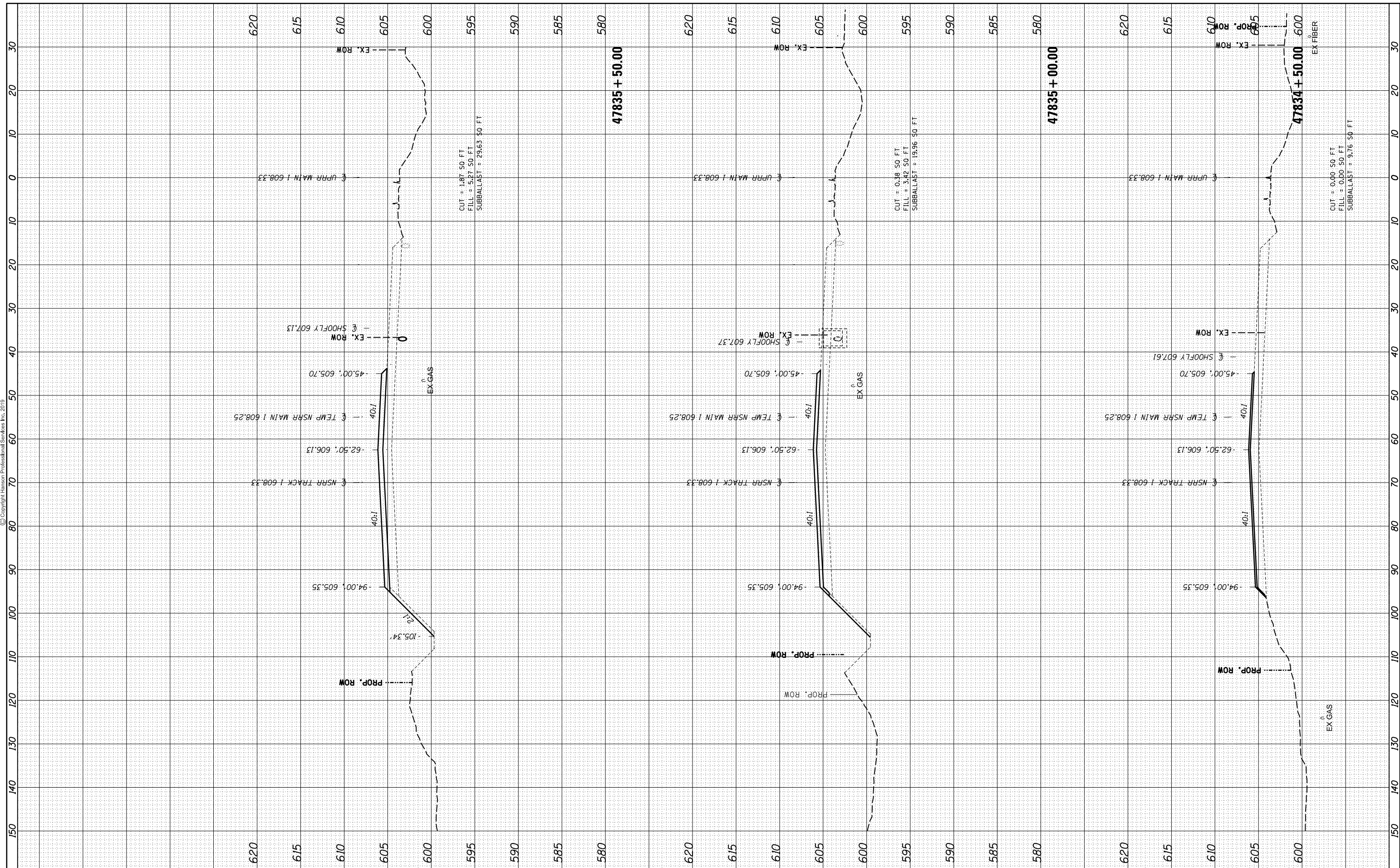
666 & 666 ALT. ILLINOIS FED. AID PROJECT

FINAL SURVEY NO.	SURVEYED	BY	DATE
NOTE BOOK	PLOTTED		
AREAS CHECKED	TEMPLATE		
	AREAS		
	CHECKED		



© Copyright Hanson Professional Services Inc. 2019

ORIGINAL SURVEY NO.	SURVEYED	BY	DATE
NOTE BOOK	PLOTTED		
AREAS CHECKED	TEMPLATE		
	AREAS		
	CHECKED		



FINAL

FILE NAME = D609L0179b-SHT-XSSstage3_US4.dgn
 XS.SHEET_temporary_model_name.1

USER NAME = Pop00275
 DESIGNED - GCN
 DRAWN - CLG
 CHECKED - JWM/GCN
 DATE - 03/15/2019

REVISED -
 REVISED -
 REVISED -
 REVISED -

**STATE OF ILLINOIS
 DEPARTMENT OF TRANSPORTATION**

**SPRINGFIELD RAIL IMPROVEMENTS PROJECT
 SPRINGFIELD, SANGAMON COUNTY, ILLINOIS
 CROSS SECTIONS - STAGE 3 TRACK**

SCALE: SHEET 1 OF 8 SHEETS STA. 47834+50.00 TO STA. 47835+50.00

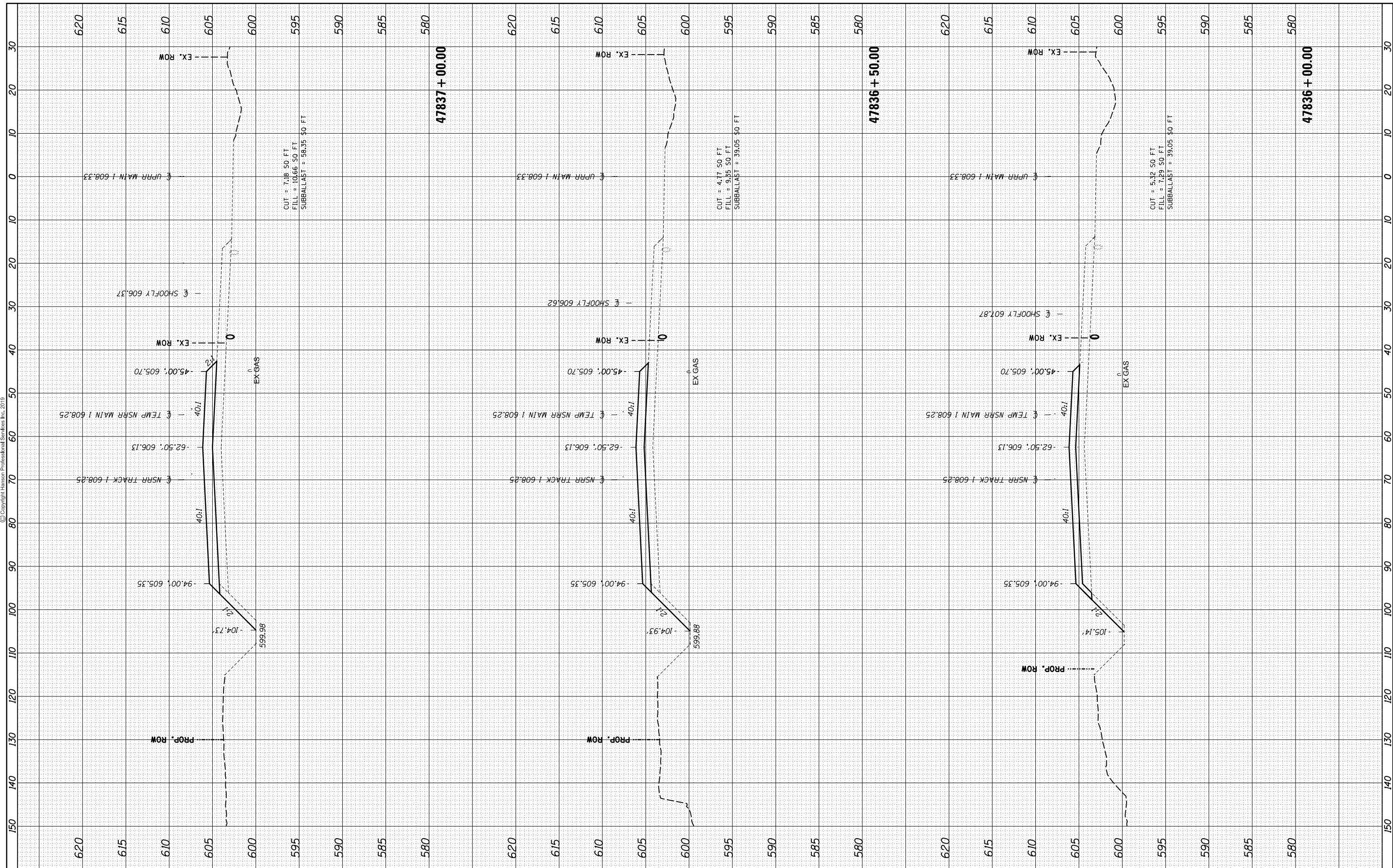
F.A.U. RTE.	SECTION	COUNTY	TOTAL SHEETS	SHEET NO.
	(109) VB,(110) VB-5	SANGAMON	382	349
	09L0179B	CONTRACT NO.	93733	
ILLINOIS FED. AID PROJECT				

FINAL SURVEY NO.	SURVEYED PLOTTED AREAS CHECKED
NOTE BOOK	TEMPLATE
BY	DATE



© Copyright Hanson Professional Services Inc. 2019

ORIGINAL SURVEY NO.	SURVEYED PLOTTED AREAS CHECKED
NOTE BOOK	TEMPLATE
BY	DATE



FINAL FILE NAME = D:\09L0179b-SHT-XSS\stage3_US4.dgn
 XS.SHEET_temporary_model_name_2

USER NAME = Pop00275	DESIGNED - GCN	REVISED -
PLOT SCALE = 20.0000' / in.	DRAWN - CLG	REVISED -
PLOT DATE = 4/11/2019	CHECKED - JWM/GCN	REVISED -
	DATE - 03/15/2019	REVISED -

STATE OF ILLINOIS
DEPARTMENT OF TRANSPORTATION

SPRINGFIELD RAIL IMPROVEMENTS PROJECT
SPRINGFIELD, SANGAMON COUNTY, ILLINOIS
CROSS SECTIONS - STAGE 3 TRACK

SCALE: SHEET 2 OF 8 SHEETS STA. 47836+00.00 TO STA. 47837+00.00

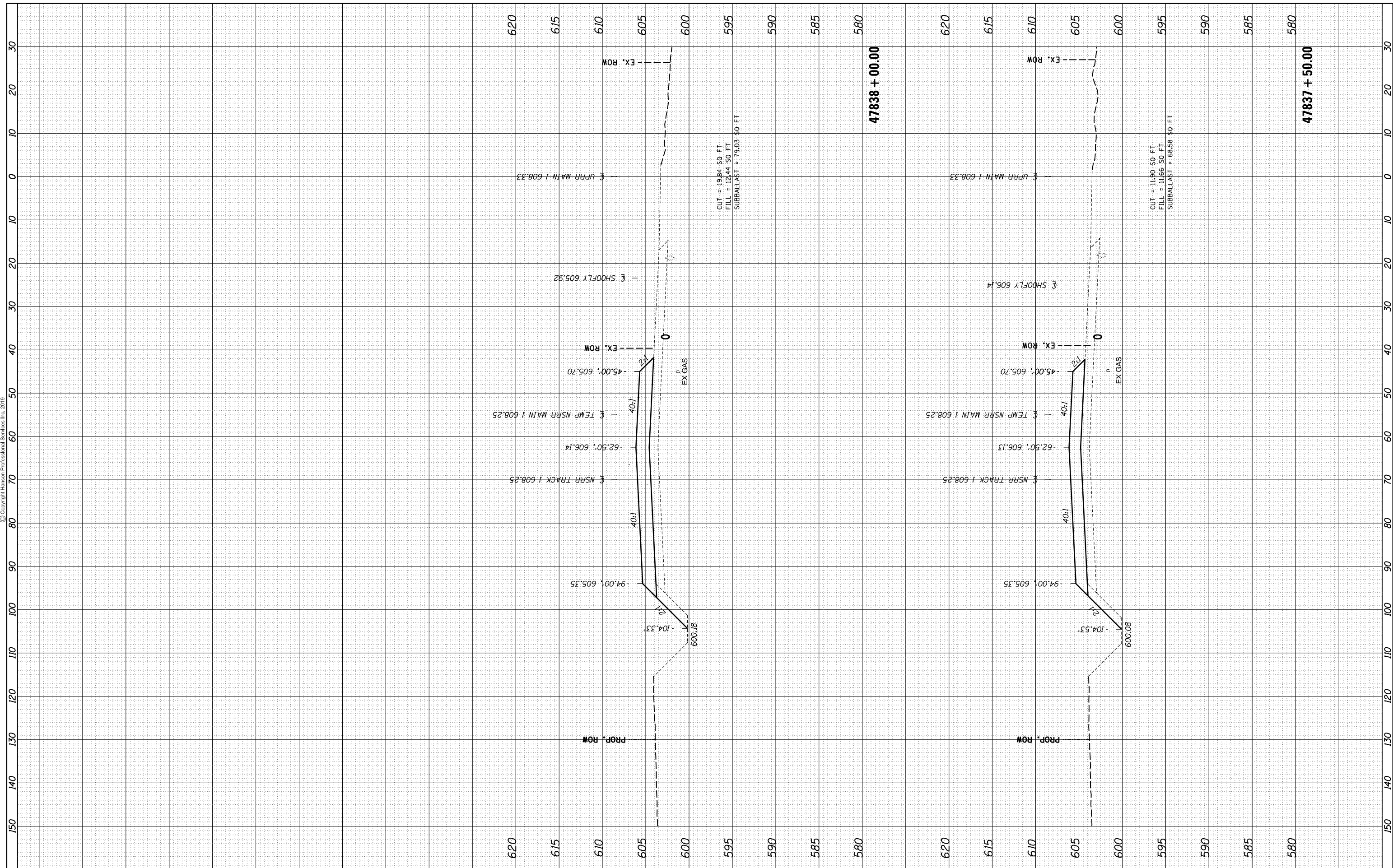
F.A.U. RTE.	SECTION	COUNTY	TOTAL SHEETS	SHEET NO.
•	(109) VB,(110) VB-5	SANGAMON	382	350
	09L0179B	CONTRACT NO.	93733	
ILLINOIS FED. AID PROJECT				

FINAL SURVEY NO.	SURVEYED	BY	DATE
NOTE BOOK	PLOTTED		
AREAS CHECKED	TEMPLATE		
	AREAS		
	CHECKED		



© Copyright Hanson Professional Services Inc. 2019

ORIGINAL SURVEY NO.	SURVEYED	BY	DATE
NOTE BOOK	PLOTTED		
AREAS CHECKED	TEMPLATE		
	AREAS		
	CHECKED		



FILE NAME = D609L0179b-SHT-XSSstage3_US4.dgn
 XS.SHEET_temporary_model_name_3

USER NAME = Pop00275	DESIGNED - GCN	REVISED -
PLOT SCALE = 20.0000' / in.	DRAWN - CLG	REVISED -
PLOT DATE = 4/11/2019	CHECKED - JWM/GCN	REVISED -
	DATE - 03/15/2019	REVISED -

**STATE OF ILLINOIS
DEPARTMENT OF TRANSPORTATION**

**SPRINGFIELD RAIL IMPROVEMENTS PROJECT
SPRINGFIELD, SANGAMON COUNTY, ILLINOIS
CROSS SECTIONS - STAGE 3 TRACK**

F.A.U. RTE.	SECTION	COUNTY	TOTAL SHEETS	SHEET NO.
•	(109) VB,(110) VB-5	SANGAMON	382	351
	09L0179B	CONTRACT NO.	93733	

SCALE: SHEET 3 OF 8 SHEETS STA. 47837+50.00 TO STA. 47838+00.00

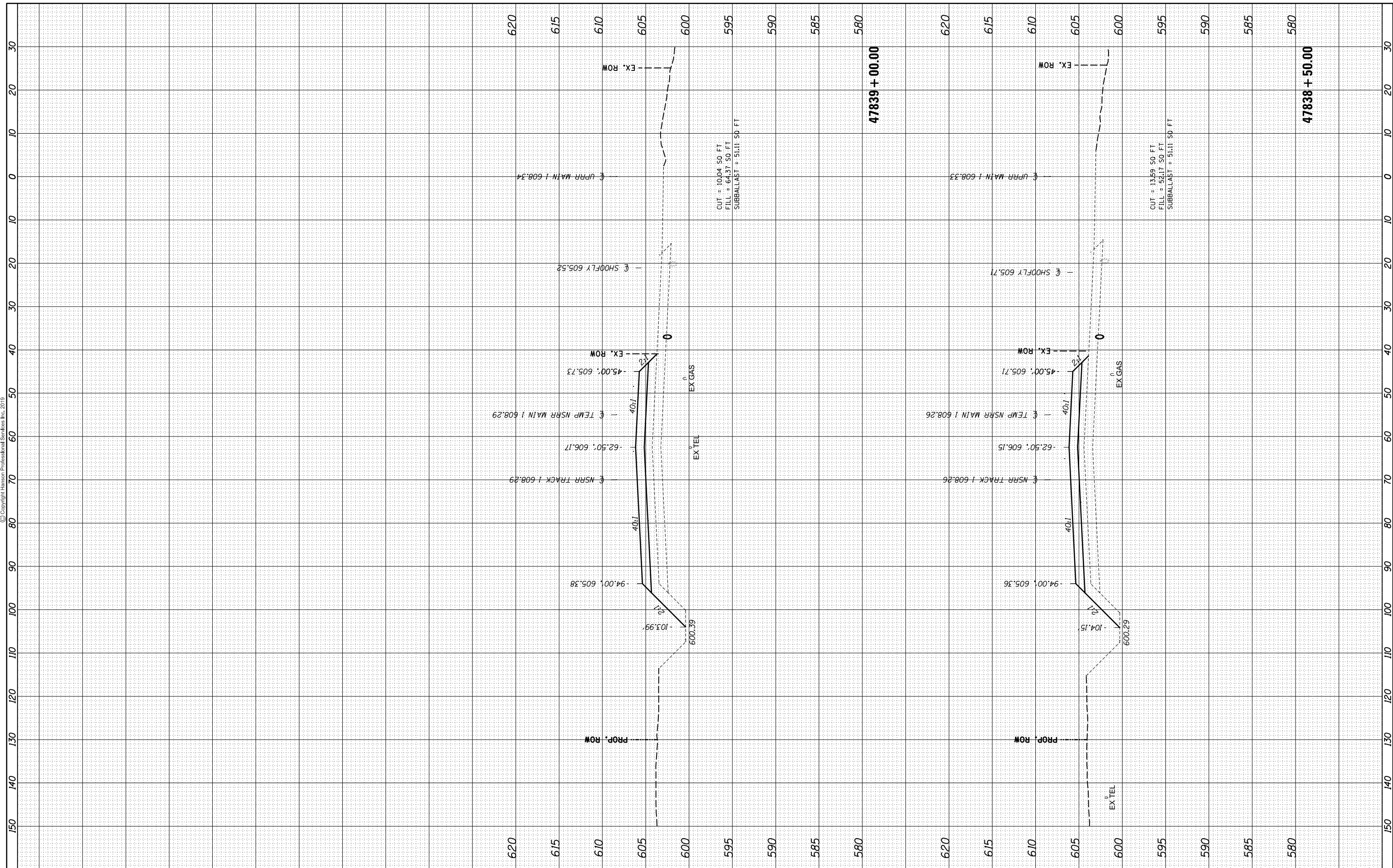
666 & 666 ALT. ILLINOIS FED. AID PROJECT

FINAL SURVEY NO.	SURVEYED	BY	DATE
NOTE BOOK	PLOTTED		
AREAS CHECKED	TEMPLATE		
	AREAS		
	CHECKED		

ORIGINAL SURVEY NO.	SURVEYED	BY	DATE
NOTE BOOK	PLOTTED		
AREAS CHECKED	TEMPLATE		
	AREAS		
	CHECKED		



© Copyright Hanson Professional Services Inc. 2019



FINAL FILE NAME = D609L0179b-SHT-XSSstage3_US4.dgn
XS.SHEET_temporary_model_name_4

USER NAME = Pop00275	DESIGNED - GCN	REVISED -
PLOT SCALE = 20.0000' / in.	DRAWN - CLG	REVISED -
PLOT DATE = 4/11/2019	CHECKED - JWM/GCN	REVISED -
	DATE - 03/15/2019	REVISED -

STATE OF ILLINOIS
DEPARTMENT OF TRANSPORTATION

SPRINGFIELD RAIL IMPROVEMENTS PROJECT
SPRINGFIELD, SANGAMON COUNTY, ILLINOIS
CROSS SECTIONS - STAGE 3 TRACK

F.A.U. RTE.	SECTION	COUNTY	TOTAL SHEETS	SHEET NO.
•	(109) VB,(110) VB-5	SANGAMON	382	352
	09L0179B	CONTRACT NO.	93733	

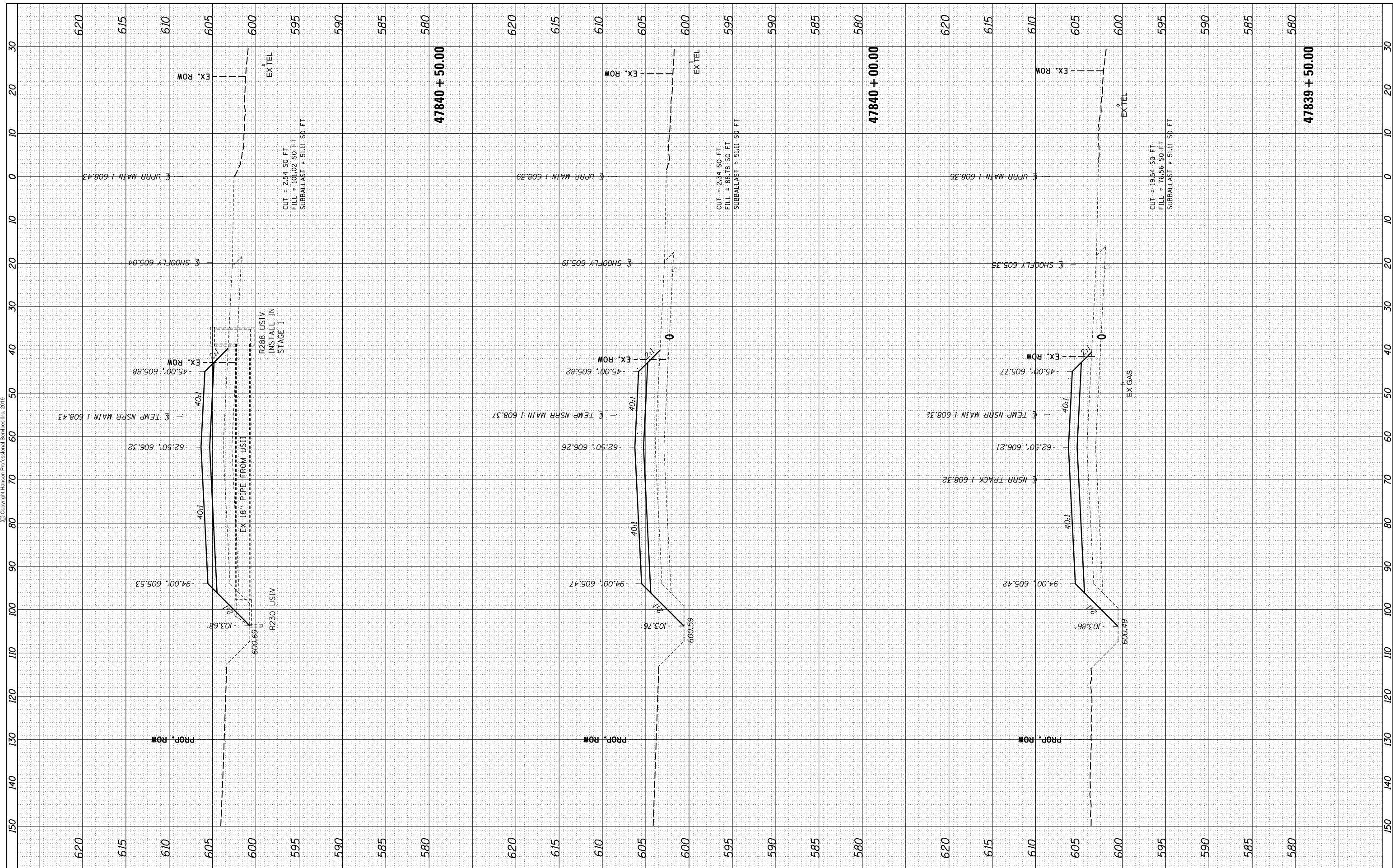
SCALE: SHEET 4 OF 8 SHEETS STA. 47838+50.00 TO STA. 47839+00.00 +666 & 666 ALT. ILLINOIS FED. AID PROJECT

FINAL SURVEY NO.	SURVEYED PLOTTED AREAS CHECKED
NOTE BOOK	TEMPLATE AREAS CHECKED
BY	DATE



© Copyright Hanson Professional Services Inc. 2019

ORIGINAL SURVEY NO.	SURVEYED PLOTTED AREAS CHECKED
NOTE BOOK	TEMPLATE AREAS CHECKED
BY	DATE



FINAL FILE NAME = D609L0179b-SHT-XSSstage3_US4.dgn
 XS.SHEET_temporary_model_name_5

USER NAME = Pop00275	DESIGNED - GCN	REVISED -
PLOT SCALE = 20.0000' / in.	DRAWN - CLG	REVISED -
PLOT DATE = 4/11/2019	CHECKED - JWM/GCN	REVISED -
	DATE - 03/15/2019	REVISED -

**STATE OF ILLINOIS
 DEPARTMENT OF TRANSPORTATION**

**SPRINGFIELD RAIL IMPROVEMENTS PROJECT
 SPRINGFIELD, SANGAMON COUNTY, ILLINOIS
 CROSS SECTIONS - STAGE 3 TRACK**

F.A.U. RTE.	SECTION	COUNTY	TOTAL SHEETS	SHEET NO.
•	(109) VB,(110) VB-5	SANGAMON	382	353
	09L0179B	CONTRACT NO.	93733	

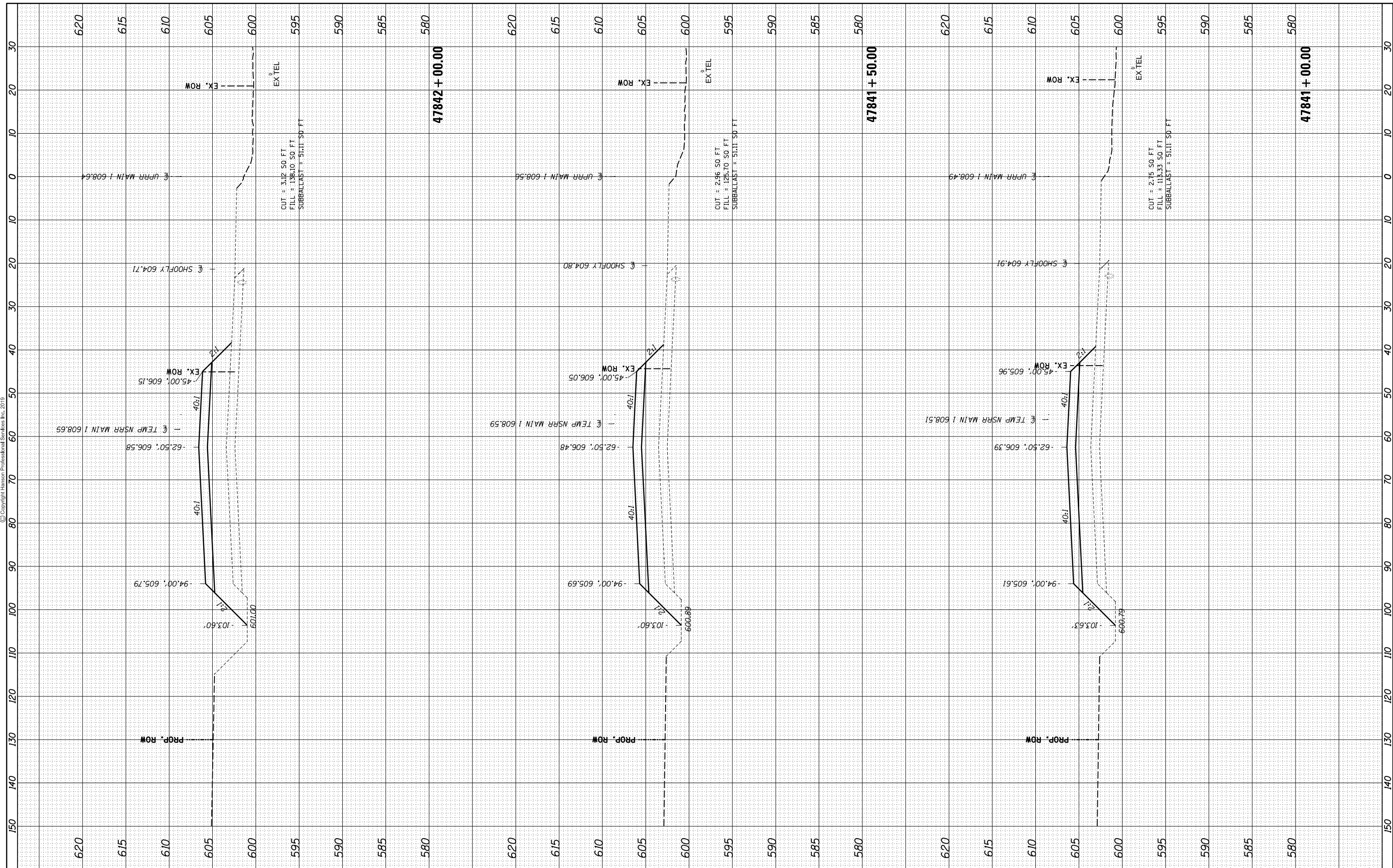
SCALE: SHEET 5 OF 8 SHEETS STA. 47839+50.00 TO STA. 47840+50.00 666 & 666 ALT. ILLINOIS FED. AID PROJECT

FINAL SURVEY NO.	SURVEYED PLOTTED AREAS CHECKED
NOTE BOOK	TEMPLATE
BY	DATE



© Copyright Hanson Professional Services Inc. 2019

ORIGINAL SURVEY NO.	SURVEYED PLOTTED AREAS CHECKED
NOTE BOOK	TEMPLATE
BY	DATE



FINAL
 FILE NAME = D609L0179b-SHT-XSSstage3_US4.dgn
 XS.SHEET_temporary_model_name_6

USER NAME = Pop00275	DESIGNED - GCN	REVISED -
PLOT SCALE = 20.0000' / in.	DRAWN - CLG	REVISED -
PLOT DATE = 4/11/2019	CHECKED - JWM/GCN	REVISED -
	DATE - 03/15/2019	REVISED -

**STATE OF ILLINOIS
 DEPARTMENT OF TRANSPORTATION**

**SPRINGFIELD RAIL IMPROVEMENTS PROJECT
 SPRINGFIELD, SANGAMON COUNTY, ILLINOIS
 CROSS SECTIONS - STAGE 3 TRACK**

F.A.U. RTE.	SECTION	COUNTY	TOTAL SHEETS	SHEET NO.
•	(109) VB,(110) VB-5	SANGAMON	382	354
	09L0179B	CONTRACT NO.	93733	

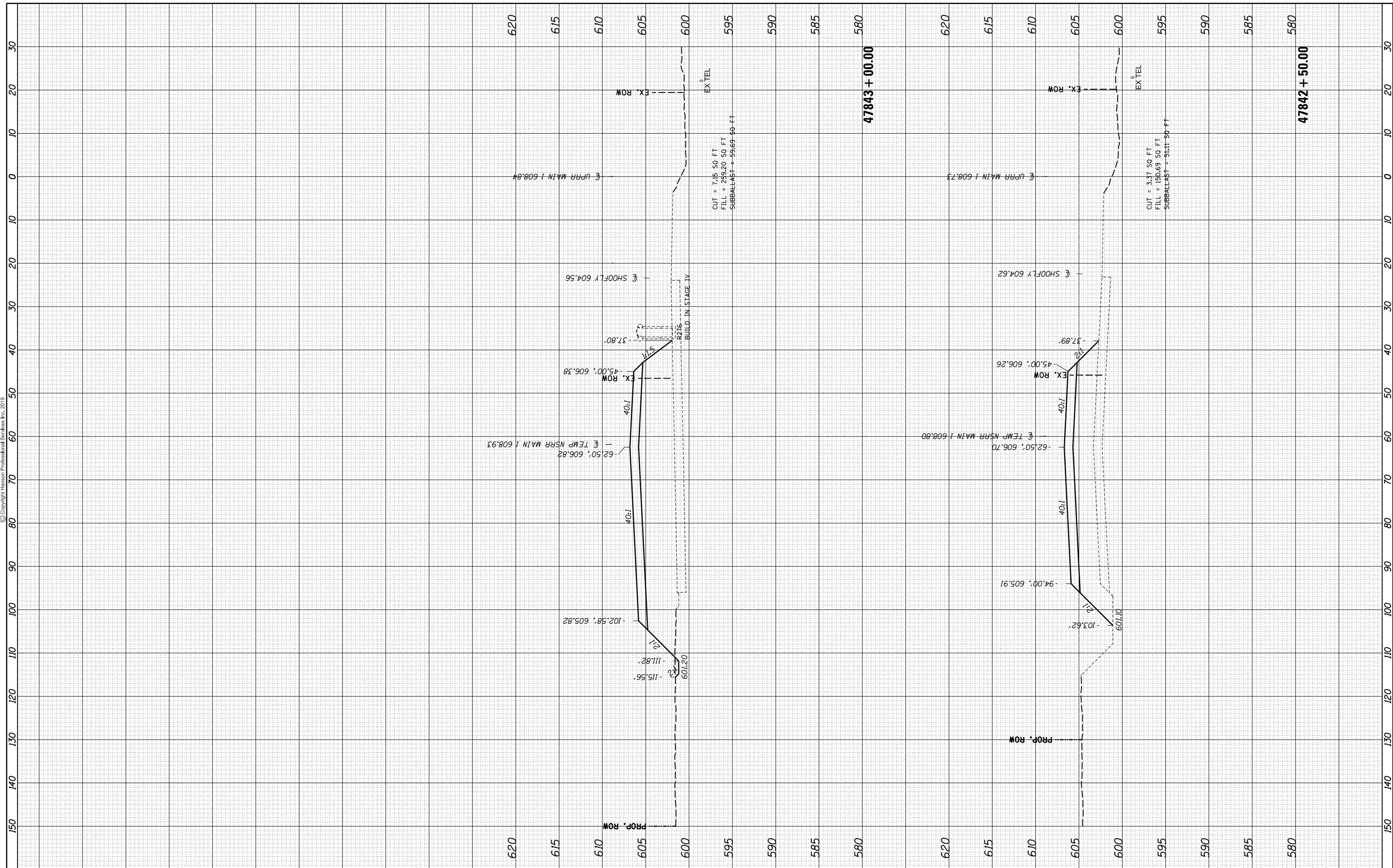
SCALE: SHEET 6 OF 8 SHEETS STA. 47841+00.00 TO STA. 47842+00.00 +666 & 666 ALT. ILLINOIS FED. AID PROJECT

FINAL SURVEY NO.	SURVEYED PLOTTED AREAS CHECKED	BY	DATE

ORIGINAL SURVEY NO.	SURVEYED PLOTTED AREAS CHECKED	BY	DATE



© Copyright Hanson Professional Services Inc. 2019



FILE NAME = D609L0179b-SHT-XSSstage3_US4.dgn
 XS.SHEET_temporary_model_name_7

USER NAME = Pop00275	DESIGNED - GCN	REVISED -
PLOT SCALE = 20.0000' / in.	DRAWN - CLG	REVISED -
PLOT DATE = 4/11/2019	CHECKED - JWM/GCN	REVISED -
	DATE - 03/15/2019	REVISED -

STATE OF ILLINOIS
DEPARTMENT OF TRANSPORTATION

SPRINGFIELD RAIL IMPROVEMENTS PROJECT
SPRINGFIELD, SANGAMON COUNTY, ILLINOIS
CROSS SECTIONS - STAGE 3 TRACK

F.A.U. RTE.	SECTION	COUNTY	TOTAL SHEETS	SHEET NO.
•	(109) VB,(110) VB-5	SANGAMON	382	355
	09L0179B	CONTRACT NO.	93733	

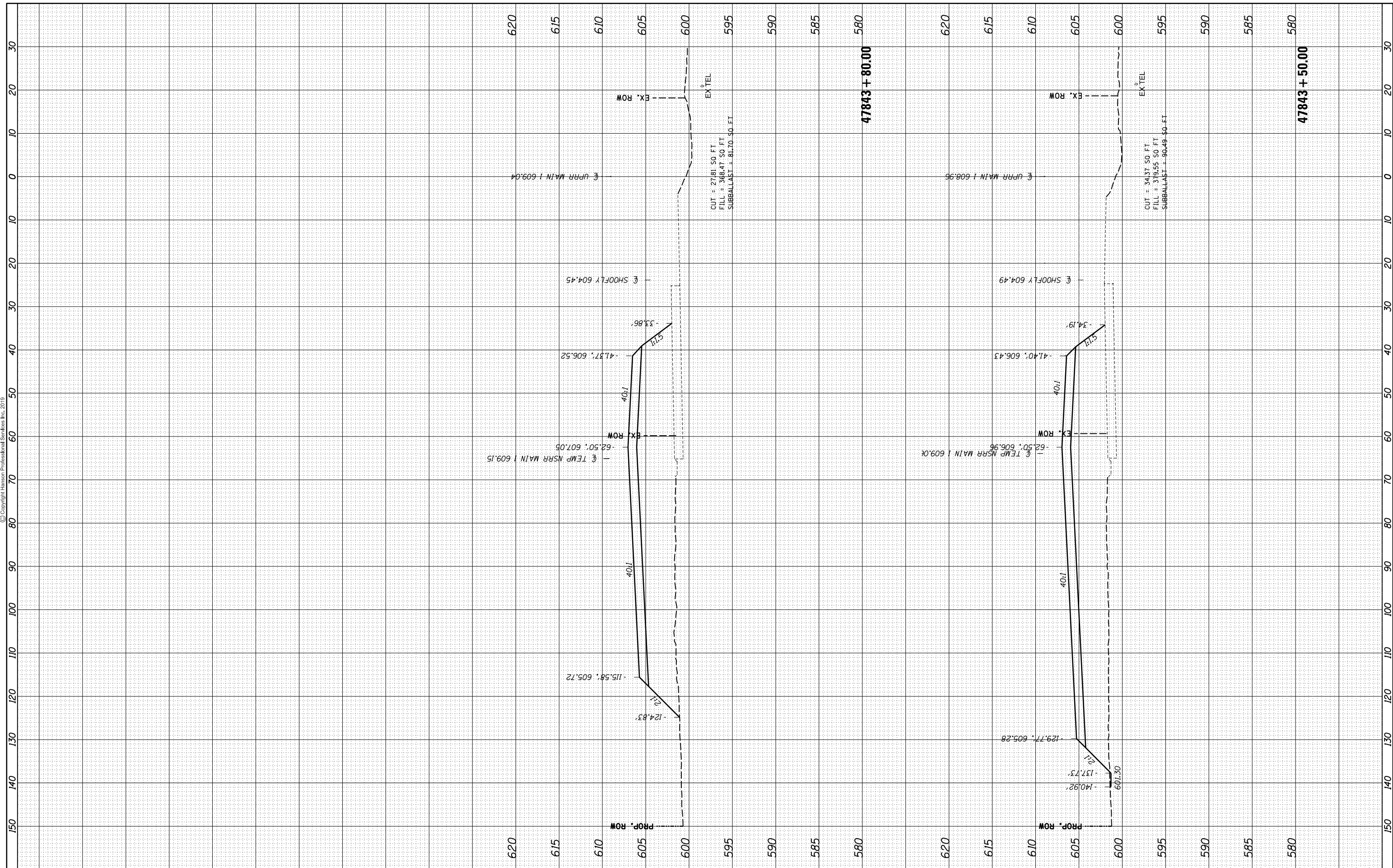
SCALE: SHEET 7 OF 8 SHEETS STA. 47842+50.00 TO STA. 47843+00.00 ±666 & 666 ALT. ILLINOIS FED. AID PROJECT

FINAL SURVEY NO.	SURVEYED	BY	DATE
NOTE BOOK	PLOTTED		
AREAS CHECKED	TEMPLATE		
	AREAS		
	CHECKED		

ORIGINAL SURVEY NO.	SURVEYED	BY	DATE
NOTE BOOK	PLOTTED		
AREAS CHECKED	TEMPLATE		
	AREAS		
	CHECKED		



© Copyright Hanson Professional Services Inc. 2019



FILE NAME = D609L0179b-SHT-XSSstage3_US4.dgn
 USER NAME = Pop00275
 PLOT SCALE = 20.0000' / in.
 PLOT DATE = 4/11/2019

DESIGNED - GCN
 DRAWN - CLG
 CHECKED - JWM/GCN
 DATE - 03/15/2019

REVISED -
 REVISED -
 REVISED -
 REVISED -

**STATE OF ILLINOIS
 DEPARTMENT OF TRANSPORTATION**

**SPRINGFIELD RAIL IMPROVEMENTS PROJECT
 SPRINGFIELD, SANGAMON COUNTY, ILLINOIS
 CROSS SECTIONS - STAGE 3 TRACK**

SCALE: SHEET 8 OF 8 SHEETS STA. 47843+50.00 TO STA. 47843+80.00

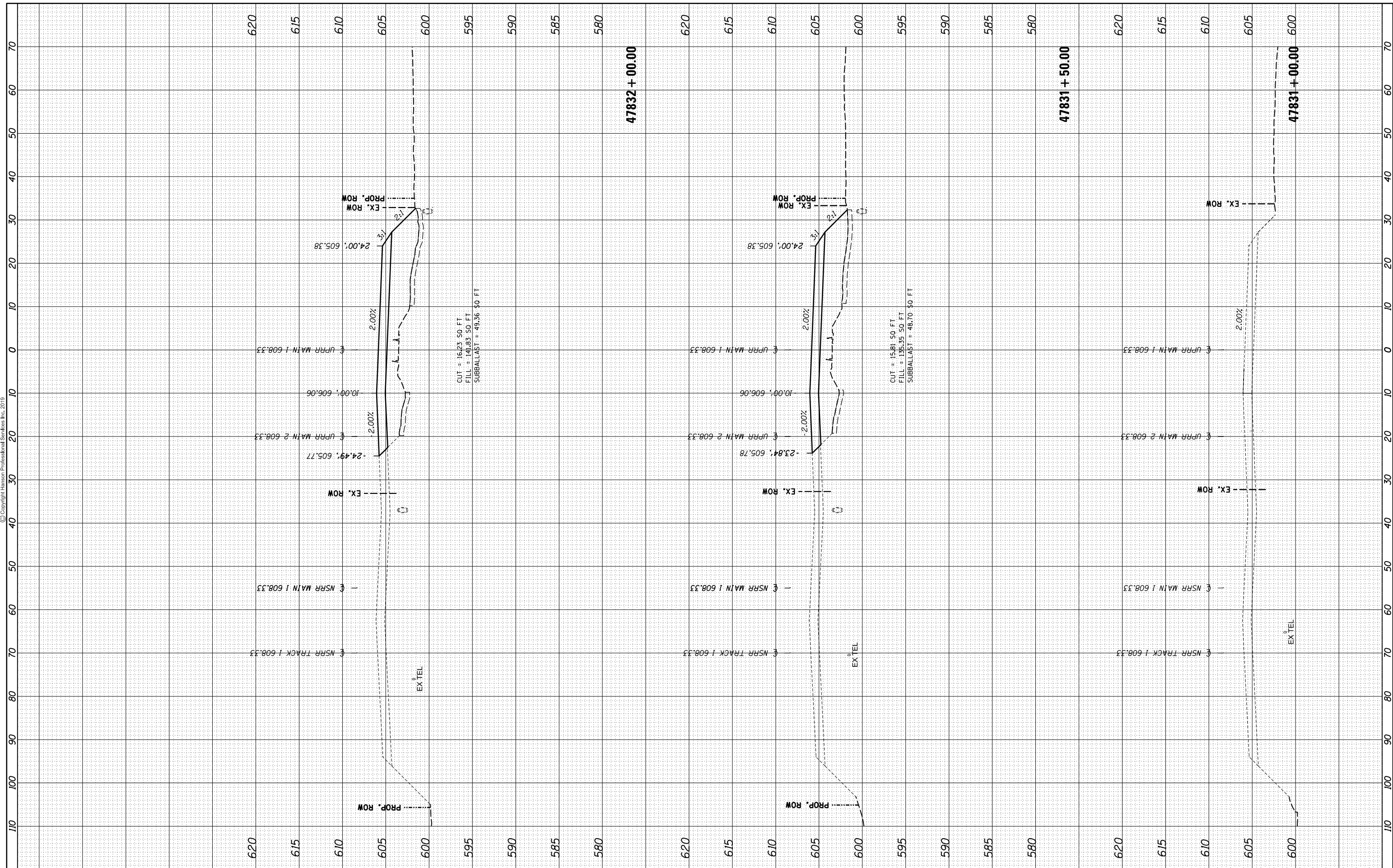
F.A.U. RTE.	SECTION	COUNTY	TOTAL SHEETS	SHEET NO.
•	(109) VB,(110) VB-5	SANGAMON	382	356
	09L0179B	CONTRACT NO.	93733	
ILLINOIS FED. AID PROJECT				

FINAL SURVEY NO.	SURVEYED	BY	DATE
NOTE BOOK	PLOTTED		
AREAS CHECKED	TEMPLATE		
	AREAS		
	CHECKED		

ORIGINAL SURVEY NO.	SURVEYED	BY	DATE
NOTE BOOK	PLOTTED		
AREAS CHECKED	TEMPLATE		
	AREAS		
	CHECKED		



© Copyright Hanson Professional Services Inc. 2019



FILE NAME =	USER NAME = Pop00275
D609L0179b-SHT-XSSstage4_US4.dgn	DESIGNED - GCN
XS.SHEET_temporary_model_name.1	DRAWN - CLG
	CHECKED - JWM/GCN
	DATE - 03/15/2019

PLOT SCALE = 20.0000' / in.	REVISIONS
PLOT DATE = 4/11/2019	REVISION 1
	REVISION 2
	REVISION 3
	REVISION 4

**STATE OF ILLINOIS
DEPARTMENT OF TRANSPORTATION**

**SPRINGFIELD RAIL IMPROVEMENTS PROJECT
SPRINGFIELD, SANGAMON COUNTY, ILLINOIS
CROSS SECTIONS - STAGE 4 TRACK**

F.A.U. RTE.	SECTION	COUNTY	TOTAL SHEETS	SHEET NO.
09L0179B	(109) VB,(110) VB-5	SANGAMON	382	357
	09L0179B		CONTRACT NO.	93733

SCALE: SHEET 1 OF 26 SHEETS STA. 47831+00.00 TO STA. 47832+00.00

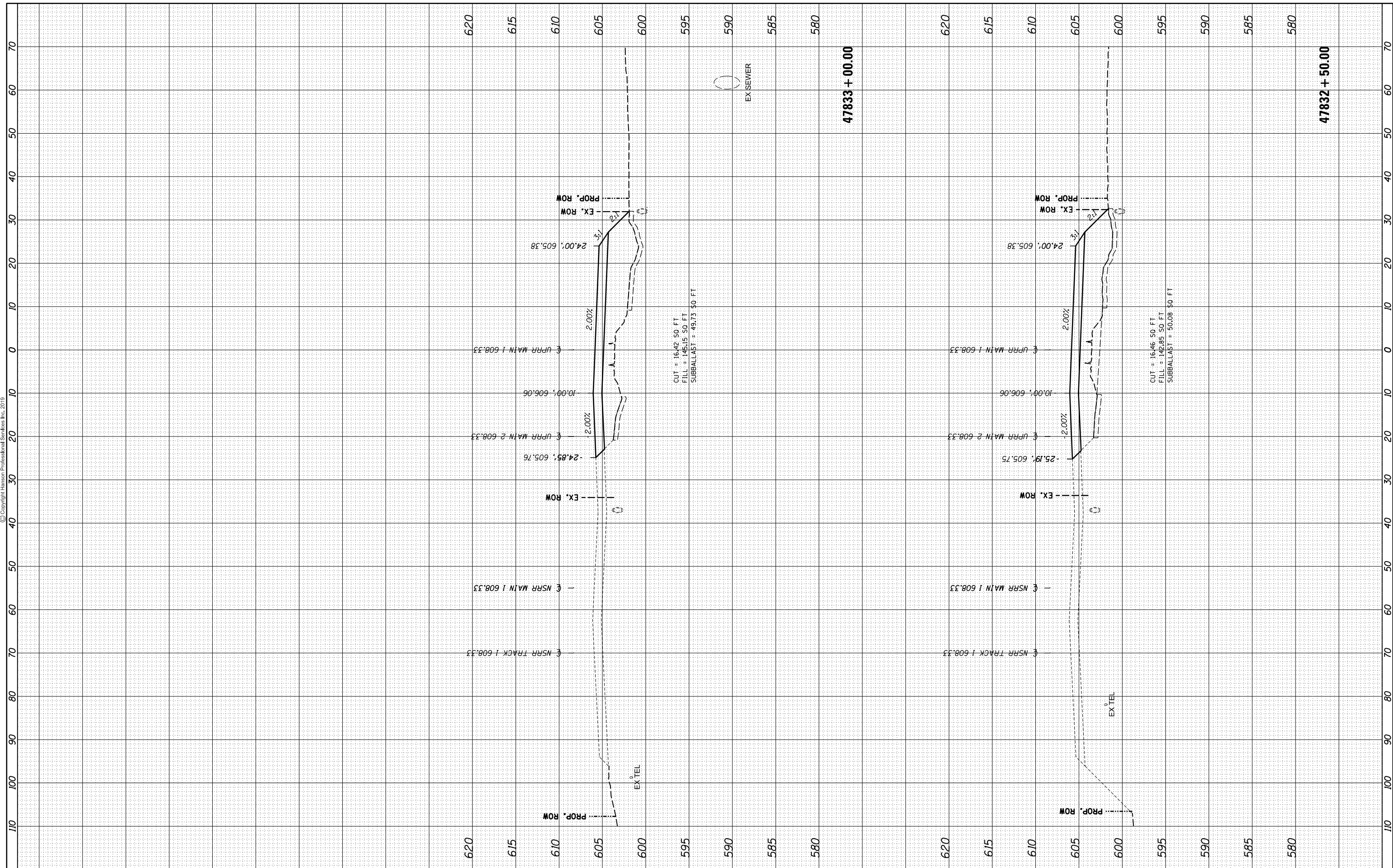
666 & 666 ALT. ILLINOIS FED. AID PROJECT

FINAL SURVEY NO.	SURVEYED	BY	DATE
NOTE BOOK	PLOTTED		
AREAS CHECKED	TEMPLATE		
	AREAS		
	CHECKED		



© Copyright Hanson Professional Services Inc. 2019

ORIGINAL SURVEY NO.	SURVEYED	BY	DATE
NOTE BOOK	PLOTTED		
AREAS CHECKED	TEMPLATE		
	AREAS		
	CHECKED		



FINAL FILE NAME = D609L0179b-SHT-XSSstage4_US4.dgn
XS.SHEET_temporary_model_name_2

USER NAME = Pop00275	DESIGNED - GCN	REVISED -
PLOT SCALE = 20.0000' / in.	DRAWN - CLG	REVISED -
PLOT DATE = 4/11/2019	CHECKED - JWM/GCN	REVISED -
	DATE - 03/15/2019	REVISED -

**STATE OF ILLINOIS
DEPARTMENT OF TRANSPORTATION**

**SPRINGFIELD RAIL IMPROVEMENTS PROJECT
SPRINGFIELD, SANGAMON COUNTY, ILLINOIS
CROSS SECTIONS - STAGE 4 TRACK**

F.A.U. RTE.	SECTION	COUNTY	TOTAL SHEETS	SHEET NO.
•	(109) VB,(110) VB-5	SANGAMON	382	358
	09L0179B	CONTRACT NO.	93733	

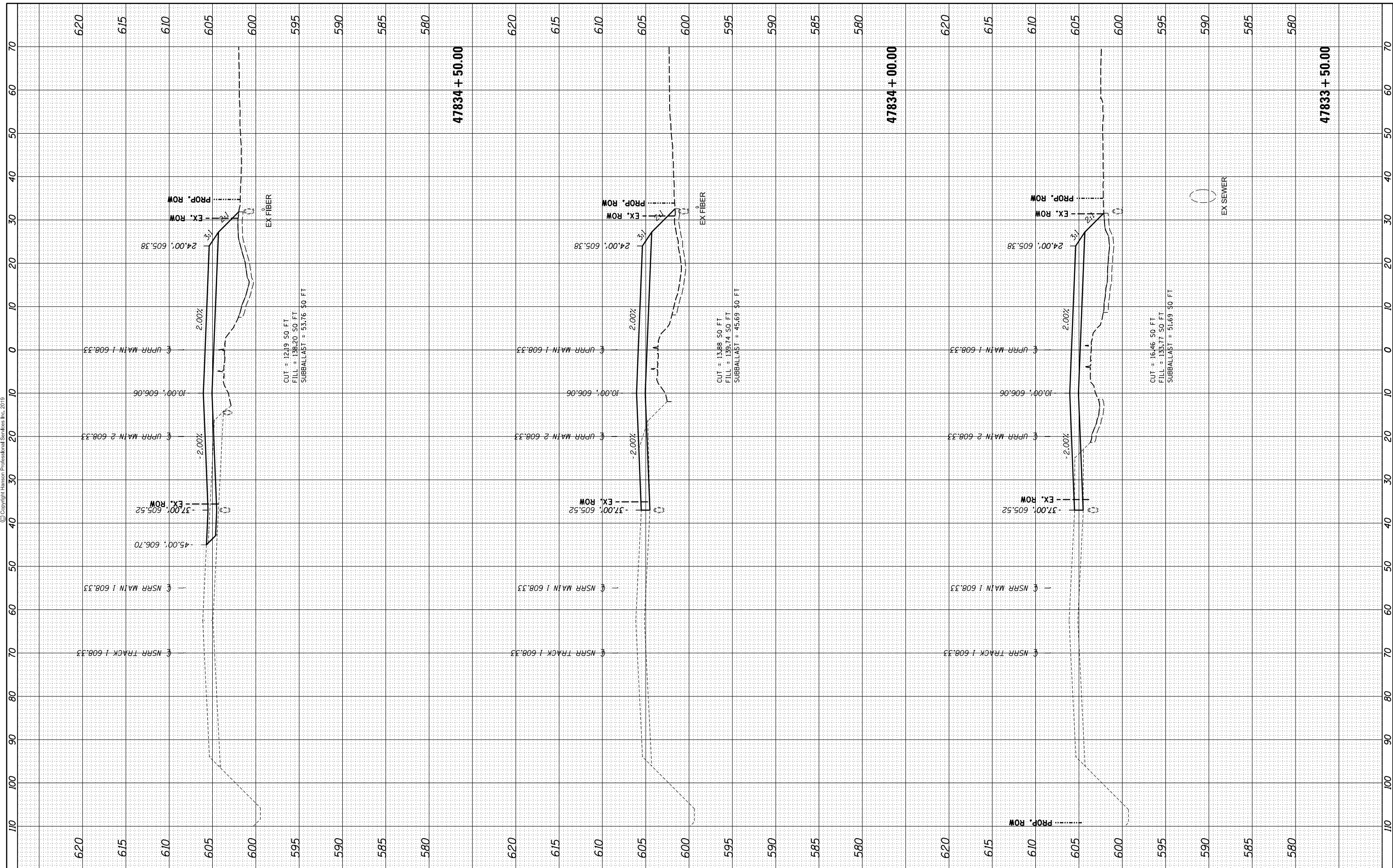
SCALE: SHEET 2 OF 26 SHEETS STA. 47832+50.00 TO STA. 47833+00.00 666 & 666 ALT. ILLINOIS FED. AID PROJECT

FINAL SURVEY	SURVEYED	BY	DATE
NOTE BOOK	PLOTTED		
AREAS CHECKED	TEMPLATE		
NO.	AREAS CHECKED		



© Copyright Hanson Professional Services Inc. 2019

ORIGINAL SURVEY	SURVEYED	BY	DATE
NOTE BOOK	PLOTTED		
AREAS CHECKED	TEMPLATE		
NO.	AREAS CHECKED		



FINAL
FILE NAME = D609L0179b-SHT-XSSstage4_US4.dgn
XS.SHEET_temporary_model_name_3

USER NAME = Pop00275	DESIGNED - GCN	REVISED -
	DRAWN - CLG	REVISED -
	CHECKED - JWM/GCN	REVISED -
	DATE - 03/15/2019	REVISED -

STATE OF ILLINOIS
DEPARTMENT OF TRANSPORTATION

SCALE: SHEET 3 OF 26 SHEETS STA. 47833+50.00 TO STA. 47834+50.00

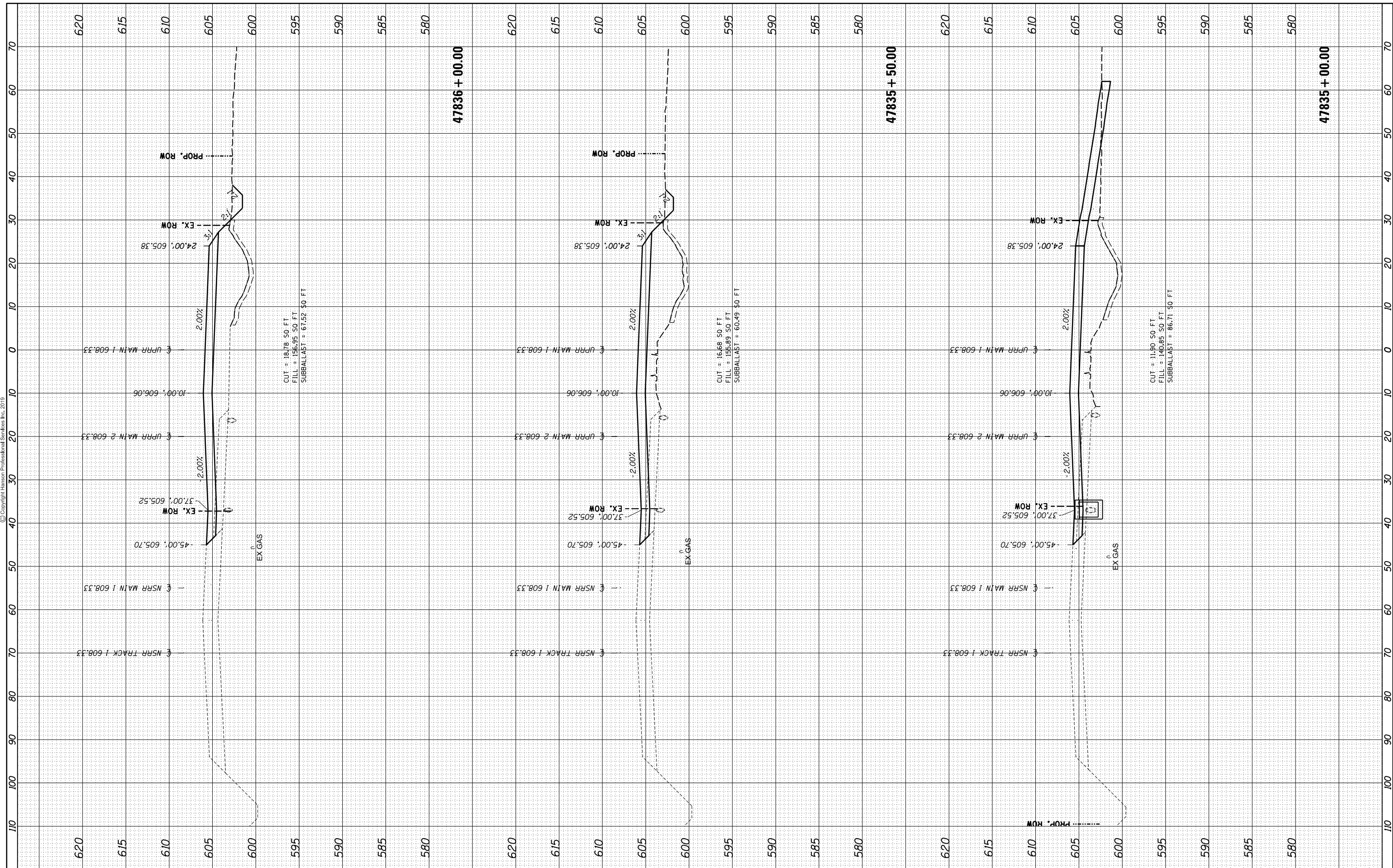
F.A.U. RTE.	SECTION	COUNTY	TOTAL SHEETS	SHEET NO.
•	(109) VB,(110) VB-5	SANGAMON	382	359
	09L0179B		CONTRACT NO.	93733
			ILLINOIS FED. AID PROJECT	

FINAL SURVEY NO.	SURVEYED	BY	DATE
NOTE BOOK	PLOTTED		
AREAS CHECKED	TEMPLATE		
	AREAS		
	CHECKED		



© Copyright Hanson Professional Services Inc. 2019

ORIGINAL SURVEY NO.	SURVEYED	BY	DATE
NOTE BOOK	PLOTTED		
AREAS CHECKED	TEMPLATE		
	AREAS		
	CHECKED		



FINAL
FILE NAME = D609L0179b-SHT-XSSstage4_US4.dgn
XS.SHEET_temporary_model_name_4

USER NAME = Pop00275	DESIGNED - GCN	REVISED -
	DRAWN - CLG	REVISED -
	CHECKED - JWM/GCN	REVISED -
	DATE - 03/15/2019	REVISED -

STATE OF ILLINOIS
DEPARTMENT OF TRANSPORTATION

SPRINGFIELD RAIL IMPROVEMENTS PROJECT
SPRINGFIELD, SANGAMON COUNTY, ILLINOIS
CROSS SECTIONS - STAGE 4 TRACK

F.A.U. RTE.	SECTION	COUNTY	TOTAL SHEETS	SHEET NO.
	(109) VB,(110) VB-5	SANGAMON	382	360
	09L0179B		CONTRACT NO.	93733

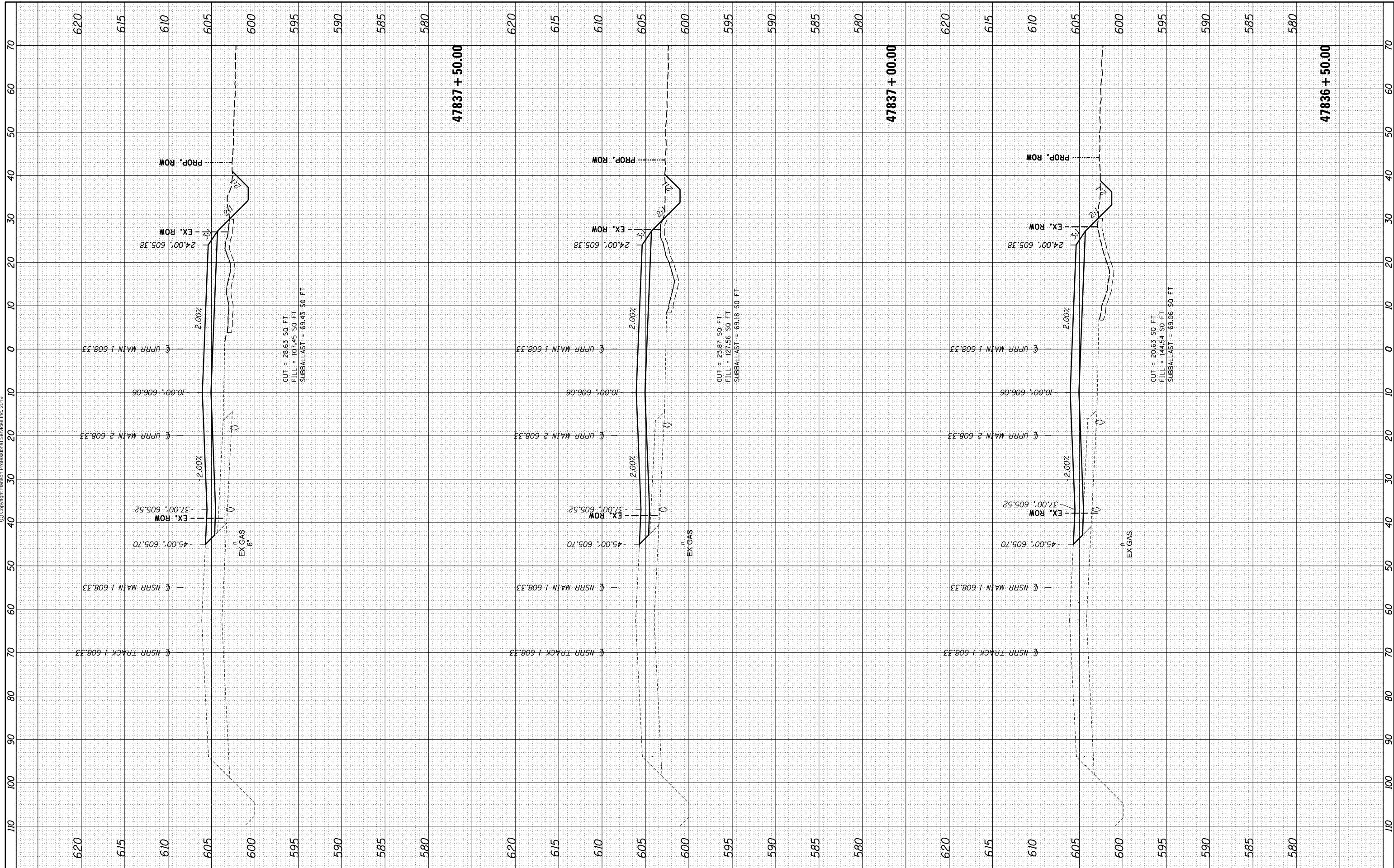
SCALE: SHEET 4 OF 26 SHEETS STA. 47835+00.00 TO STA. 47836+00.00 666 & 666 ALT. ILLINOIS FED. AID PROJECT

FINAL SURVEY NO.	SURVEYED	BY	DATE
NOTE BOOK	PLOTTED		
AREAS CHECKED	TEMPLATE		
	AREAS		
	CHECKED		



© Copyright Hanson Professional Services Inc. 2019

ORIGINAL SURVEY NO.	SURVEYED	BY	DATE
NOTE BOOK	PLOTTED		
AREAS CHECKED	TEMPLATE		
	AREAS		
	CHECKED		



FINAL
FILE NAME = D609L0179b-SHT-XSSstage4_US4.dgn
XS.SHEET_temporary_model_name_5

USER NAME = Pop00275
DESIGNED - GCN
DRAWN - CLG
CHECKED - JWM/GCN
DATE - 03/15/2019

REVISED -
REVISED -
REVISED -
REVISED -

STATE OF ILLINOIS
DEPARTMENT OF TRANSPORTATION

SPRINGFIELD RAIL IMPROVEMENTS PROJECT
SPRINGFIELD, SANGAMON COUNTY, ILLINOIS
CROSS SECTIONS - STAGE 4 TRACK

F.A.U. RTE.	SECTION	COUNTY	TOTAL SHEETS	SHEET NO.
•	(109) VB,(110) VB-5	SANGAMON	382	361
	09L0179B		CONTRACT NO.	93733

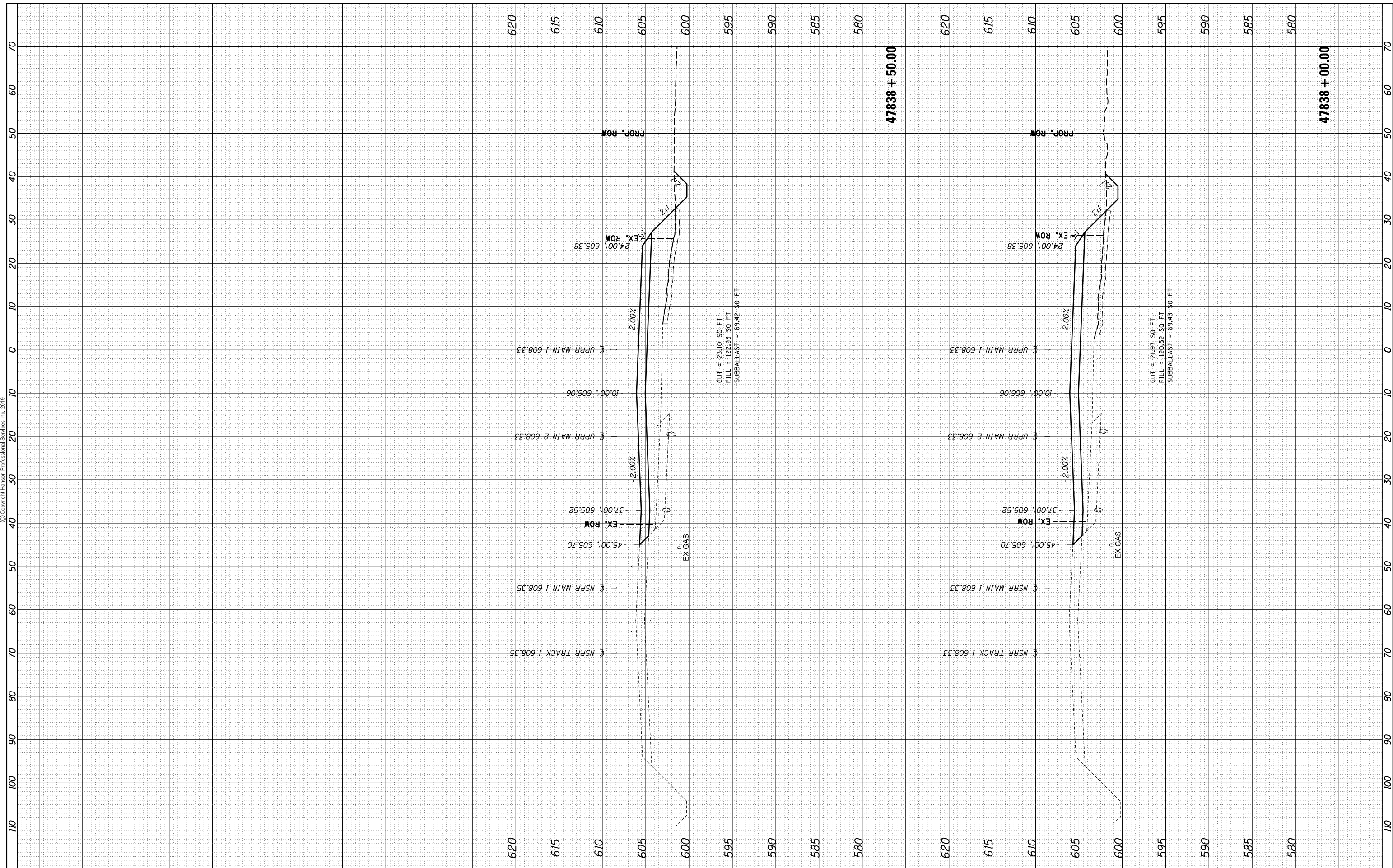
SCALE: SHEET 5 OF 26 SHEETS STA. 47836+50.00 TO STA. 47837+50.00 666 & 666 ALT. ILLINOIS FED. AID PROJECT

FINAL SURVEY NO.	SURVEYED	BY	DATE
NOTE BOOK	PLOTTED		
AREAS CHECKED	TEMPLATE		
	AREAS		
	CHECKED		



© Copyright Hanson Professional Services Inc. 2019

ORIGINAL SURVEY NO.	SURVEYED	BY	DATE
NOTE BOOK	PLOTTED		
AREAS CHECKED	TEMPLATE		
	AREAS		
	CHECKED		



FINAL FILE NAME = D609L0179b-SHT-XSSstage4_US4.dgn
XS.SHEET_temporary_model_name_6

USER NAME = Pop00275	DESIGNED - GCN	REVISED -
PLOT SCALE = 20.0000' / in.	DRAWN - CLG	REVISED -
PLOT DATE = 4/11/2019	CHECKED - JWM/GCN	REVISED -
	DATE - 03/15/2019	REVISED -

STATE OF ILLINOIS
DEPARTMENT OF TRANSPORTATION

SPRINGFIELD RAIL IMPROVEMENTS PROJECT
SPRINGFIELD, SANGAMON COUNTY, ILLINOIS
CROSS SECTIONS - STAGE 4 TRACK

F.A.U. RTE.	SECTION	COUNTY	TOTAL SHEETS	SHEET NO.
•	(109) VB,(110) VB-5	SANGAMON	382	362
	09L0179B	CONTRACT NO.	93733	

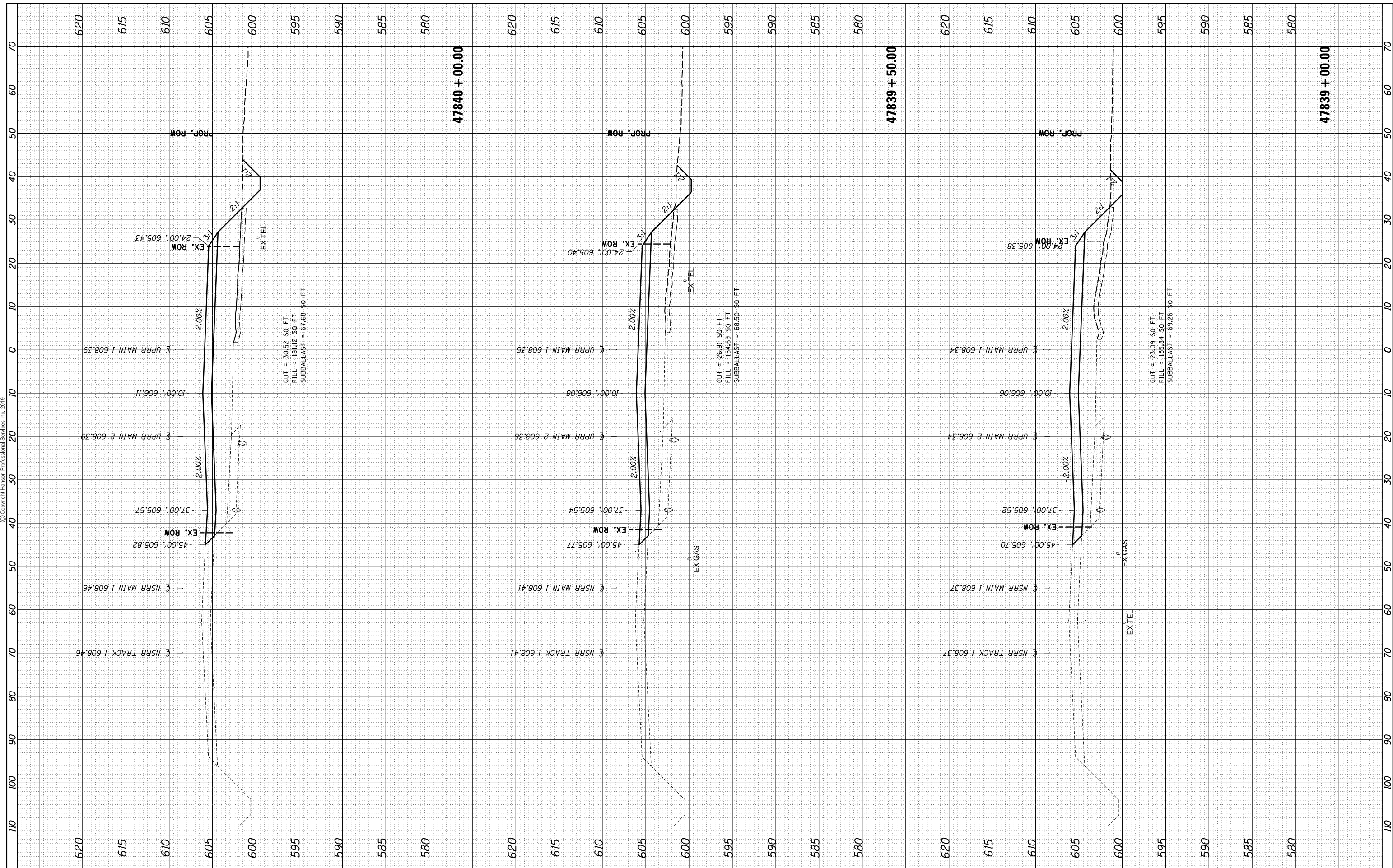
SCALE: SHEET 6 OF 26 SHEETS STA. 47838+00.00 TO STA. 47838+50.00 666 & 666 ALT. ILLINOIS FED. AID PROJECT

FINAL SURVEY NO.	SURVEYED	BY	DATE
NOTE BOOK	PLOTTED		
AREAS CHECKED	TEMPLATE		
	AREAS CHECKED		

ORIGINAL SURVEY NO.	SURVEYED	BY	DATE
NOTE BOOK	PLOTTED		
AREAS CHECKED	TEMPLATE		
	AREAS CHECKED		



© Copyright Hanson Professional Services Inc. 2019



FINAL FILE NAME = D609L0179b-SHT-XSSstage4_US4.dgn
XS.SHEET_temporary_model_name_7

USER NAME = Pop00275	DESIGNED - GCN	REVISED -
	DRAWN - CLG	REVISED -
	CHECKED - JWM/GCN	REVISED -
	DATE - 03/15/2019	REVISED -

STATE OF ILLINOIS
DEPARTMENT OF TRANSPORTATION

SPRINGFIELD RAIL IMPROVEMENTS PROJECT
SPRINGFIELD, SANGAMON COUNTY, ILLINOIS
CROSS SECTIONS - STAGE 4 TRACK

F.A.U. RTE.	SECTION	COUNTY	TOTAL SHEETS	SHEET NO.
	(109) VB,(110) VB-5	SANGAMON	382	363
	09L0179B		CONTRACT NO.	93733

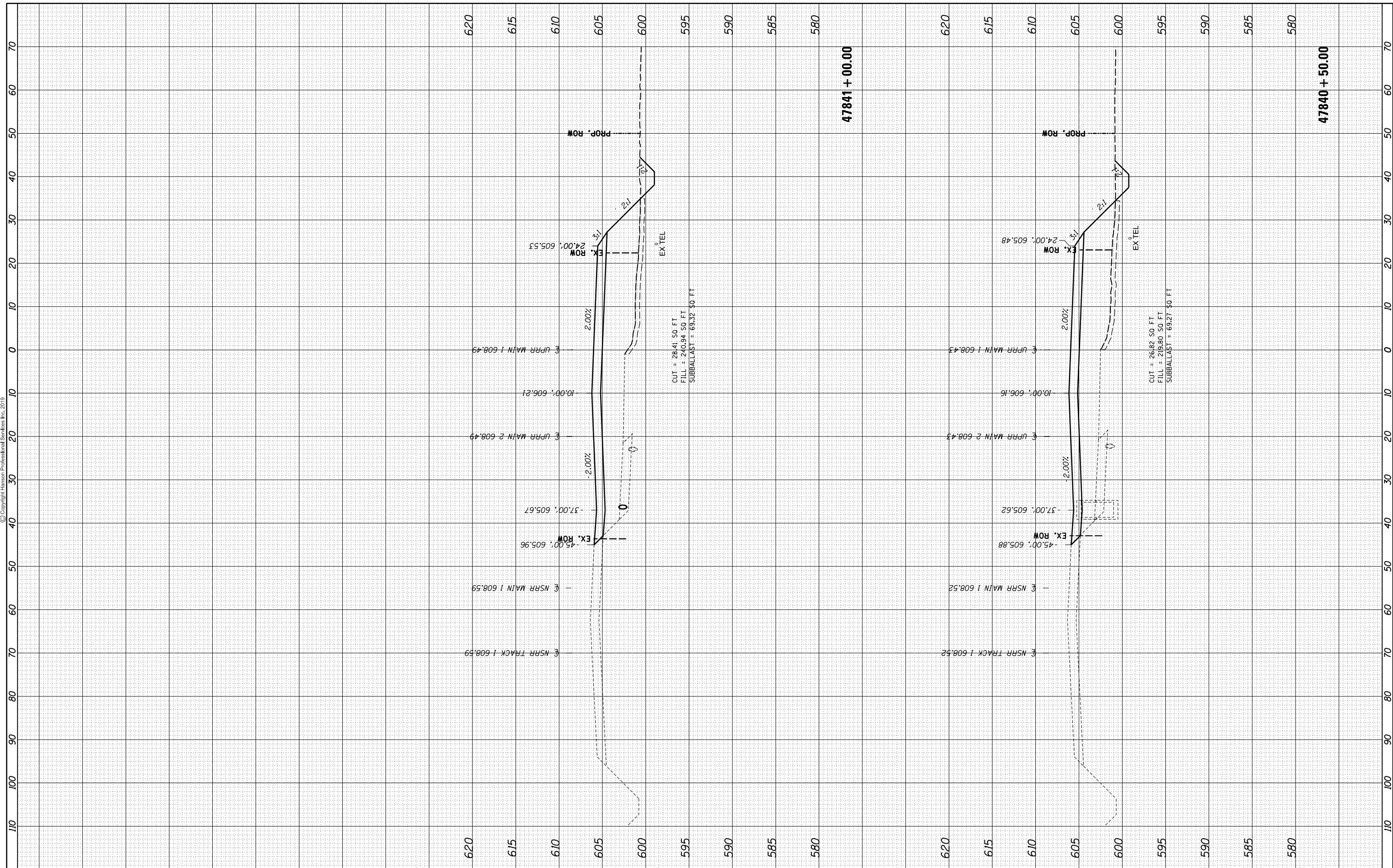
SCALE: SHEET 7 OF 26 SHEETS STA. 47839+00.00 TO STA. 47840+00.00 666 & 666 ALT. ILLINOIS FED. AID PROJECT

FINAL SURVEY NO.	SURVEYED	BY	DATE
NOTE BOOK	PLOTTED		
AREAS CHECKED	TEMPLATE		
	AREAS		
	CHECKED		



© Copyright Hanson Professional Services Inc. 2019

ORIGINAL SURVEY NO.	SURVEYED	BY	DATE
NOTE BOOK	PLOTTED		
AREAS CHECKED	TEMPLATE		
	AREAS		
	CHECKED		



FINAL
FILE NAME = D609L0179b-SHT-XSSstage4_US4.dgn
XS.SHEET_temporary_model_name_8

USER NAME = Pop00275	DESIGNED - GCN	REVISED -
PLOT SCALE = 20.0000' / in.	DRAWN - CLG	REVISED -
PLOT DATE = 4/11/2019	CHECKED - JWM/GCN	REVISED -
	DATE - 03/15/2019	REVISED -

STATE OF ILLINOIS
DEPARTMENT OF TRANSPORTATION

SPRINGFIELD RAIL IMPROVEMENTS PROJECT
SPRINGFIELD, SANGAMON COUNTY, ILLINOIS
CROSS SECTIONS - STAGE 4 TRACK

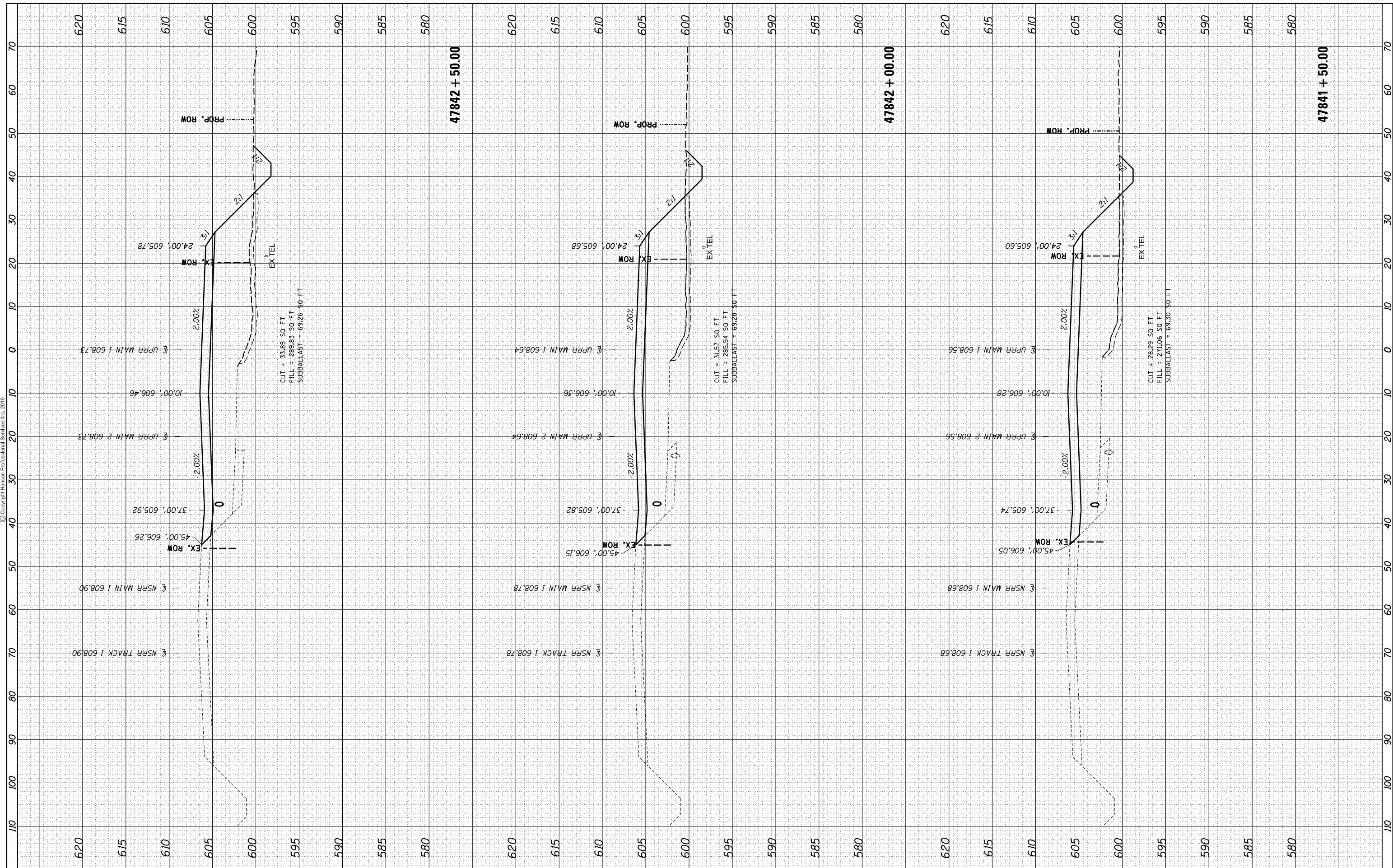
F.A.U. RTE.	SECTION	COUNTY	TOTAL SHEETS	SHEET NO.
•	(109) VB,(110) VB-5	SANGAMON	382	364
	09L0179B		CONTRACT NO.	93733
SCALE: SHEET 8 OF 26 SHEETS STA. 47840+50.00 TO STA. 47841+00.00 #666 & 666 ALT. ILLINOIS FED. AID PROJECT				

FINAL SURVEY NO.	SURVEYED	BY	DATE
NOTE BOOK	PLOTTED		
AREAS CHECKED	TEMPLATE		
	AREAS		
	CHECKED		



© Copyright Hanson Professional Services Inc. 2019

ORIGINAL SURVEY NO.	SURVEYED	BY	DATE
NOTE BOOK	PLOTTED		
AREAS CHECKED	TEMPLATE		
	AREAS		
	CHECKED		



FINAL FILE NAME = D609L0179b-SHT-XSS+stage4_US4.dgn
XS.SHEET_temporary_model_name_9

USER NAME = Pop00275	DESIGNED - GCN	REVISED -
PLOT SCALE = 20.0000' / in.	DRAWN - CLG	REVISED -
PLOT DATE = 4/11/2019	CHECKED - JWM/GCN	REVISED -
	DATE - 03/15/2019	REVISED -

**STATE OF ILLINOIS
DEPARTMENT OF TRANSPORTATION**

**SPRINGFIELD RAIL IMPROVEMENTS PROJECT
SPRINGFIELD, SANGAMON COUNTY, ILLINOIS
CROSS SECTIONS - STAGE 4 TRACK**

F.A.U. RTE.	SECTION	COUNTY	TOTAL SHEETS	SHEET NO.
•	(109) VB,(110) VB-5	SANGAMON	382	365
	09L0179B		CONTRACT NO.	93733

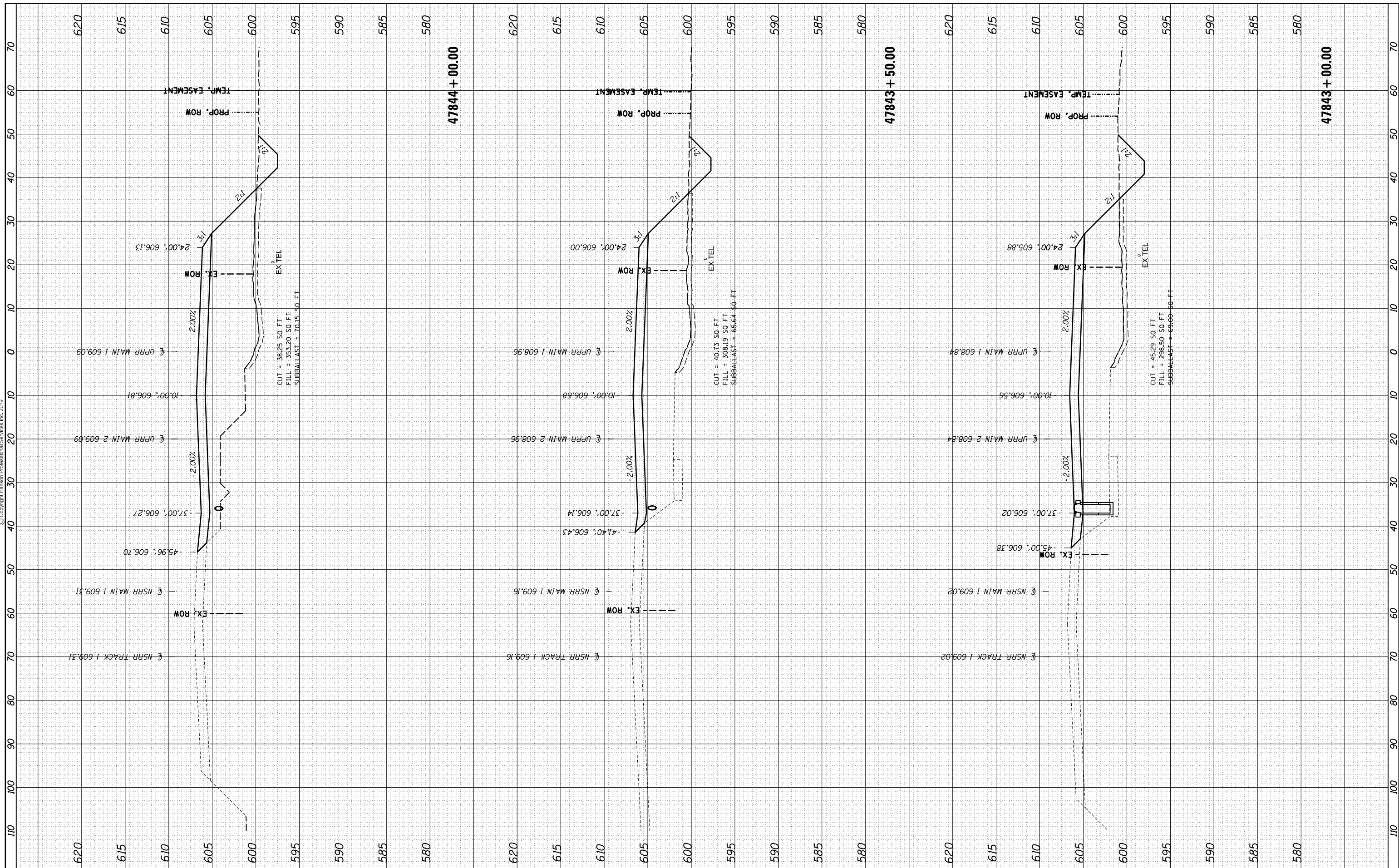
SCALE: SHEET 9 OF 26 SHEETS STA. 47841+50.00 TO STA. 47842+50.00 #666 & 666 ALT. ILLINOIS FED. AID PROJECT

FINAL SURVEY	SURVEYED	BY	DATE
NOTE BOOK	PLOTTED		
AREAS CHECKED	TEMPLATE		
NO.	AREAS CHECKED		



© Copyright Hanson Professional Services Inc. 2019

ORIGINAL SURVEY	SURVEYED	BY	DATE
NOTE BOOK	PLOTTED		
AREAS CHECKED	TEMPLATE		
NO.	AREAS CHECKED		



47844 + 00.00

47843 + 50.00

47843 + 00.00

FINAL FILE NAME = D609L0179b-SHT-XSSstage4_US4.dgn
XS.SHEET_temporary_model_name.10

USER NAME = Pop00275	DESIGNED - GCN	REVISED -
PLOT SCALE = 20.0000' / in.	DRAWN - CLG	REVISED -
PLOT DATE = 4/11/2019	CHECKED - JWM/GCN	REVISED -
	DATE - 03/15/2019	REVISED -

**STATE OF ILLINOIS
DEPARTMENT OF TRANSPORTATION**

**SPRINGFIELD RAIL IMPROVEMENTS PROJECT
SPRINGFIELD, SANGAMON COUNTY, ILLINOIS
CROSS SECTIONS - STAGE 4 TRACK**

F.A.U. RTE.	SECTION	COUNTY	TOTAL SHEETS	SHEET NO.
•	(109) VB,(110) VB-5	SANGAMON	382	366
	09L0179B		CONTRACT NO.	93733

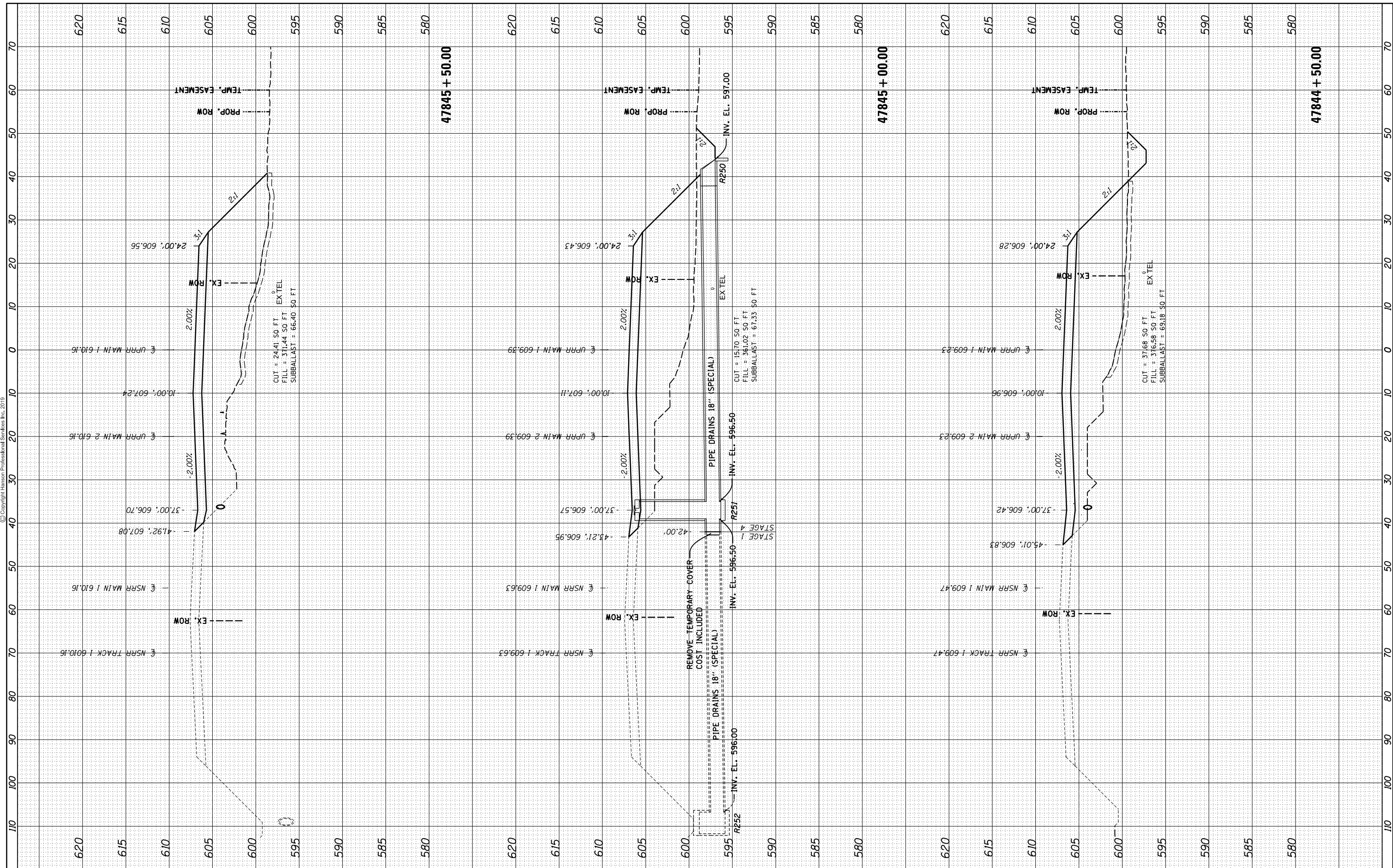
SCALE: SHEET 10 OF 26 SHEETS STA. 47843+00.00 TO STA. 47844+00.00 666 & 666 ALT. ILLINOIS FED. AID PROJECT

FINAL SURVEY NO.	SURVEYED	BY	DATE
NOTE BOOK	PLOTTED		
AREAS CHECKED	TEMPLATE		
	AREAS		
	CHECKED		

ORIGINAL SURVEY NO.	SURVEYED	BY	DATE
NOTE BOOK	PLOTTED		
AREAS CHECKED	TEMPLATE		
	AREAS		
	CHECKED		



© Copyright Hanson Professional Services Inc. 2019



FILE NAME = D609L0179b-SHT-XSSstage4_US4.dgn
 USER NAME = Pop00275
 PLOT SCALE = 20.0000' / in.
 PLOT DATE = 4/11/2019

DESIGNED - GCN	REVISED -
DRAWN - CLG	REVISED -
CHECKED - JWM/GCN	REVISED -
DATE - 03/15/2019	REVISED -

STATE OF ILLINOIS
DEPARTMENT OF TRANSPORTATION

SPRINGFIELD RAIL IMPROVEMENTS PROJECT
SPRINGFIELD, SANGAMON COUNTY, ILLINOIS
CROSS SECTIONS - STAGE 4 TRACK

F.A.U. RTE.	SECTION	COUNTY	TOTAL SHEETS	SHEET NO.
	(109) VB,(110) VB-5	SANGAMON	382	367
	09L0179B			CONTRACT NO. 93733

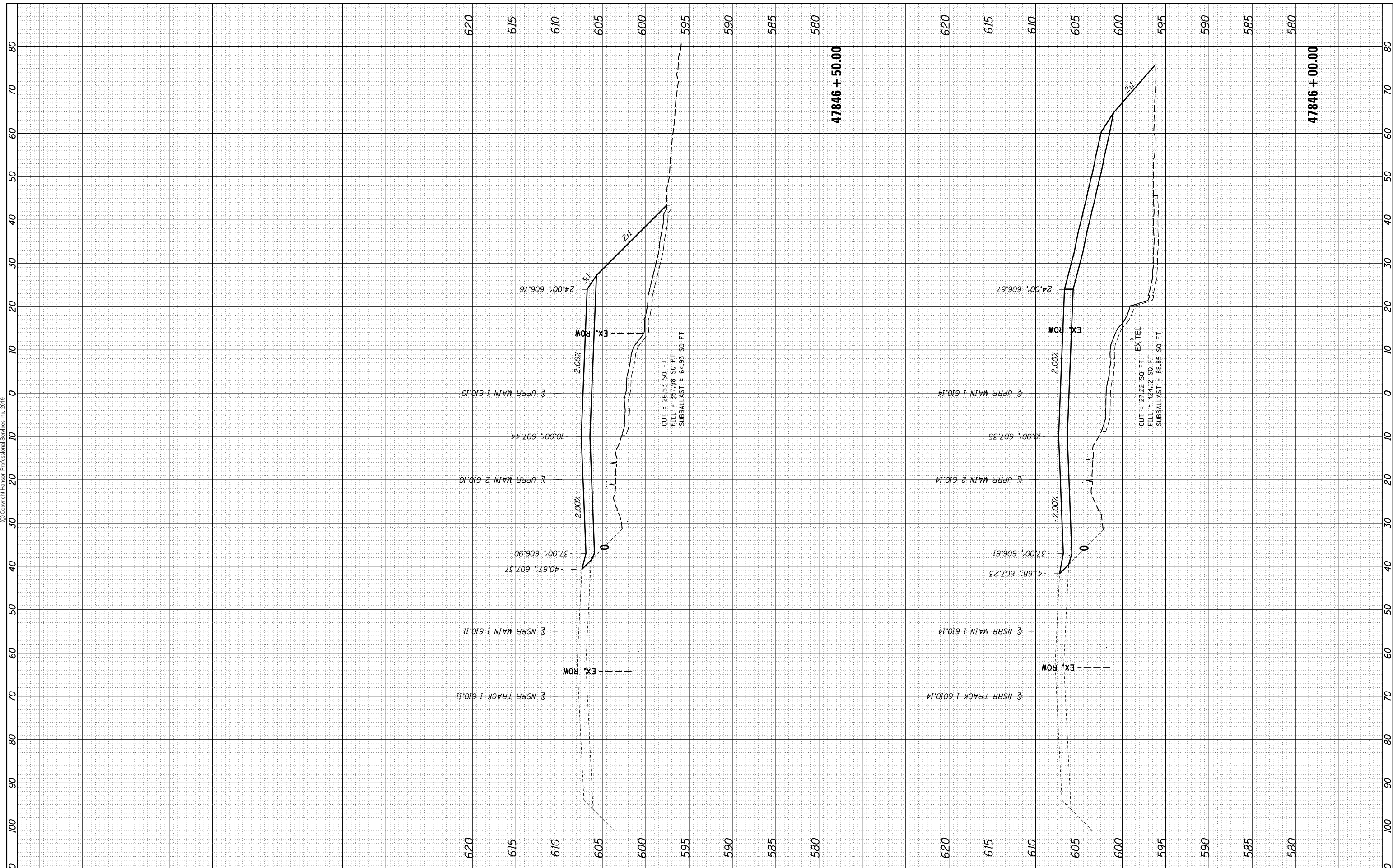
SCALE: SHEET 11 OF 26 SHEETS STA. 47844+50.00 TO STA. 47845+50.00 666 & 666 ALT. ILLINOIS FED. AID PROJECT

FINAL SURVEY NO.	SURVEYED	BY	DATE
NOTE BOOK	PLOTTED		
AREAS CHECKED	TEMPLATE		
	AREAS		

ORIGINAL SURVEY NO.	SURVEYED	BY	DATE
NOTE BOOK	PLOTTED		
AREAS CHECKED	TEMPLATE		
	AREAS		



© Copyright Hanson Professional Services Inc. 2019



FILE NAME = D609L0179b-SHT-XSSstage4_US4.dgn
 XS.SHEET_temporary_model_name.12

USER NAME = Pop00275	DESIGNED - GCN	REVISED -
PLOT SCALE = 20.0000' / in.	DRAWN - CLG	REVISED -
PLOT DATE = 4/11/2019	CHECKED - JWM/GCN	REVISED -
	DATE - 03/15/2019	REVISED -

**STATE OF ILLINOIS
DEPARTMENT OF TRANSPORTATION**

**SPRINGFIELD RAIL IMPROVEMENTS PROJECT
SPRINGFIELD, SANGAMON COUNTY, ILLINOIS
CROSS SECTIONS - STAGE 4 TRACK**

SCALE: SHEET 12 OF 26 SHEETS STA. 47846+00.00 TO STA. 47846+50.00

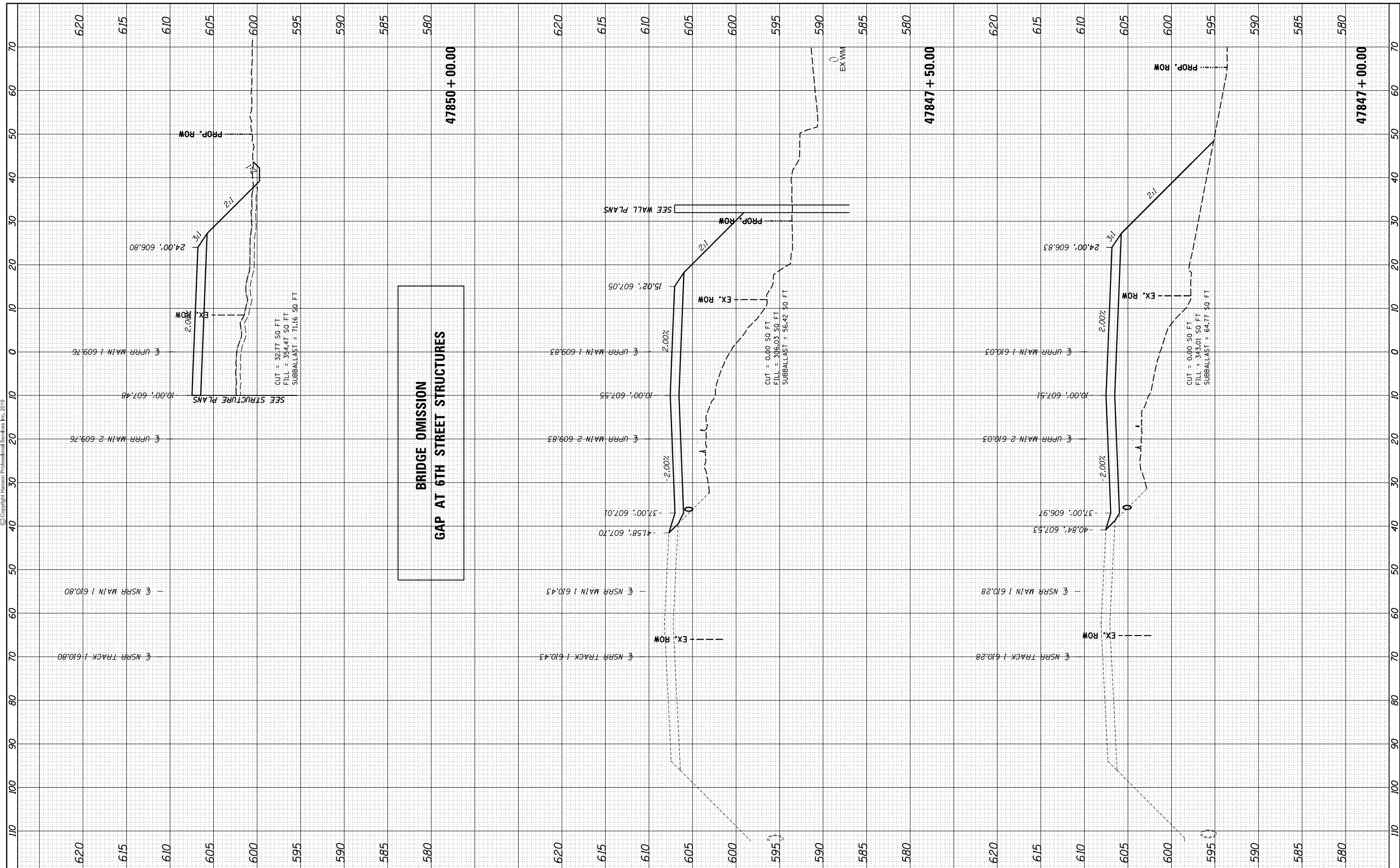
F.A.U. RTE.	SECTION	COUNTY	TOTAL SHEETS	SHEET NO.
•	(109) VB,(110) VB-5	SANGAMON	382	368
	09L0179B	CONTRACT NO.	93733	
		ILLINOIS FED. AID PROJECT		

FINAL SURVEY NO.	SURVEYED PLOTTED TEMPLATE AREAS CHECKED	BY	DATE



© Copyright Hanson Professional Services Inc. 2019

ORIGINAL SURVEY NO.	SURVEYED PLOTTED TEMPLATE AREAS CHECKED	BY	DATE



FINAL

FILE NAME = D609L0179b-SHT-XSSstage4_US4.dgn
 XS.SHEET_temporary_model_name.13

USER NAME = Pop00275	DESIGNED - GCN	REVISED -
	DRAWN - CLG	REVISED -
	CHECKED - JWM/GCN	REVISED -
	DATE - 03/15/2019	REVISED -

STATE OF ILLINOIS
 DEPARTMENT OF TRANSPORTATION

SPRINGFIELD RAIL IMPROVEMENTS PROJECT
 SPRINGFIELD, SANGAMON COUNTY, ILLINOIS
 CROSS SECTIONS - STAGE 4 TRACK

F.A.U. RTE.	SECTION	COUNTY	TOTAL SHEETS	SHEET NO.
	(109) VB,(110) VB-5	SANGAMON	382	369
	09L0179B		CONTRACT NO.	93733

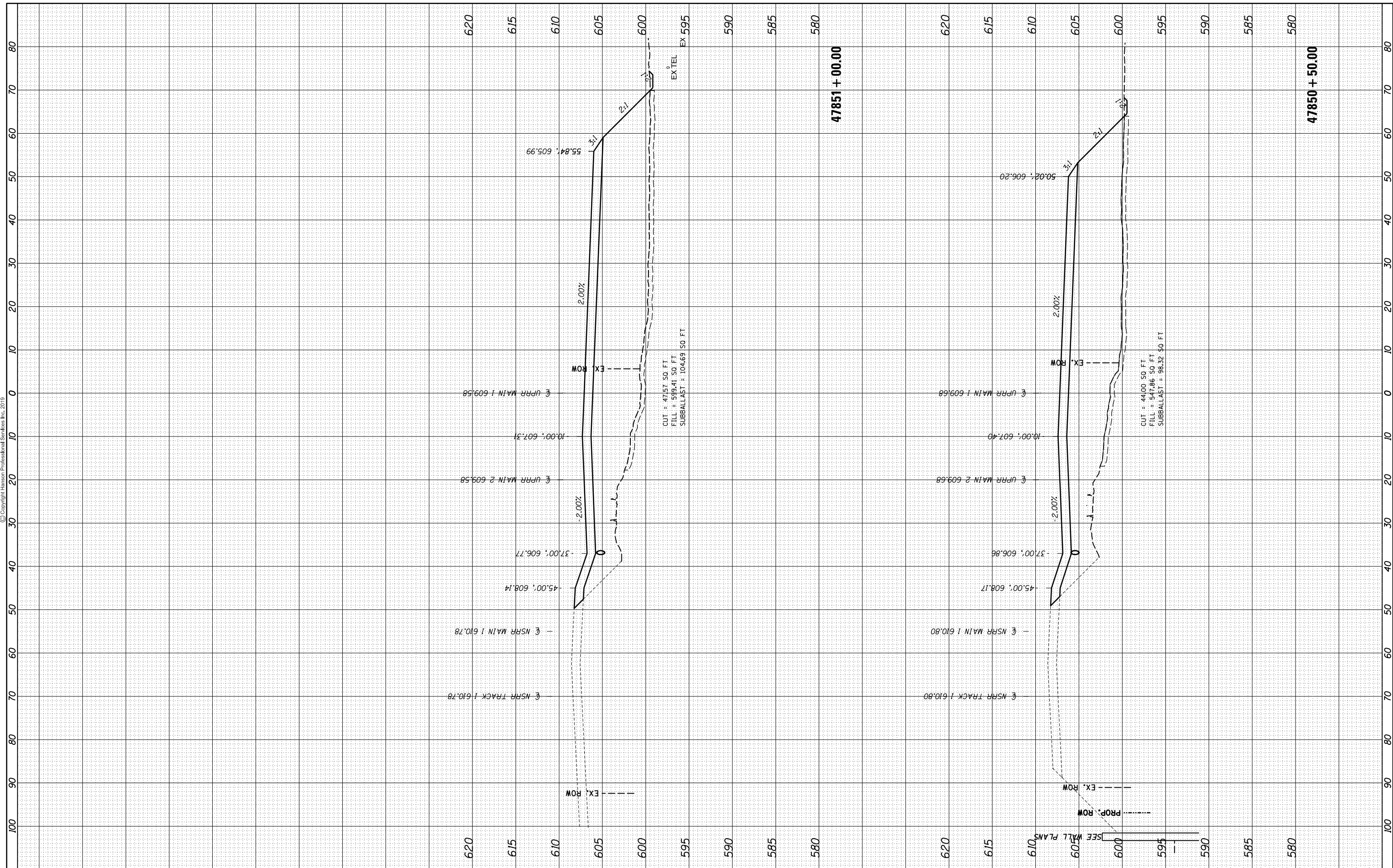
SCALE: SHEET 13 OF 26 SHEETS STA. 47847+00.00 TO STA. 47850+00.00 ±666 & 666 ALT. ILLINOIS FED. AID PROJECT

FINAL SURVEY NO.	SURVEYED	BY	DATE
NOTE BOOK	PLOTTED		
AREAS CHECKED	TEMPLATE		
	AREAS		
	CHECKED		

ORIGINAL SURVEY NO.	SURVEYED	BY	DATE
NOTE BOOK	PLOTTED		
AREAS CHECKED	TEMPLATE		
	AREAS		
	CHECKED		



© Copyright Hanson Professional Services Inc. 2019



FILE NAME = D609L0179b-SHT-XSSstage4_US4.dgn
 XS.SHEET_temporary_model_name.15

USER NAME = Pop00275
 DESIGNED - GCN
 DRAWN - CLG
 CHECKED - JWM/GCN
 DATE - 03/15/2019

REVISED -
 REVISED -
 REVISED -
 REVISED -

**STATE OF ILLINOIS
 DEPARTMENT OF TRANSPORTATION**

**SPRINGFIELD RAIL IMPROVEMENTS PROJECT
 SPRINGFIELD, SANGAMON COUNTY, ILLINOIS
 CROSS SECTIONS - STAGE 4 TRACK**

SCALE: SHEET 14 OF 26 SHEETS STA. 47850+50.00 TO STA. 47851+00.00

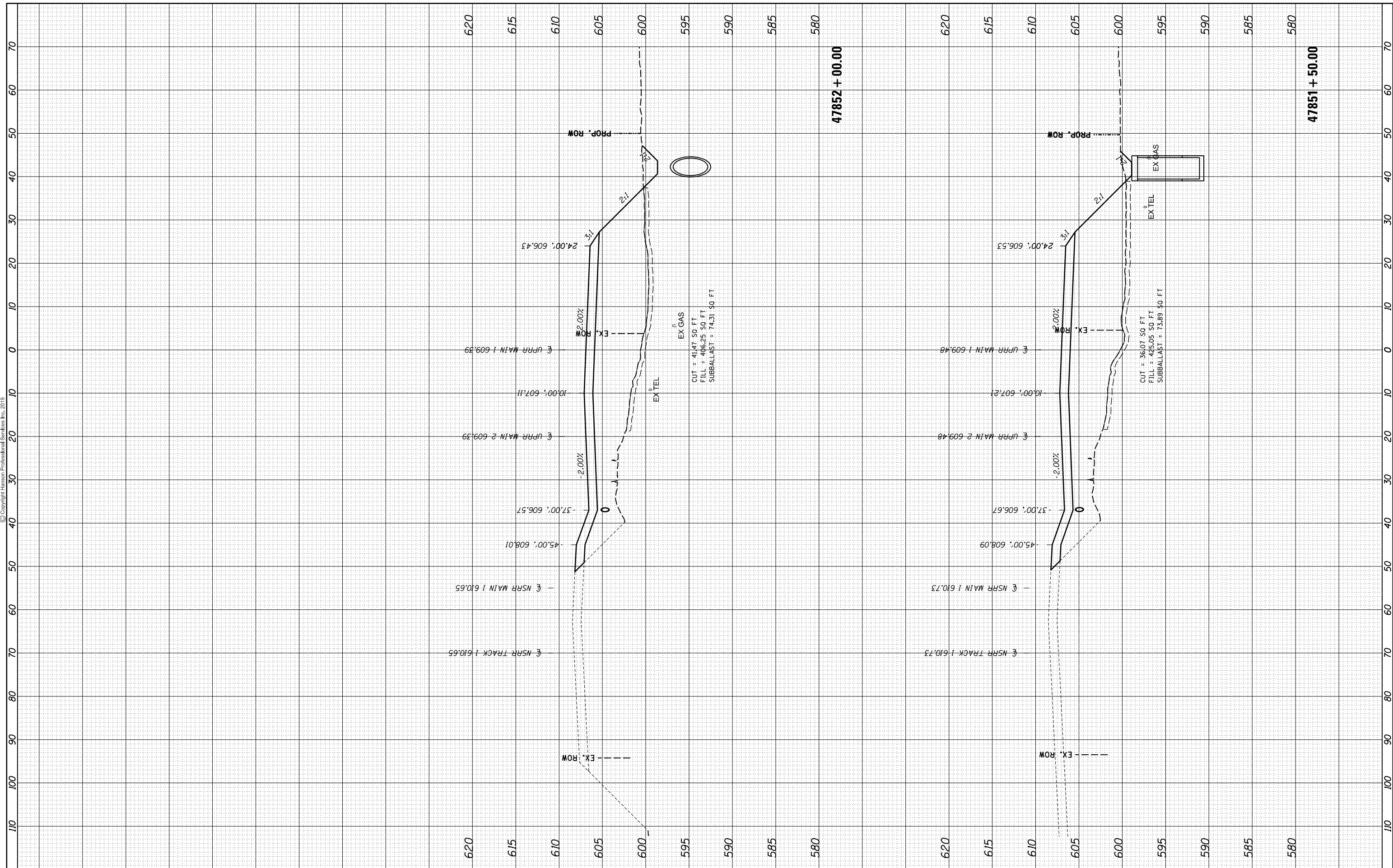
F.A.U. RTE.	SECTION	COUNTY	TOTAL SHEETS	SHEET NO.
•	(109) VB,(110) VB-5	SANGAMON	382	370
	09L0179B	CONTRACT NO.	93733	
666 & 666 ALT. ILLINOIS FED. AID PROJECT				

FINAL SURVEY NO.	SURVEYED	BY	DATE
	PLOTTED		
	TEMPLATE		
	AREAS CHECKED		

ORIGINAL SURVEY NO.	SURVEYED	BY	DATE
	PLOTTED		
	TEMPLATE		
	AREAS CHECKED		



© Copyright Hanson Professional Services Inc. 2019



FINAL XS.SHEET_temporary_model_name_16

FILE NAME =	USER NAME = Pop00275
D609L0179b-SHT-XSSstage4_US4.dgn	DESIGNED - GCN
	DRAWN - CLG
	CHECKED - JWM/GCN
	DATE - 03/15/2019
	REVISIONS
	REVISIONS
	REVISIONS
	REVISIONS

**STATE OF ILLINOIS
DEPARTMENT OF TRANSPORTATION**

**SPRINGFIELD RAIL IMPROVEMENTS PROJECT
SPRINGFIELD, SANGAMON COUNTY, ILLINOIS
CROSS SECTIONS - STAGE 4 TRACK**

F.A.U. RTE.	SECTION	COUNTY	TOTAL SHEETS	SHEET NO.
	(109) VB,(110) VB-5	SANGAMON	382	371
	09L0179B		CONTRACT NO.	93733

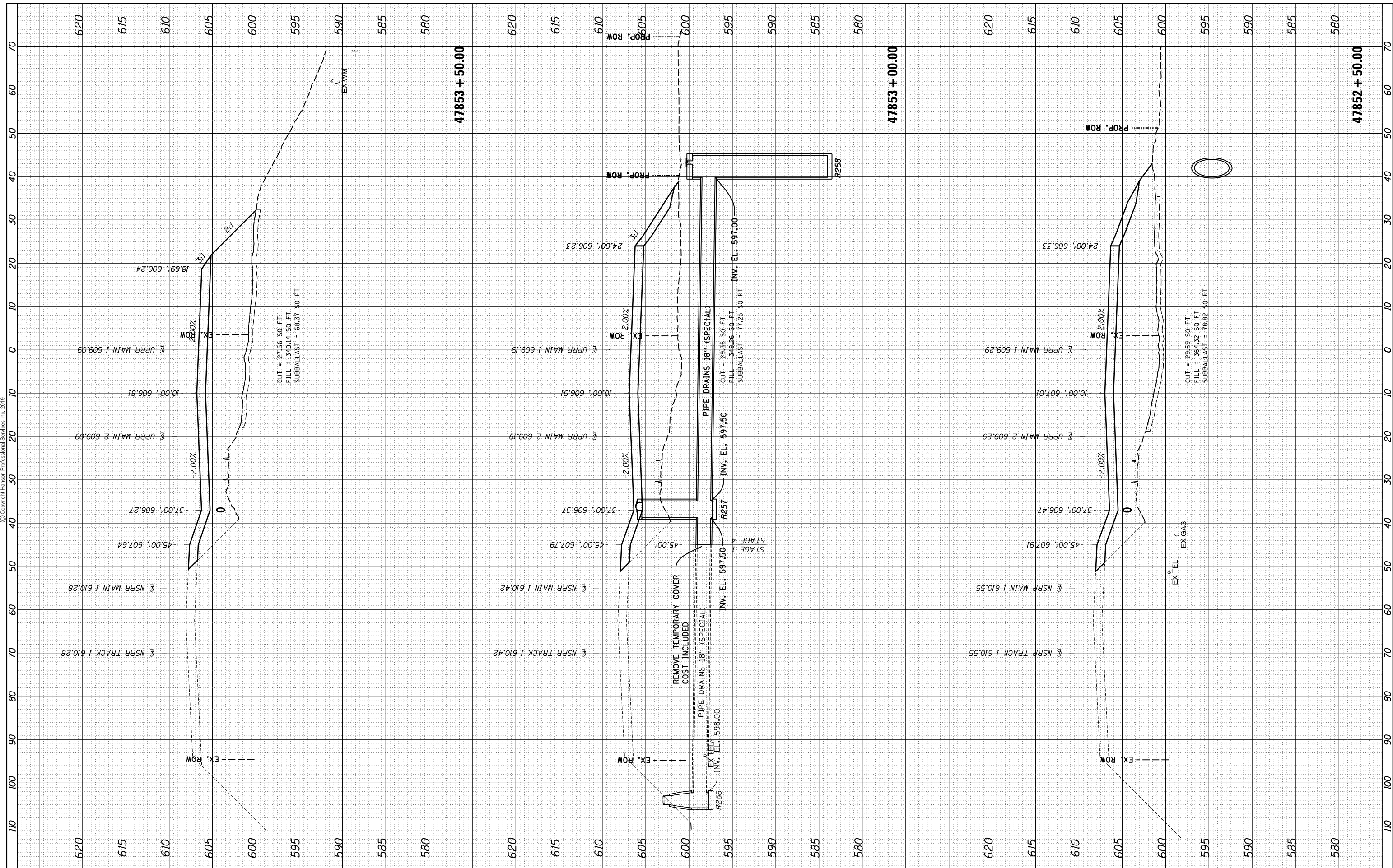
SCALE: SHEET 15 OF 26 SHEETS STA. 47851+50.00 TO STA. 47852+00.00 ±666 & 666 ALT. ILLINOIS FED. AID PROJECT

FINAL SURVEY	SURVEYED	BY	DATE
NOTE BOOK	PLOTTED		
AREAS CHECKED	TEMPLATE		
	AREAS		
	CHECKED		



© Copyright Hanson Professional Services Inc. 2019

ORIGINAL SURVEY	SURVEYED	BY	DATE
NOTE BOOK	PLOTTED		
AREAS CHECKED	TEMPLATE		
	AREAS		
	CHECKED		



FINAL
 FILE NAME = D609L0179b-SHT-XSSstage4_US4.dgn
 XS.SHEET_temporary_model_name.17

USER NAME = Pop00275	DESIGNED - GCN	REVISED -
PLOT SCALE = 20.0000' / in.	DRAWN - CLG	REVISED -
PLOT DATE = 4/11/2019	CHECKED - JWM/GCN	REVISED -
	DATE - 03/15/2019	REVISED -

STATE OF ILLINOIS
 DEPARTMENT OF TRANSPORTATION

SPRINGFIELD RAIL IMPROVEMENTS PROJECT
 SPRINGFIELD, SANGAMON COUNTY, ILLINOIS
 CROSS SECTIONS - STAGE 4 TRACK

F.A.U. RTE.	SECTION	COUNTY	TOTAL SHEETS	SHEET NO.
•	(109) VB,(110) VB-5	SANGAMON	382	372
	09L0179B		CONTRACT NO.	93733

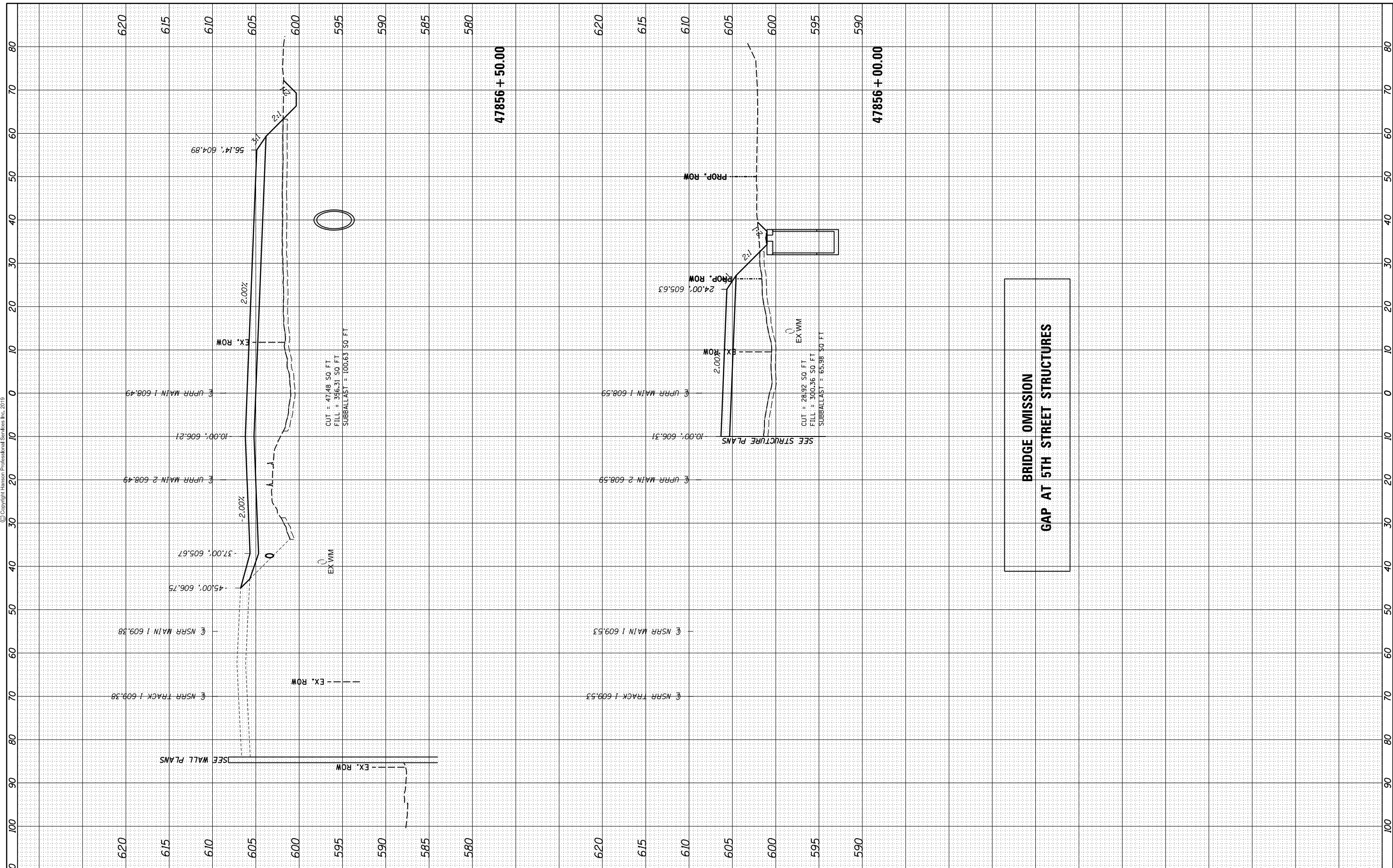
SCALE: SHEET 16 OF 26 SHEETS STA. 47852+50.00 TO STA. 47853+50.00 666 & 666 ALT. ILLINOIS FED. AID PROJECT

FINAL SURVEY NO.	SURVEYED PLOTTED AREAS CHECKED	BY	DATE



© Copyright Hanson Professional Services Inc. 2019

ORIGINAL SURVEY NO.	SURVEYED PLOTTED AREAS CHECKED	BY	DATE



FILE NAME = D609L0179b-SHT-XSSstage4_US4.dgn
 XS.SHEET_temporary_model_name.19

USER NAME = Pop00275	DESIGNED - GCN	REVISED -
PLOT SCALE = 20.0000' / in.	DRAWN - CLG	REVISED -
PLOT DATE = 4/11/2019	CHECKED - JWM/GCN	REVISED -
	DATE - 03/15/2019	REVISED -

**STATE OF ILLINOIS
DEPARTMENT OF TRANSPORTATION**

**SPRINGFIELD RAIL IMPROVEMENTS PROJECT
SPRINGFIELD, SANGAMON COUNTY, ILLINOIS
CROSS SECTIONS - STAGE 4 TRACK**

F.A.U. RTE.	SECTION	COUNTY	TOTAL SHEETS	SHEET NO.
•	(109) VB,(110) VB-5	SANGAMON	382	373
	09L0179B	CONTRACT NO.	93733	

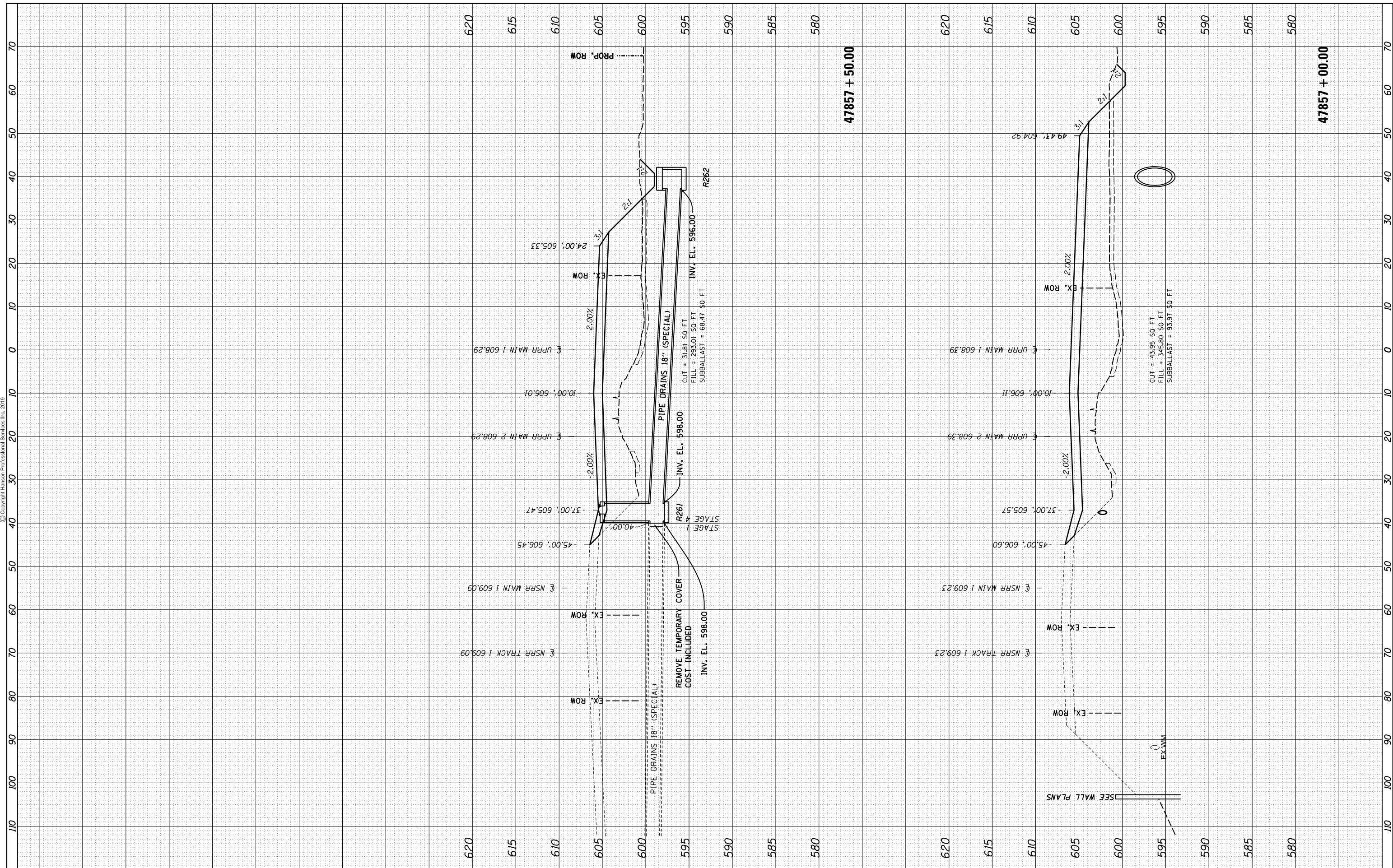
SCALE: SHEET 17 OF 26 SHEETS STA. 47856+00.00 TO STA. 47856+50.00 666 & 666 ALT. ILLINOIS FED. AID PROJECT

FINAL SURVEY NO.	SURVEYED PLOTTED TEMPLATE AREAS CHECKED	BY	DATE



© Copyright Hanson Professional Services Inc. 2019

ORIGINAL SURVEY NO.	SURVEYED PLOTTED TEMPLATE AREAS CHECKED	BY	DATE



FILE NAME =	USER NAME = Pop00275
D609L0179b-SHT-XSSstage4_US4.dgn	DESIGNED - GCN
	DRAWN - CLG
	CHECKED - JWM/GCN
	DATE - 03/15/2019

DESIGNED - GCN	REVISED -
DRAWN - CLG	REVISED -
CHECKED - JWM/GCN	REVISED -
DATE - 03/15/2019	REVISED -

**STATE OF ILLINOIS
DEPARTMENT OF TRANSPORTATION**

**SPRINGFIELD RAIL IMPROVEMENTS PROJECT
SPRINGFIELD, SANGAMON COUNTY, ILLINOIS
CROSS SECTIONS - STAGE 4 TRACK**

F.A.U. RTE.	SECTION	COUNTY	TOTAL SHEETS	SHEET NO.
	(109) VB,(110) VB-5	SANGAMON	382	374
	09L0179B	CONTRACT NO.	93733	

SCALE: SHEET 18 OF 26 SHEETS STA. 47857+00.00 TO STA. 47857+50.00

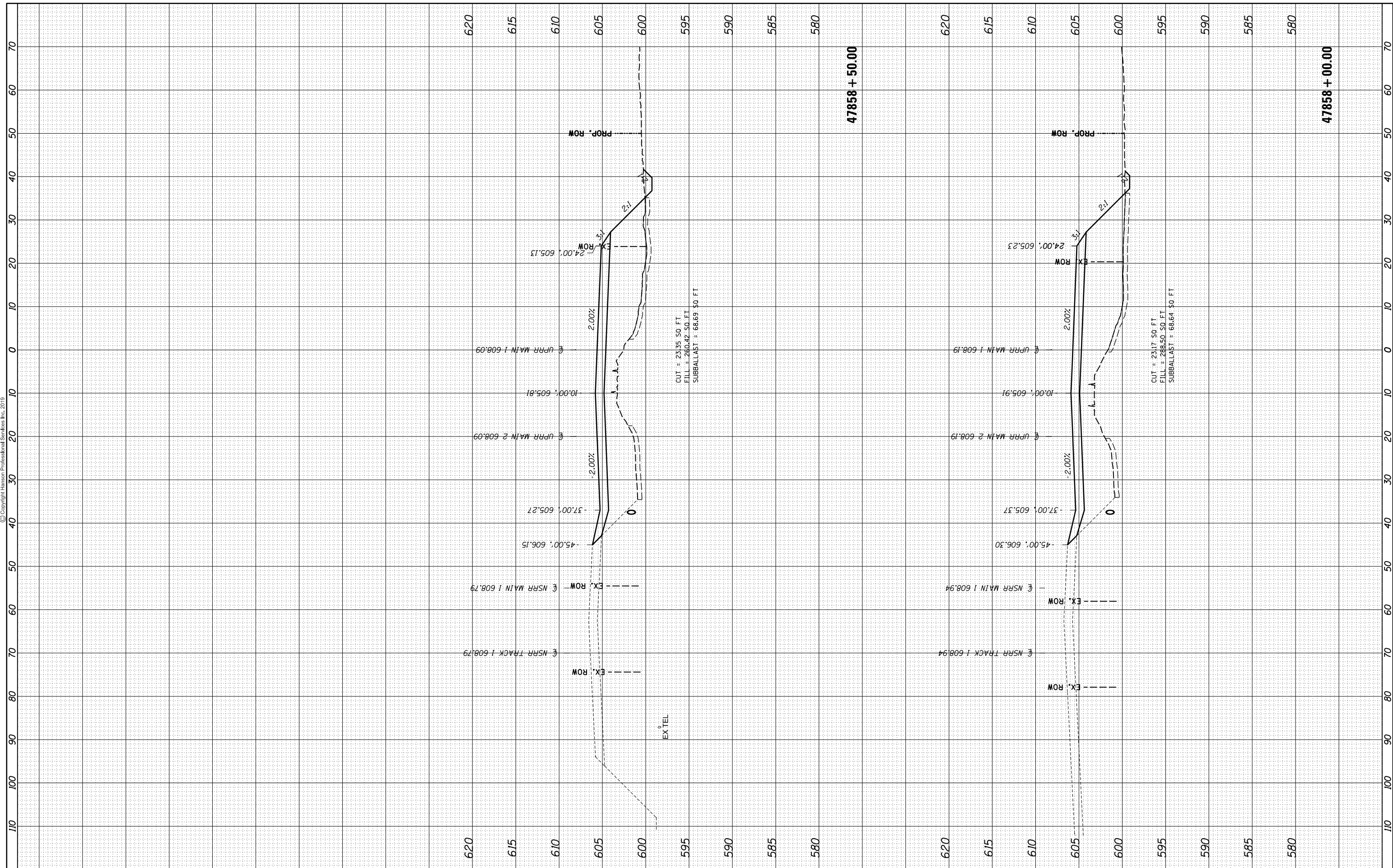
666 & 666 ALT. ILLINOIS FED. AID PROJECT

FINAL SURVEY NO.	SURVEYED	BY	DATE
	PLOTTED		
	TEMPLATE		
	AREAS CHECKED		

ORIGINAL SURVEY NO.	SURVEYED	BY	DATE
	PLOTTED		
	TEMPLATE		
	AREAS CHECKED		



© Copyright Hanson Professional Services Inc. 2019



FINAL
FILE NAME = D609L0179b-SHT-XSSstage4_US4.dgn
XS.SHEET_temporary_model_name_z1

USER NAME = Pop00275
DESIGNED - GCN
DRAWN - CLG
CHECKED - JWM/GCN
DATE - 03/15/2019

REVISED -
REVISED -
REVISED -
REVISED -

**STATE OF ILLINOIS
DEPARTMENT OF TRANSPORTATION**

**SPRINGFIELD RAIL IMPROVEMENTS PROJECT
SPRINGFIELD, SANGAMON COUNTY, ILLINOIS
CROSS SECTIONS - STAGE 4 TRACK**

F.A.U. RTE.	SECTION	COUNTY	TOTAL SHEETS	SHEET NO.
•	(109) VB,(110) VB-5	SANGAMON	382	375
	09L0179B		CONTRACT NO.	93733

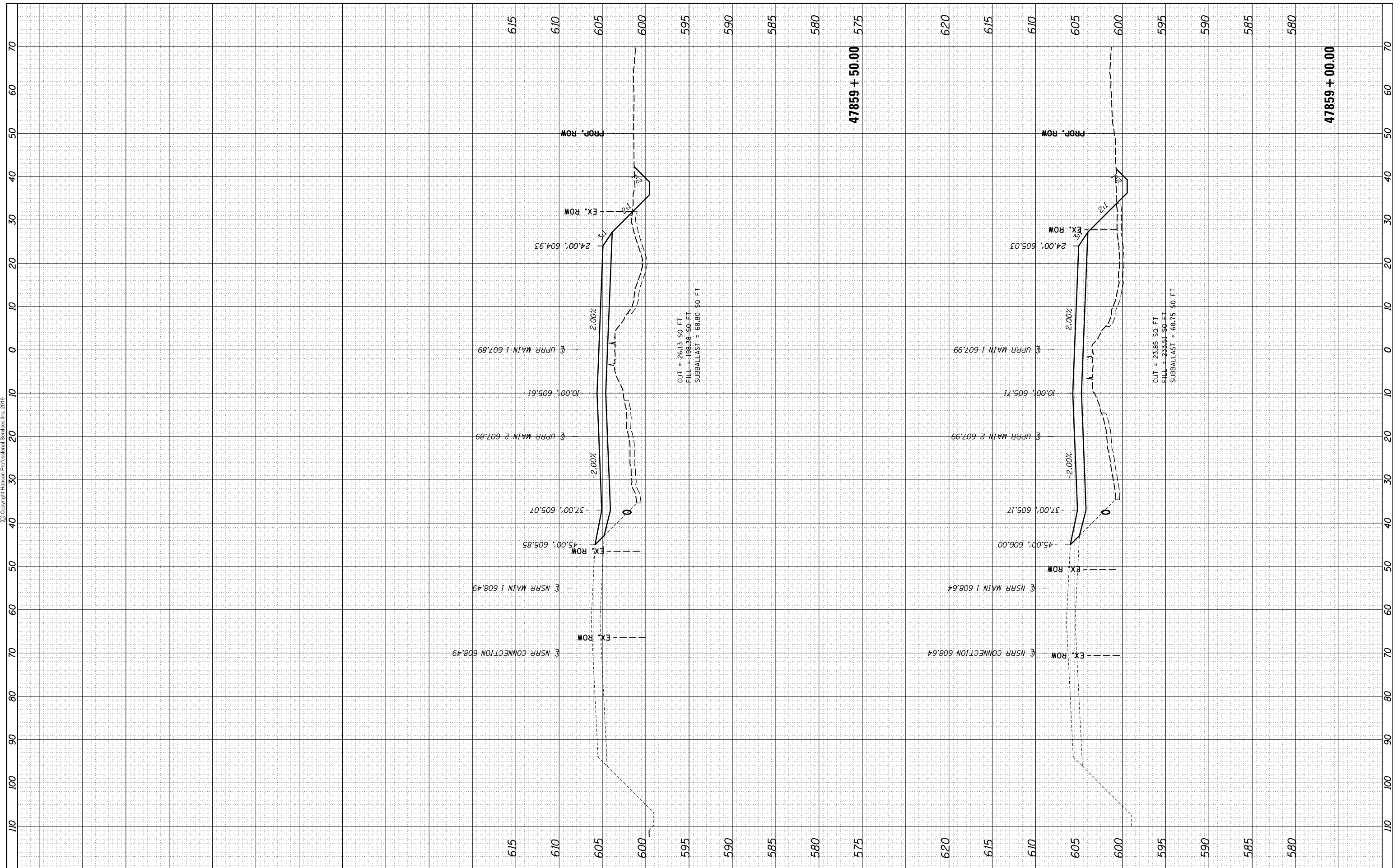
SCALE: SHEET 19 OF 26 SHEETS STA. 47858+00.00 TO STA. 47858+50.00 666 & 666 ALT. ILLINOIS FED. AID PROJECT

FINAL SURVEY NO.	SURVEYED	BY	DATE
NOTE BOOK	PLOTTED		
AREAS CHECKED	TEMPLATE		
	AREAS CHECKED		

ORIGINAL SURVEY NO.	SURVEYED	BY	DATE
NOTE BOOK	PLOTTED		
AREAS CHECKED	TEMPLATE		
	AREAS CHECKED		



© Copyright Hanson Professional Services Inc. 2019



FINAL XS.SHEET_temporary_model_name_22

FILE NAME =	USER NAME = Pop00275
D609L0179b-SHT-XSSstage4_US4.dgn	DESIGNED - GCN
	DRAWN - CLG
	CHECKED - JWM/GCN
	DATE - 03/15/2019
	REVISOR -
	REVISION -
	REVISION -
	REVISION -
	REVISION -

**STATE OF ILLINOIS
DEPARTMENT OF TRANSPORTATION**

**SPRINGFIELD RAIL IMPROVEMENTS PROJECT
SPRINGFIELD, SANGAMON COUNTY, ILLINOIS
CROSS SECTIONS - STAGE 4 TRACK**

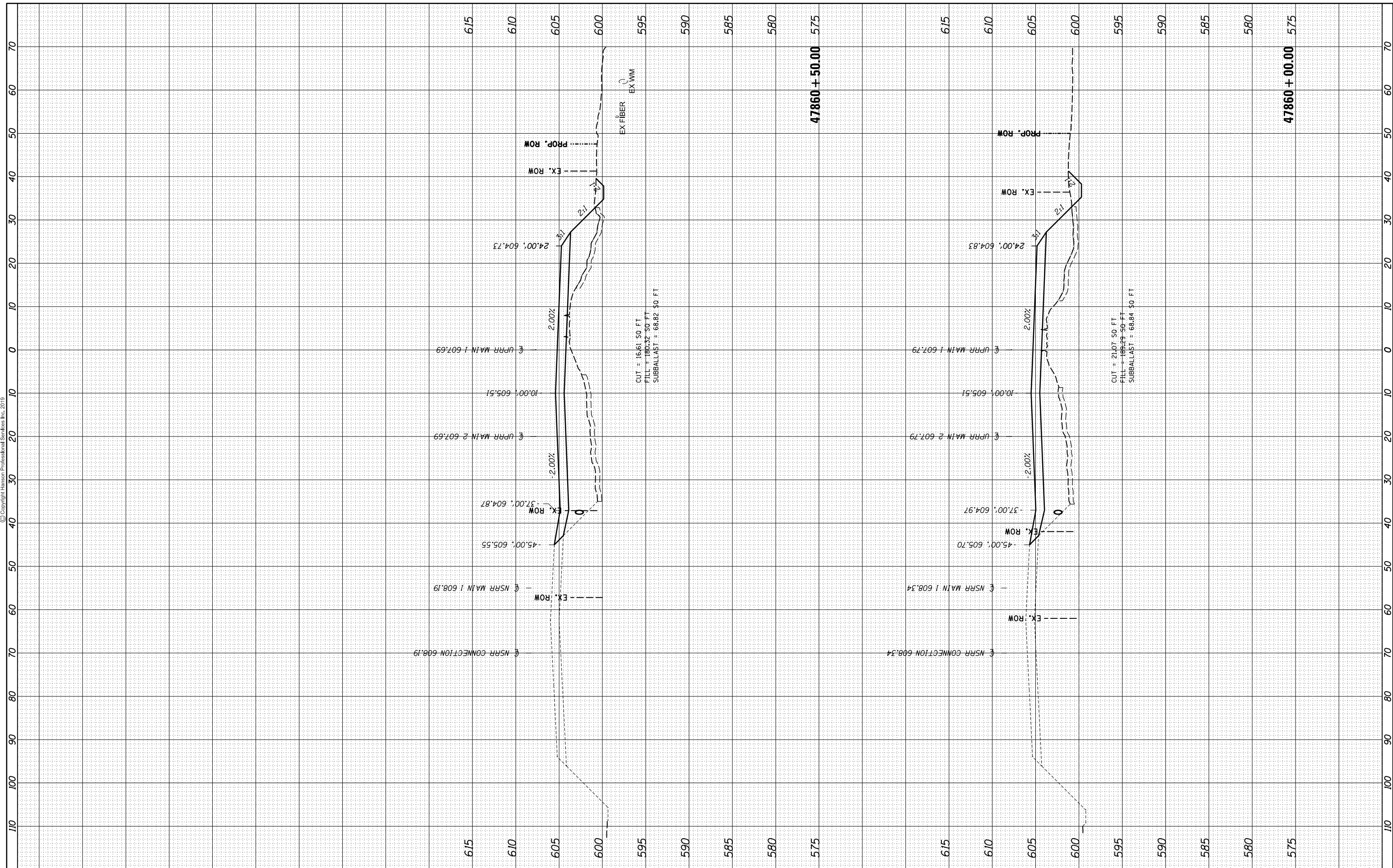
F.A.U. RTE.	SECTION	COUNTY	TOTAL SHEETS	SHEET NO.
•	(109) VB,(110) VB-5	SANGAMON	382	376
	09L0179B	CONTRACT NO.	93733	
SCALE: SHEET 20 OF 26 SHEETS STA. 47859+00.00 TO STA. 47859+50.00 666 & 666 ALT. ILLINOIS FED. AID PROJECT				

FINAL SURVEY NO.	SURVEYED	BY	DATE
NOTE BOOK	PLOTTED		
AREAS CHECKED	TEMPLATE		
	AREAS		
	CHECKED		

ORIGINAL SURVEY NO.	SURVEYED	BY	DATE
NOTE BOOK	PLOTTED		
AREAS CHECKED	TEMPLATE		
	AREAS		
	CHECKED		



© Copyright Hanson Professional Services Inc. 2019



FINAL
FILE NAME = D609L0179b-SHT-XSSstage4_US4.dgn
XS.SHEET_temporary_model_name_23

USER NAME = Pop00275
DESIGNED - GCN
DRAWN - CLG
CHECKED - JWM/GCN
DATE - 03/15/2019

REVISED -
REVISED -
REVISED -
REVISED -

**STATE OF ILLINOIS
DEPARTMENT OF TRANSPORTATION**

**SPRINGFIELD RAIL IMPROVEMENTS PROJECT
SPRINGFIELD, SANGAMON COUNTY, ILLINOIS
CROSS SECTIONS - STAGE 4 TRACK**

SCALE: SHEET 21 OF 26 SHEETS STA. 47860+00.00 TO STA. 47860+50.00

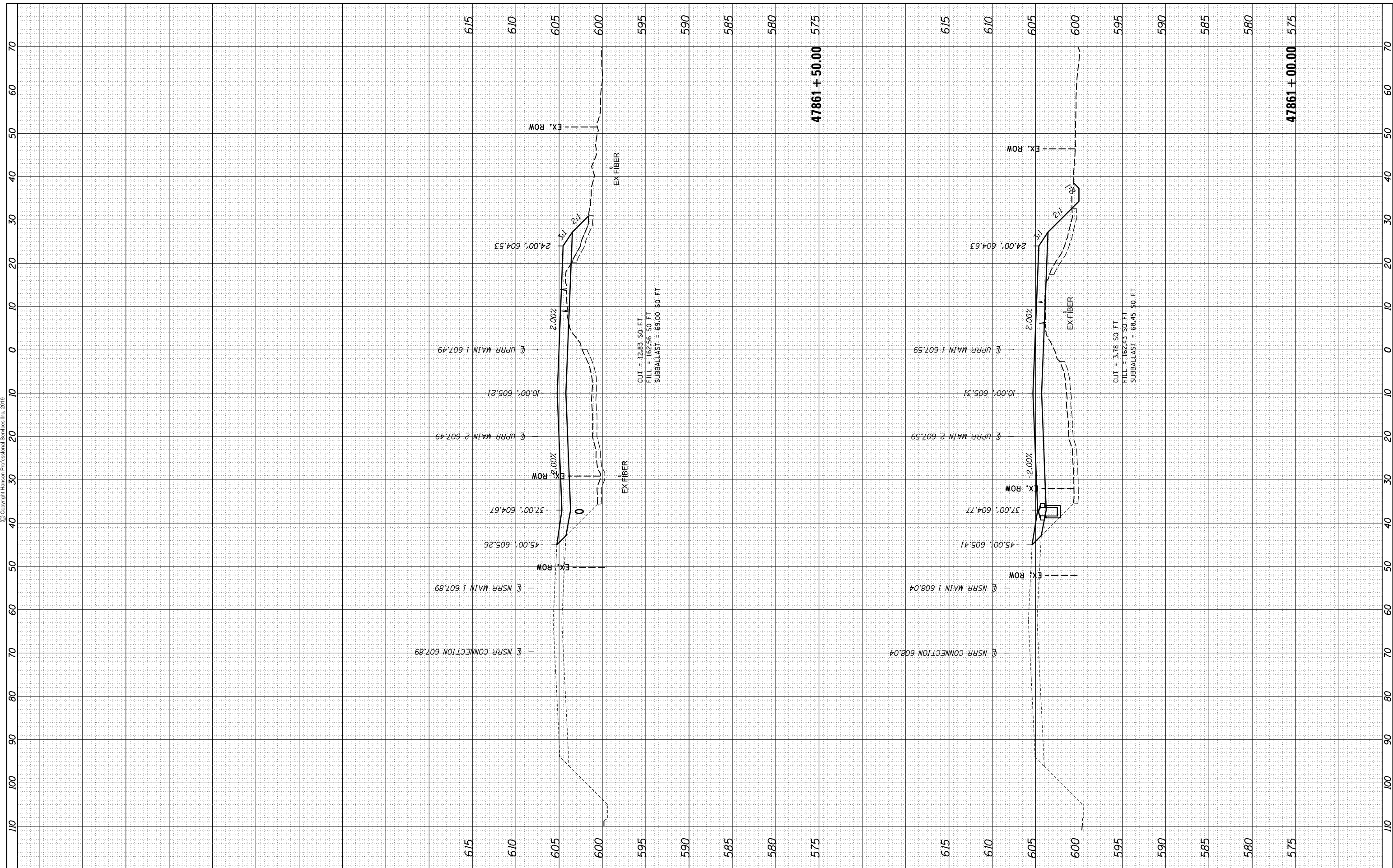
F.A.U. RTE.	SECTION	COUNTY	TOTAL SHEETS	SHEET NO.
•	(109) VB,(110) VB-5	SANGAMON	382	377
	09L0179B	CONTRACT NO.	93733	
ILLINOIS FED. AID PROJECT				

FINAL SURVEY NO.	SURVEYED	BY	DATE
NOTE BOOK	PLOTTED		
AREAS CHECKED	TEMPLATE		
	AREAS		
	CHECKED		

ORIGINAL SURVEY NO.	SURVEYED	BY	DATE
NOTE BOOK	PLOTTED		
AREAS CHECKED	TEMPLATE		
	AREAS		
	CHECKED		



© Copyright Hanson Professional Services Inc. 2019



FILE NAME = D609L0179b-SHT-XSSstage4_US4.dgn
 XS.SHEET_temporary_model_name_24

USER NAME = Pop00275
 DESIGNED - GCN
 DRAWN - CLG
 CHECKED - JWM/GCN
 DATE - 03/15/2019

REVISED -
 REVISED -
 REVISED -
 REVISED -

**STATE OF ILLINOIS
 DEPARTMENT OF TRANSPORTATION**

**SPRINGFIELD RAIL IMPROVEMENTS PROJECT
 SPRINGFIELD, SANGAMON COUNTY, ILLINOIS
 CROSS SECTIONS - STAGE 4 TRACK**

SCALE: SHEET 22 OF 26 SHEETS STA. 47861+00.00 TO STA. 47861+50.00

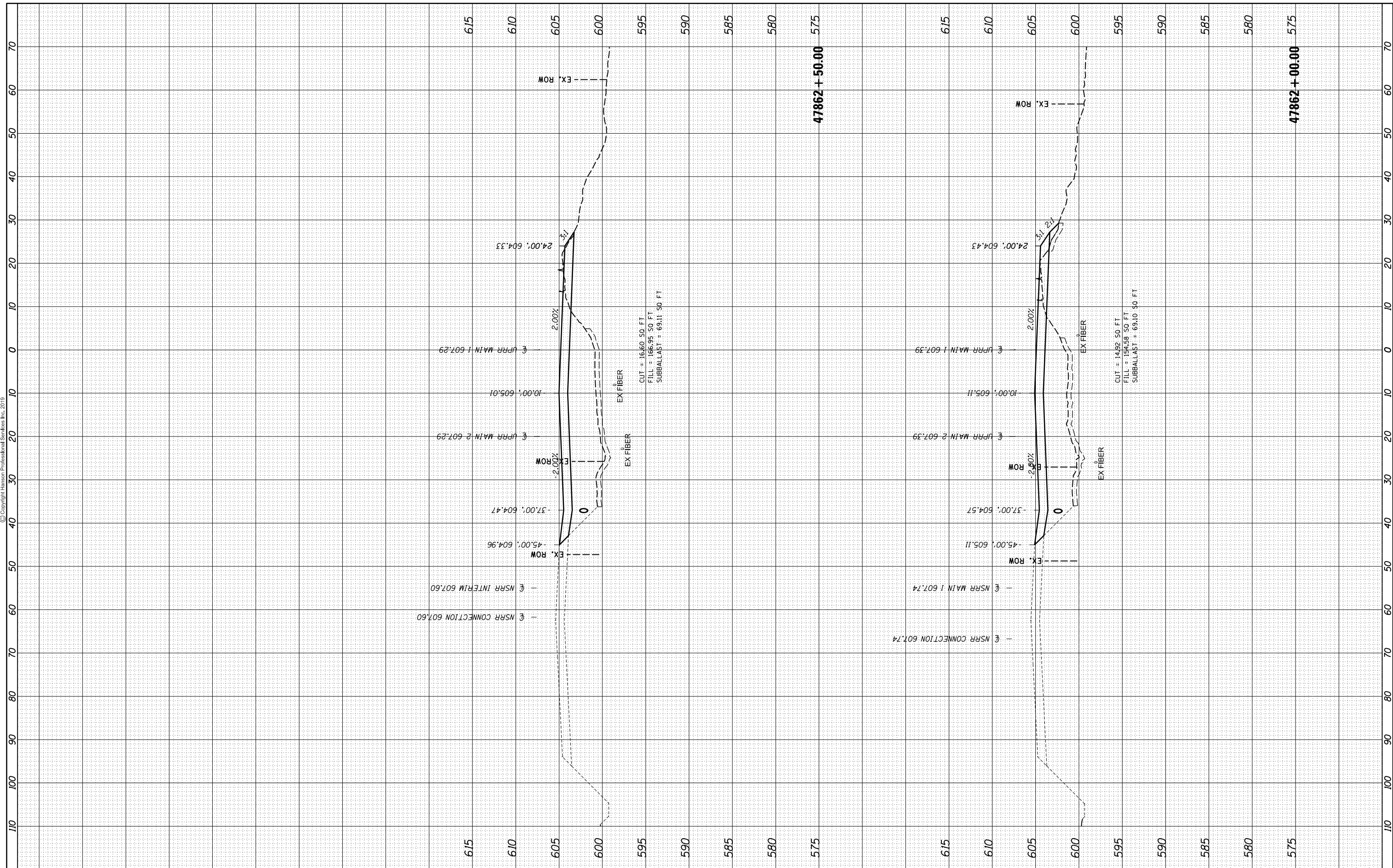
F.A.U. RTE.	SECTION	COUNTY	TOTAL SHEETS	SHEET NO.
•	(109) VB,(110) VB-5	SANGAMON	382	378
	09L0179B	CONTRACT NO.	93733	
666 & 666 ALT. ILLINOIS FED. AID PROJECT				

FINAL SURVEY NO.	SURVEYED	BY	DATE
NOTE BOOK	PLOTTED		
AREAS CHECKED	TEMPLATE		
	AREAS		



© Copyright Hanson Professional Services Inc. 2019

ORIGINAL SURVEY NO.	SURVEYED	BY	DATE
NOTE BOOK	PLOTTED		
AREAS CHECKED	TEMPLATE		
	AREAS		



FINAL FILE NAME = D609L0179b-SHT-XSSstage4_US4.dgn
XS.SHEET_temporary_model_name_25

USER NAME = Pop00275	DESIGNED - GCN	REVISED -
	DRAWN - CLG	REVISED -
PLOT SCALE = 20.0000' / in.	CHECKED - JWM/GCN	REVISED -
PLOT DATE = 4/11/2019	DATE - 03/15/2019	REVISED -

**STATE OF ILLINOIS
DEPARTMENT OF TRANSPORTATION**

**SPRINGFIELD RAIL IMPROVEMENTS PROJECT
SPRINGFIELD, SANGAMON COUNTY, ILLINOIS
CROSS SECTIONS - STAGE 4 TRACK**

F.A.U. RTE.	SECTION	COUNTY	TOTAL SHEETS	SHEET NO.
•	(109) VB,(110) VB-5	SANGAMON	382	379
	09L0179B	CONTRACT NO.	93733	

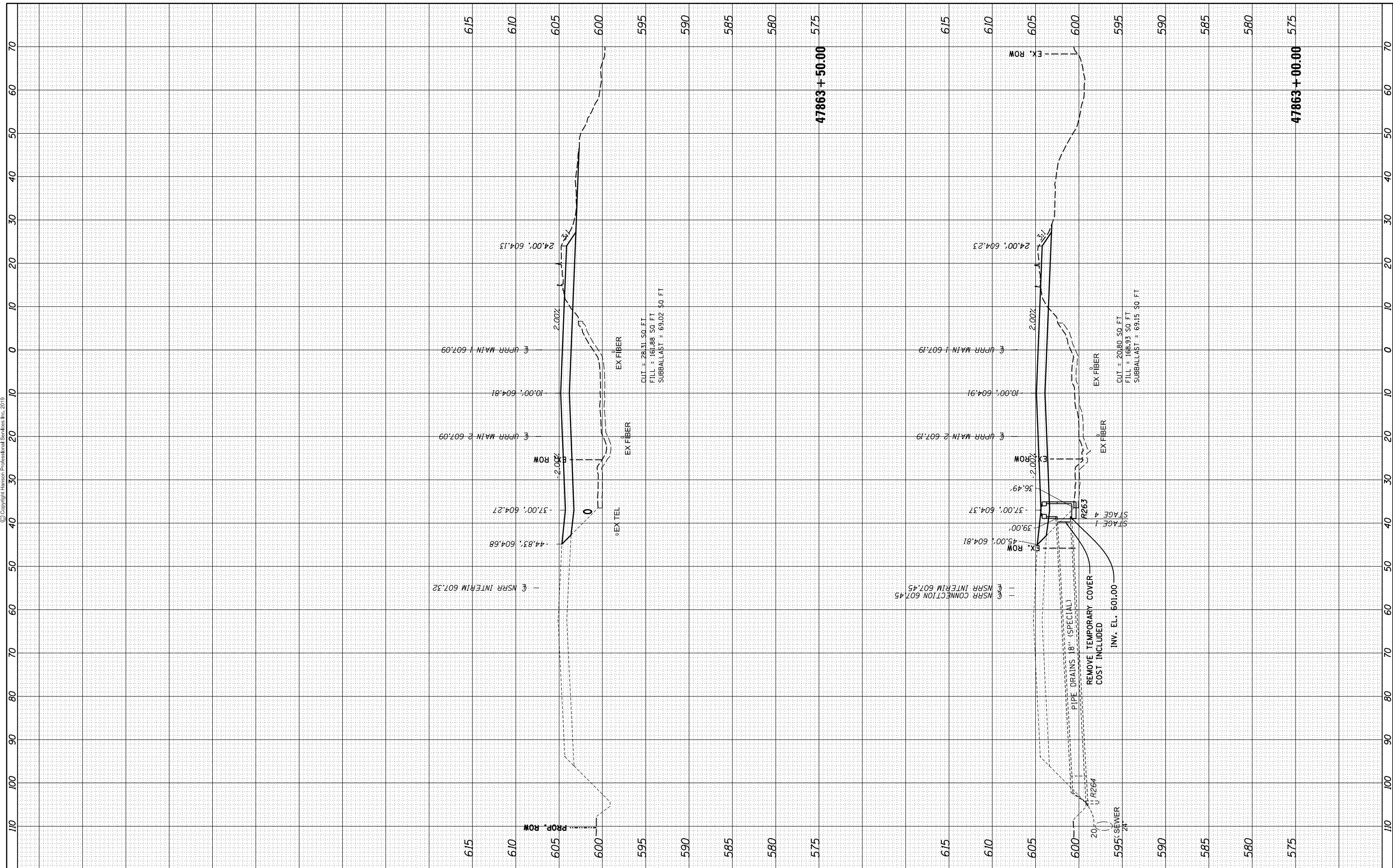
SCALE: SHEET 23 OF 26 SHEETS STA. 47862+00.00 TO STA. 47862+50.00 666 & 666 ALT. ILLINOIS FED. AID PROJECT

FINAL SURVEY NO.	SURVEYED	BY	DATE
NOTE BOOK	PLOTTED		
AREAS CHECKED	TEMPLATE		
	AREAS		
	CHECKED		

ORIGINAL SURVEY NO.	SURVEYED	BY	DATE
NOTE BOOK	PLOTTED		
AREAS CHECKED	TEMPLATE		
	AREAS		
	CHECKED		



© Copyright Hanson Professional Services Inc. 2019



FILE NAME = D609L0179b-SHT-XSSstage4_US4.dgn
 XS.SHEET_temporary_model_name_26

USER NAME = Pop00275	DESIGNED - GCN	REVISED -
PLOT SCALE = 20.0000' / in.	DRAWN - CLG	REVISED -
PLOT DATE = 4/11/2019	CHECKED - JWM/GCN	REVISED -
	DATE - 03/15/2019	REVISED -

STATE OF ILLINOIS
DEPARTMENT OF TRANSPORTATION

SPRINGFIELD RAIL IMPROVEMENTS PROJECT
SPRINGFIELD, SANGAMON COUNTY, ILLINOIS
CROSS SECTIONS - STAGE 4 TRACK

SCALE: SHEET 24 OF 26 SHEETS STA. 47863+00.00 TO STA. 47863+50.00

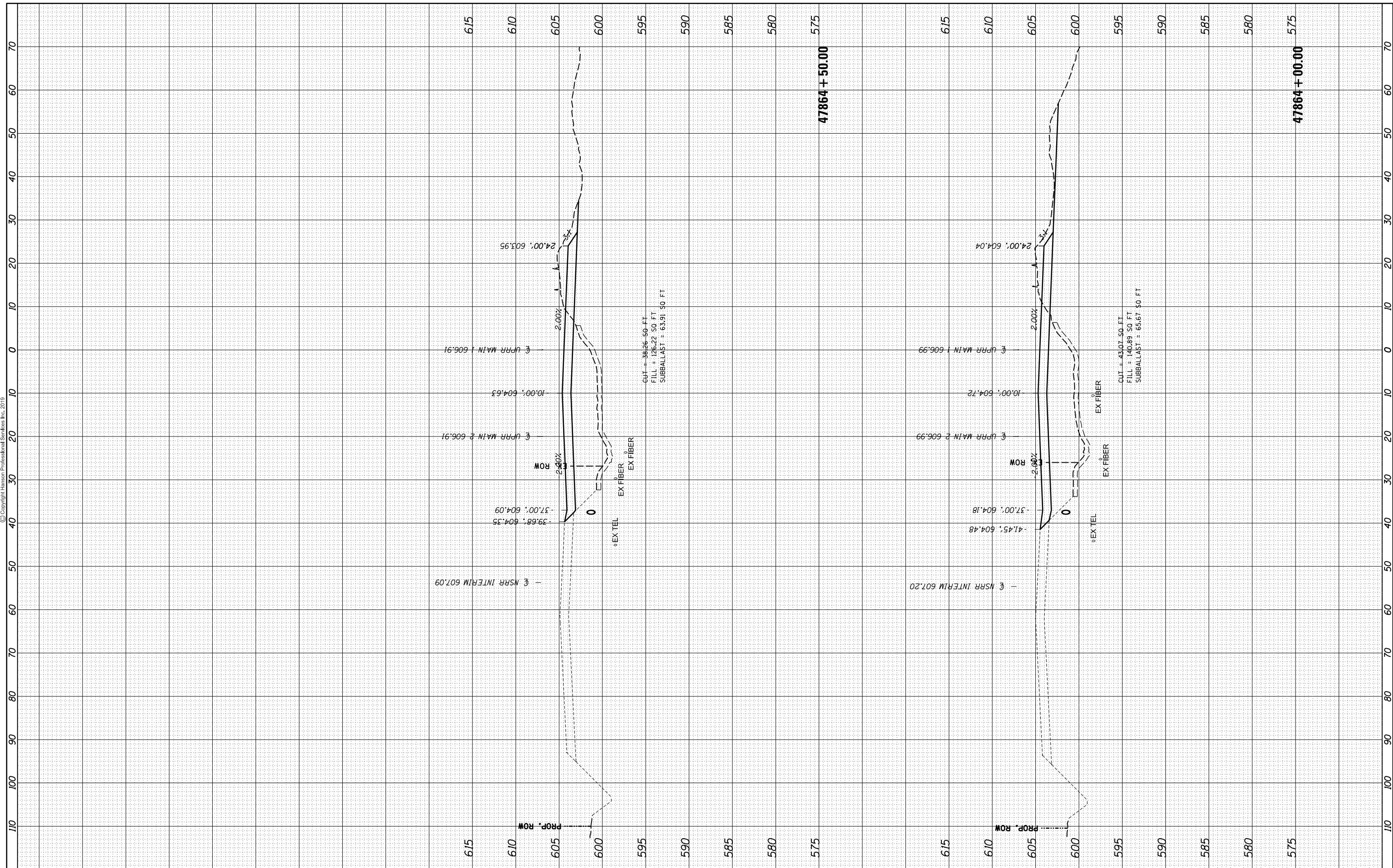
F.A.U. RTE.	SECTION	COUNTY	TOTAL SHEETS	SHEET NO.
•	(109) VB,(110) VB-5	SANGAMON	382	380
	09L0179B	CONTRACT NO.	93733	
666 & 666 ALT. ILLINOIS FED. AID PROJECT				

FINAL SURVEY NO.	SURVEYED	BY	DATE
	PLOTTED		
	TEMPLATE		
	AREAS CHECKED		

ORIGINAL SURVEY NO.	SURVEYED	BY	DATE
	PLOTTED		
	TEMPLATE		
	AREAS CHECKED		



© Copyright Hanson Professional Services Inc. 2019



FINAL
FILE NAME = D609L0179b-SHT-XSSstage4_US4.dgn
XS.SHEET_temporary_model_name_27

USER NAME = Pop00275	DESIGNED - GCN	REVISED -
	DRAWN - CLG	REVISED -
PLOT SCALE = 20.0000' / in.	CHECKED - JWM/GCN	REVISED -
PLOT DATE = 4/11/2019	DATE - 03/15/2019	REVISED -

STATE OF ILLINOIS
DEPARTMENT OF TRANSPORTATION

SPRINGFIELD RAIL IMPROVEMENTS PROJECT
SPRINGFIELD, SANGAMON COUNTY, ILLINOIS
CROSS SECTIONS - STAGE 4 TRACK

F.A.U. RTE.	SECTION	COUNTY	TOTAL SHEETS	SHEET NO.
	(109) VB,(110) VB-5	SANGAMON	382	381
	09L0179B	CONTRACT NO.	93733	

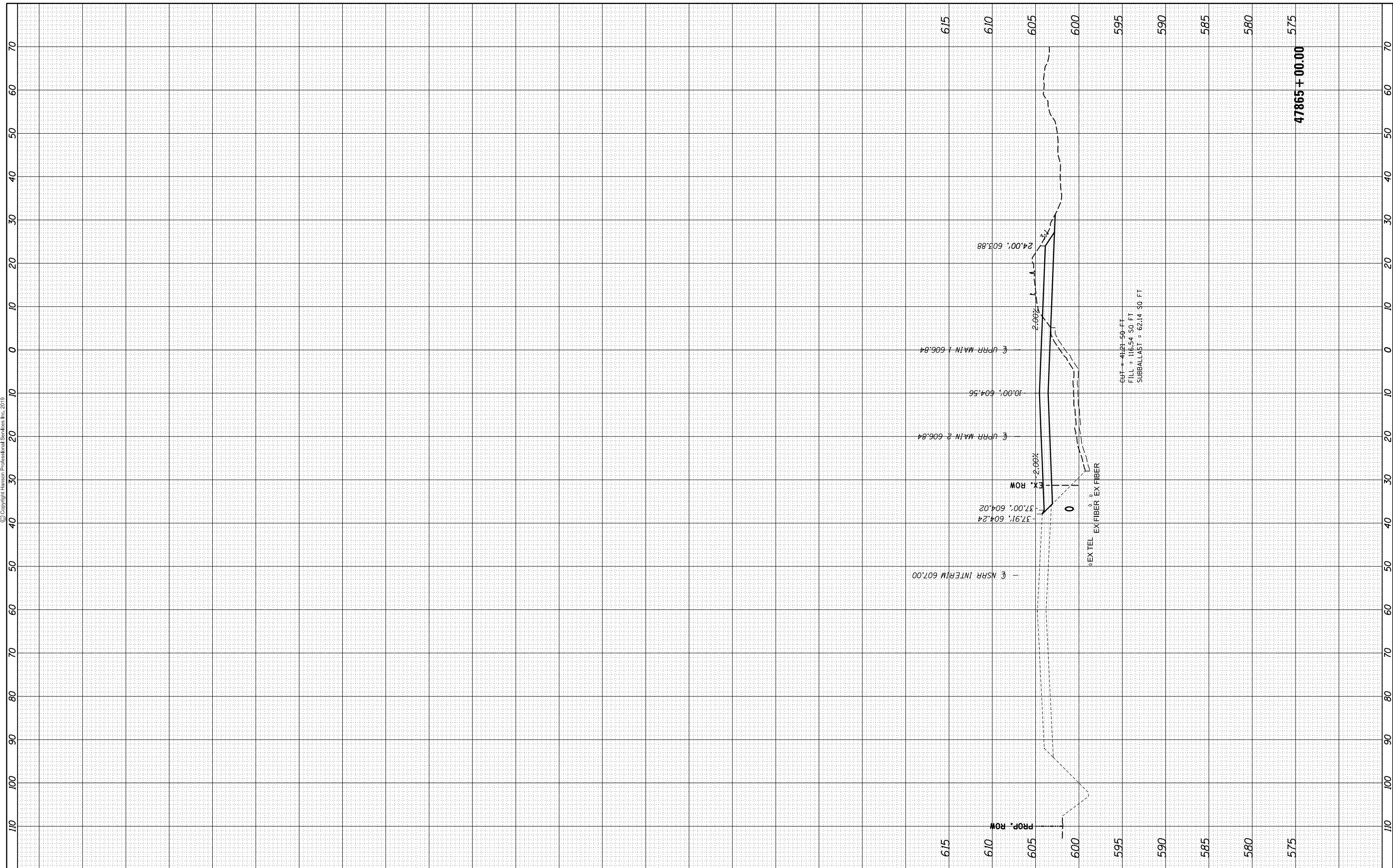
SCALE: SHEET 25 OF 26 SHEETS STA. 47864+00.00 TO STA. 47864+50.00 666 & 666 ALT. ILLINOIS FED. AID PROJECT

FINAL SURVEY NO.	SURVEYED	BY	DATE
	PLOTTED		
	TEMPLATE		
	AREAS		
	CHECKED		

ORIGINAL SURVEY NO.	SURVEYED	BY	DATE
	PLOTTED		
	TEMPLATE		
	AREAS		
	CHECKED		



© Copyright Hanson Professional Services Inc. 2019



47865+00.00

FINAL
FILE NAME = D609L0179b-SHT-XSSstage4_US4.dgn
XS.SHEET_temporary_model_name_28

USER NAME = Pop00275
DESIGNED - GCN
DRAWN - CLG
CHECKED - JWM/GCN
DATE - 03/15/2019

REVISED -
REVISED -
REVISED -
REVISED -

STATE OF ILLINOIS
DEPARTMENT OF TRANSPORTATION

SPRINGFIELD RAIL IMPROVEMENTS PROJECT
SPRINGFIELD, SANGAMON COUNTY, ILLINOIS
CROSS SECTIONS - STAGE 4 TRACK

F.A.U. RTE.	SECTION	COUNTY	TOTAL SHEETS	SHEET NO.
	(109) VB,(110) VB-5	SANGAMON	382	382
	09L0179B	CONTRACT NO.	93733	

SCALE: SHEET 26 OF 26 SHEETS STA. 47865+00.00 TO STA. 47865+00.00 +666 & 666 ALT. ILLINOIS FED. AID PROJECT