

FOR INDEX OF SHEETS, SEE SHEET NO. 2
FOR SUMMARY OF QUANTITIES, SEE SHEET NO. 3-4

STATE OF ILLINOIS
DEPARTMENT OF TRANSPORTATION

F.A.P. RTE.	SECTION	COUNTY	TOTAL SHEETS	SHEET NO.
729	(36X,36X-1,34Z-3)PP	VERMILION	17	1
		ILLINOIS	CONTRACT NO. 70H24	

CURRENT TRAFFIC DATA

FAP 729

	LEG "A"	LEG "B"	LEG "C"	LEG "D"
2024 ADT	9,000	8,350	9,000	12,500
PU&PC%	90.6	92.5	92.2	91.6
SU%	5.0	3.9	4.2	4.6
MU%	4.4	3.6	3.6	3.8

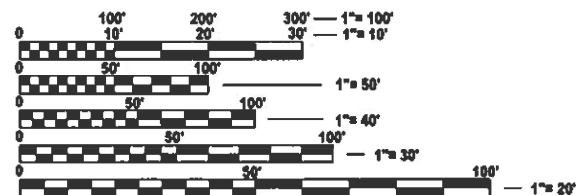
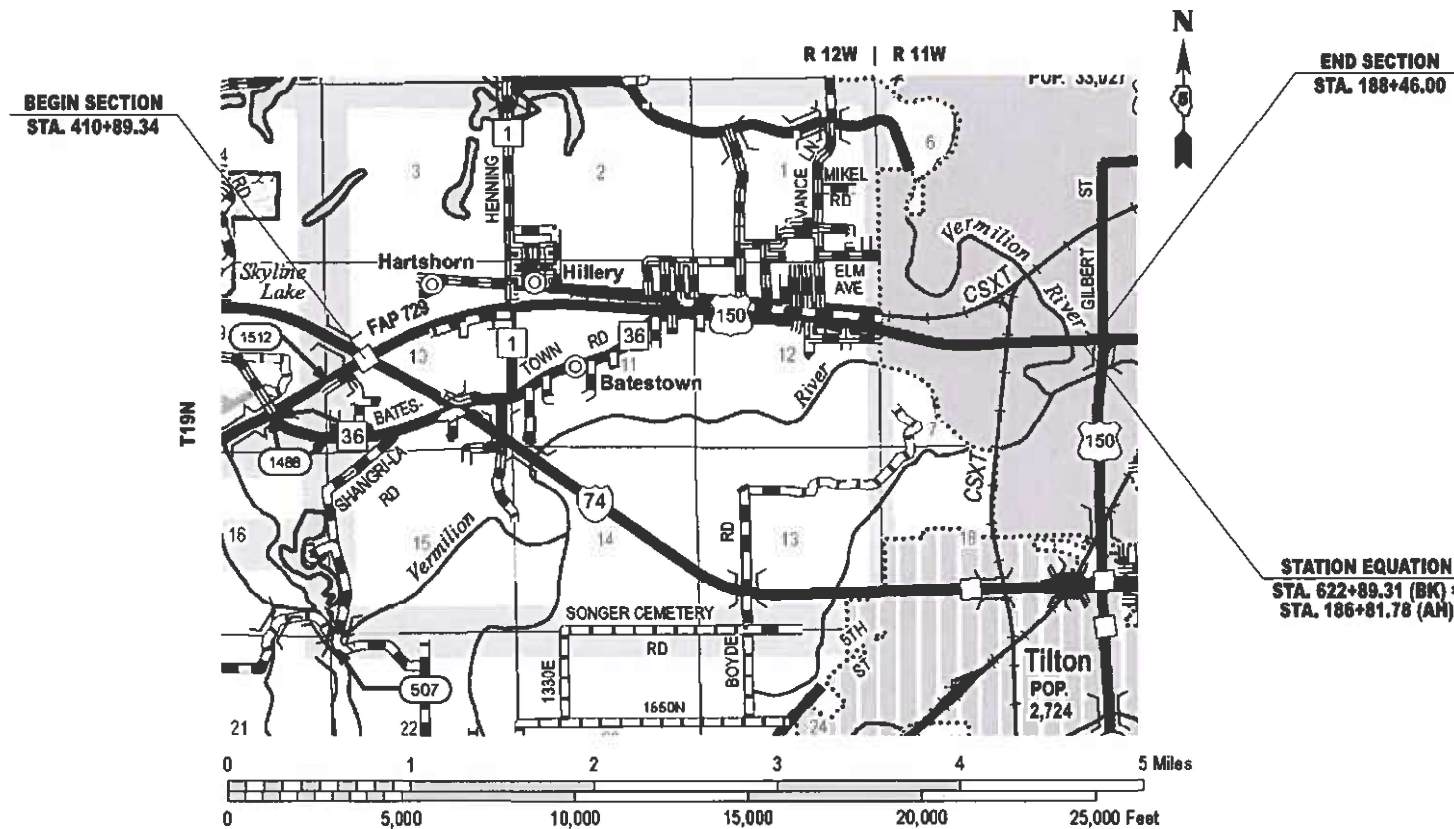
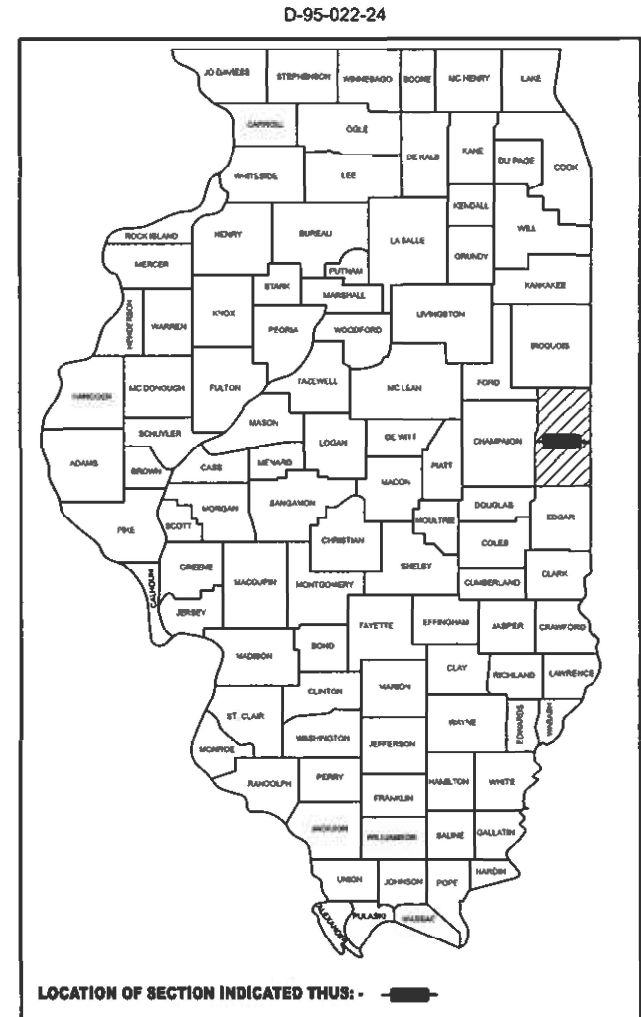
TRAFFIC DATA LOCATIONS

- LEG "A" = US 150 FROM I-74 TO HENNING RD/NORTH ST.
- LEG "B" = US 150 FROM HENNING RD/NORTH ST TO BATESTOWN RD.
- LEG "C" = US 150 FROM BATESTOWN RD TO JONES LN.
- LEG "D" = US 150 FROM JONES LN TO LOGAN AVE.

**PROPOSED
HIGHWAY PLANS**

FAP ROUTE 729 (US 150)
SECTION (36X,36X-1,34Z-3)PP
PATCHING
VERMILION COUNTY

C-95-042-24
0.1 MI E OF I-74 TO LOGAN AVE IN DANVILLE



FULL SIZE PLANS HAVE BEEN PREPARED USING STANDARD ENGINEERING SCALES. REDUCED SIZED PLANS WILL NOT CONFORM TO STANDARD SCALES. IN MAKING MEASUREMENTS ON REDUCED PLANS, THE ABOVE SCALES MAY BE USED.

J.U.L.I.E.
JOINT UTILITY LOCATION INFORMATION FOR EXCAVATION
1-800-892-0123
OR 811
DANVILLE TOWNSHIP

PROJECT ENGINEER: RYAN T. CARROLL
SQUAD LEADER: CLARE B. DIETZ
DESIGNER: JACKSON CHEN
PHONE: (217) 465-4181
CONTRACT NO. 70H24

GROSS LENGTH = 21225.60 FT. = 4.020 MILE
NET LENGTH = 21225.60 FT. = 4.020 MILE

STATE OF ILLINOIS
DEPARTMENT OF TRANSPORTATION

SUBMITTED 3/14/2024
Kensal A. Barnett
REGIONAL ENGINEER

May 10, 2024 [Signature]
ENGINEER OF DESIGN AND ENVIRONMENT

May 10, 2024 [Signature]
DIRECTOR OF HIGHWAYS PROJECT IMPLEMENTATION

**PRINTED BY THE AUTHORITY
OF THE STATE OF ILLINOIS**

INDEX OF SHEETS

SHEET NO.	DESCRIPTION
1	COVER SHEET
2	INDEX OF SHEETS
2	LIST OF HIGHWAY STANDARDS
2	GENERAL NOTES
3-4	SUMMARY OF QUANTITIES
5-14	EXISTING TYPICAL SECTIONS
15-17	SCHEDULE OF QUANTITIES

GENERAL NOTES

G.N.-100A
ELECTRONIC FILES AND/OR ELECTRONIC SURVEY INFORMATION INCLUDING CADD FILES WILL NOT BE AVAILABLE TO THE CONTRACTOR

G.N.-440B
THE EXISTING TIE BARS BETWEEN THE EXISTING PAVEMENT AND EXISTING MEDIANS, GUTTERS AND/OR COMBINATION CURB AND GUTTERS THAT ARE FOUND SUITABLE FOR REUSE SHALL BE CLEANED, STRAIGHTENED AND INCORPORATED INTO THE NEW CONSTRUCTION. ANY EXISTING TIE BARS THAT ARE FOUND UNSUITABLE TO BE INCORPORATED INTO THE PROPOSED CONSTRUCTION DUE TO EXCESSIVE RUSTING OR DISTRESS SHALL BE REMOVED FLUSH WITH THE FACE OF THE EXISTING CONCRETE AND DISPOSED OF OUTSIDE THE LIMITS OF THE RIGHT-OF-WAY IN ACCORDANCE WITH ARTICLE 202.03 OF THE STANDARD SPECIFICATIONS.

THIS WORK WILL NOT BE PAID FOR SEPARATELY BUT SHALL BE CONSIDERED INCLUDED IN THE VARIOUS REMOVAL PAY ITEMS AND NO ADDITIONAL COMPENSATION WILL BE ALLOWED.

HIGHWAY STANDARDS

STANDARD NO.	DESCRIPTION
000001-08	STANDARD SYMBOLS, ABBREVIATIONS AND PATTERNS
001001-02	AREAS OF REINFORCEMENT BARS
001006	DECIMAL OF AN INCH AND OF A FOOT
420001-10	PAVEMENT JOINTS
420101-07	24' (7.2 M) JOINTED PCC PAVEMENT
420701-03	PAVEMENT WELDED WIRE REINFORCEMENT
442101-09	CLASS B PATCHES
701101-05	OFF-ROAD OPERATIONS, MULTILANE, 15' (4.5 M) TO 24" (600 MM) FROM PAVEMENT EDGE
701201-05	LANE CLOSURE, 2L, 2W, DAY ONLY, FOR SPEEDS ≥ 45 MPH
701422-10	LANE CLOSURE, MULTILANE, FOR SPEEDS ≥ 45 MPH TO 55 MPH
701426-09	LANE CLOSURE, MULTILANE, INTERMITTENT OR MOVING OPERATION, FOR SPEEDS ≥ 45 MPH
701606-10	URBAN SINGLE LANE CLOSURE, MULTILANE, 2W WITH MOUNTABLE MEDIAN
701701-10	URBAN LANE CLOSURE, MULTILANE INTERSECTION
701901-09	TRAFFIC CONTROL DEVICES

NO COMMITMENTS

MODEL: Index [Sheet]
FILE NAME: c:\p\work\project\illinois.gov\0958952\0570H24_SHT_DETAILS.dgn

USER NAME = jackson.chen	DESIGNED -	REVISED -
	DRAWN -	REVISED -
	CHECKED -	REVISED -
PLOT DATE = 2/29/2024	DATE -	REVISED -

**STATE OF ILLINOIS
DEPARTMENT OF TRANSPORTATION**

**INDEX OF SHEETS, GENERAL NOTES,
LIST OF STANDARDS, AND COMMITMENTS**

SCALE: SHEET 1 OF 1 SHEETS STA. TO STA.

F.A.P. RTE.	SECTION	COUNTY	TOTAL SHEETS	SHEET NO.
729	(36X,36X-1,34Z-3)PP	VERMILION	17	2
CONTRACT NO. 70H24			ILLINOIS FED. AID PROJECT	

SUMMARY OF QUANTITIES

LOCATION OF WORK:	FAP 729 (US 150) OTHER PRINCIPAL ARTERIAL URBAN 410+89.34 188+46.00 VERMILION
FUNDING BREAKOUT:	100% STATE
CONSTRUCTION TYPE CODE:	0006

	CODE NO.	ITEM	UNIT	TOTAL QUANTITY	ROADWAY QUANTITY
	44200050	WELDED WIRE REINFORCEMENT	SQ YD	2,722.00	2,722.00
	44201007	CLASS B PATCHES, TYPE II, 13 INCH	SQ YD	47.00	47.00
	44201011	CLASS B PATCHES, TYPE III, 13 INCH	SQ YD	21.00	21.00
	44201013	CLASS B PATCHES, TYPE IV, 13 INCH	SQ YD	227.00	227.00
	44201019	CLASS B PATCHES, TYPE II, 14 INCH	SQ YD	733.00	733.00
	44201023	CLASS B PATCHES, TYPE III, 14 INCH	SQ YD	220.00	220.00
	44201025	CLASS B PATCHES, TYPE IV, 14 INCH	SQ YD	2,254.00	2,254.00
	44201299	DOWEL BARS 1 1/2"	EACH	3,539.00	3,539.00
	44213200	SAW CUTS	FOOT	8,870.00	8,870.00
	44213204	TIE BARS 3/4"	EACH	953.00	953.00
	67100100	MOBILIZATION	L SUM	1.00	1.00
	70100450	TRAFFIC CONTROL AND PROTECTION, STANDARD 701201	L SUM	1.00	1.00
	70100320	TRAFFIC CONTROL AND PROTECTION, STANDARD 701422	L SUM	1.00	1.00
	70102625	TRAFFIC CONTROL AND PROTECTION, STANDARD 701606	L SUM	1.00	1.00
* DENOTES SPECIALTY ITEM					

MODEL: SOQ (Sheet)
FILE NAME: c:\p\work\vermilion\illinois.gov\0958952\0570H24_SHT_DETAILS.dgn

USER NAME = jackson.chen	DESIGNED -	REVISED -
	DRAWN -	REVISED -
	CHECKED -	REVISED -
PLOT DATE = 3/11/2024	DATE -	REVISED -

**STATE OF ILLINOIS
DEPARTMENT OF TRANSPORTATION**

SUMMARY OF QUANTITIES

SCALE: SHEET 1 OF 2 SHEETS STA. TO STA.

F.A.P. RTE.	SECTION	COUNTY	TOTAL SHEETS	SHEET NO.
729	(36X,36X-1,34Z-3)PP	VERMILION	17	3
CONTRACT NO. 70H24				
ILLINOIS FED. AID PROJECT				

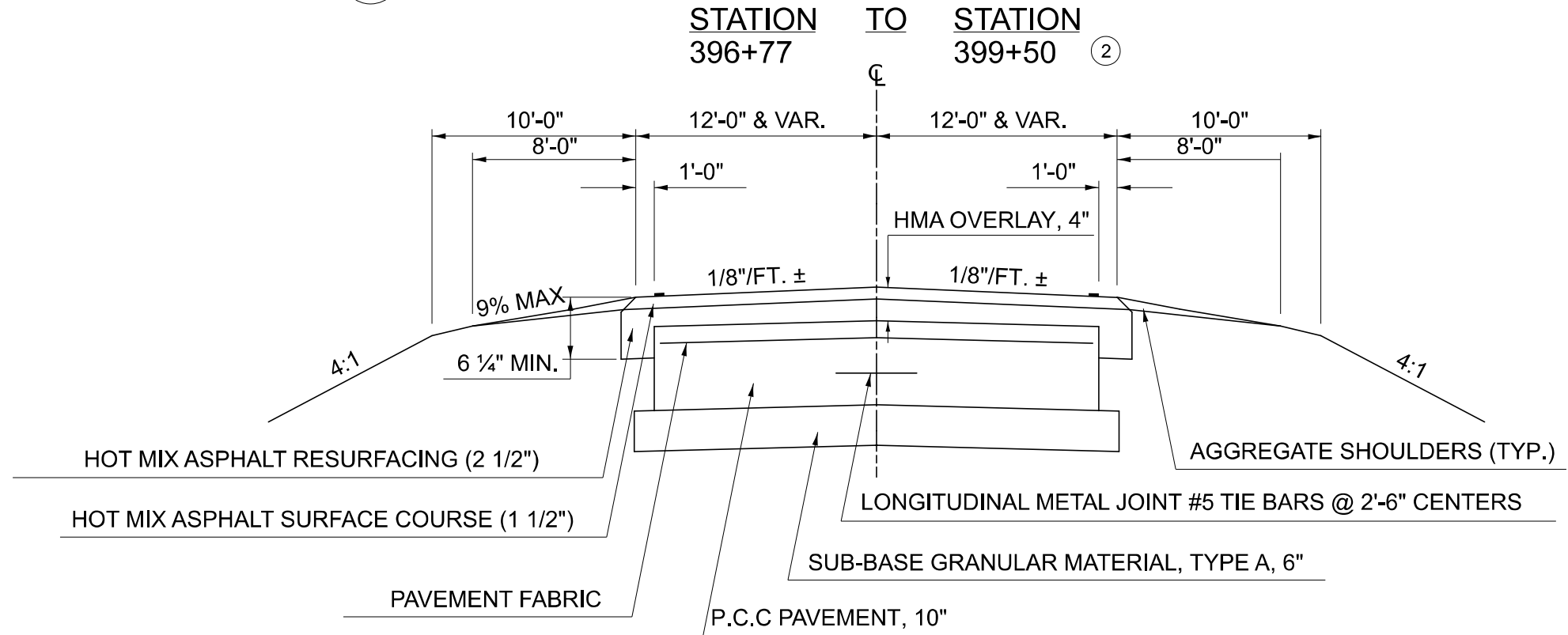
SUMMARY OF QUANTITIES

LOCATION OF WORK:	FAP 729 (US 150)
	OTHER PRINCIPAL ARTERIAL
	URBAN
	410+89.34
	188+46.00
	VERMILION
FUNDING BREAKOUT:	100% STATE
CONSTRUCTION TYPE CODE:	0006

CODE NO.	ITEM	UNIT	TOTAL QUANTITY	ROADWAY QUANTITY
70102635	TRAFFIC CONTROL AND PROTECTION, STANDARD 701701	L SUM	1.00	1.00
Z0013798	CONSTRUCTION LAYOUT	L SUM	1.00	1.00
* DENOTES SPECIALTY ITEM				

MODEL: SQO2 (Sheet)
 FILE NAME: c:\p\work\pwt\illinois.gov_jackson.chen@illinois.gov\0958952\0570H24_SHT_DETAILS.dgn

1 EXISTING TYPICAL CROSS SECTION

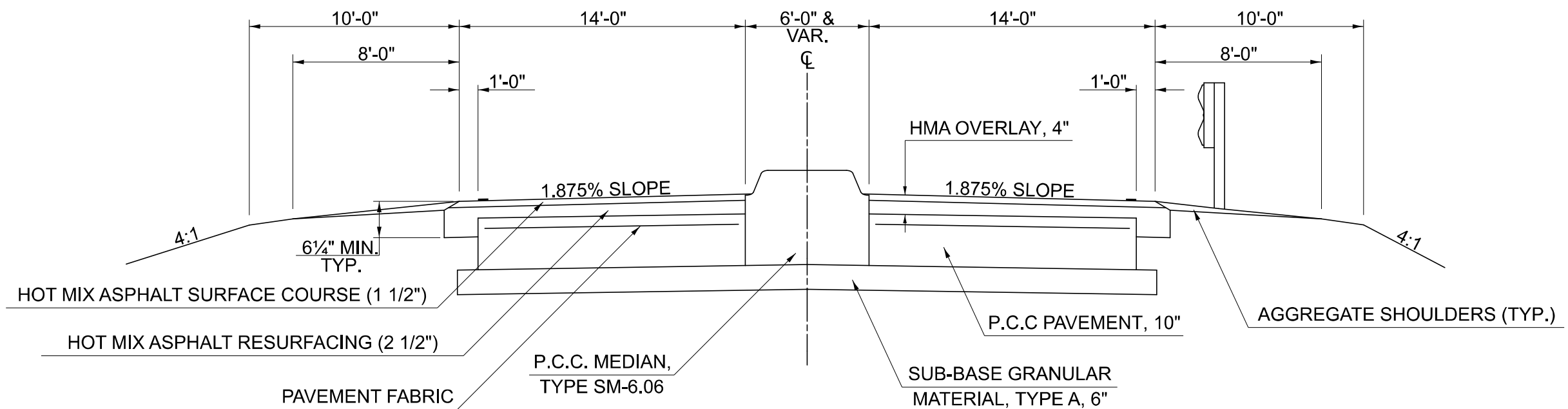


2 EXISTING TYPICAL CROSS SECTION

STATION 399+50 TO STATION 401+94

STATION 405+47 TO STATION 408+65.06

*OMISSION: S.N. 092-0051: STATION 408+65.06 TO STATION 410+89.34



MODEL: Typical-1 (Sheet) FILE NAME: c:\p\work\70h24\illinois.gov\0958952\0570H24_SHT_TYPICAL.dgn

USER NAME = jackson.chen	DESIGNED -	REVISED -
	DRAWN -	REVISED -
	CHECKED -	REVISED -
PLOT DATE = 2/29/2024	DATE -	REVISED -

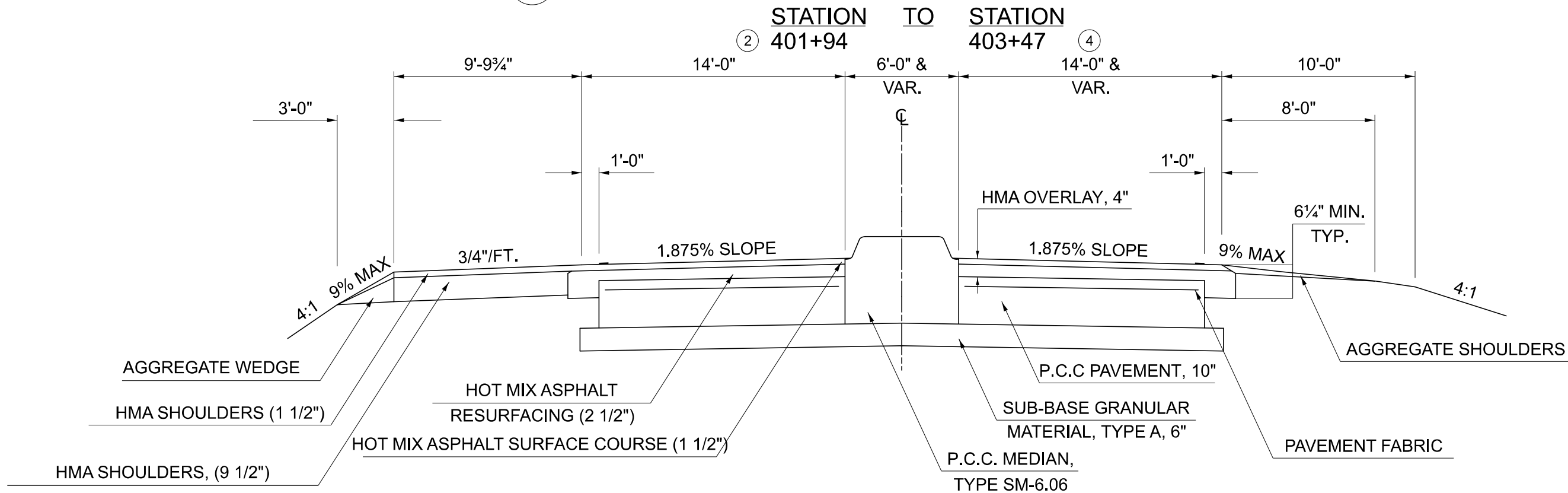
STATE OF ILLINOIS
DEPARTMENT OF TRANSPORTATION

EXISTING TYPICAL SECTIONS

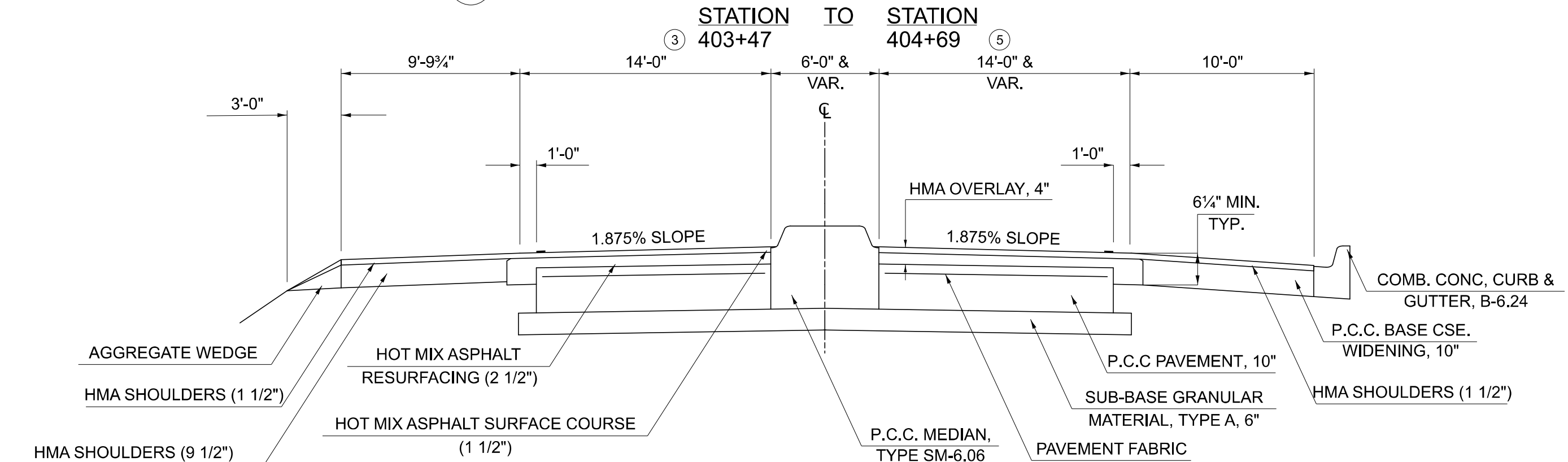
SCALE: SHEET 1 OF 10 SHEETS STA. TO STA.

F.A.P. RTE.	SECTION	COUNTY	TOTAL SHEETS	SHEET NO.
729	(36X,36X-1,34Z-3)PP	VERMILION	17	5
CONTRACT NO. 70H24				
ILLINOIS FED. AID PROJECT				

3 EXISTING TYPICAL CROSS SECTION



4 EXISTING TYPICAL CROSS SECTION



MODEL: Typical-2 (Sheet)
 FILE NAME: c:\p\work\70h24\illinois.gov\0958952\0570H24_SHT_TYPICAL.dgn

USER NAME = jackson.chen	DESIGNED -	REVISED -
	DRAWN -	REVISED -
	CHECKED -	REVISED -
PLOT DATE = 2/29/2024	DATE -	REVISED -

STATE OF ILLINOIS
DEPARTMENT OF TRANSPORTATION

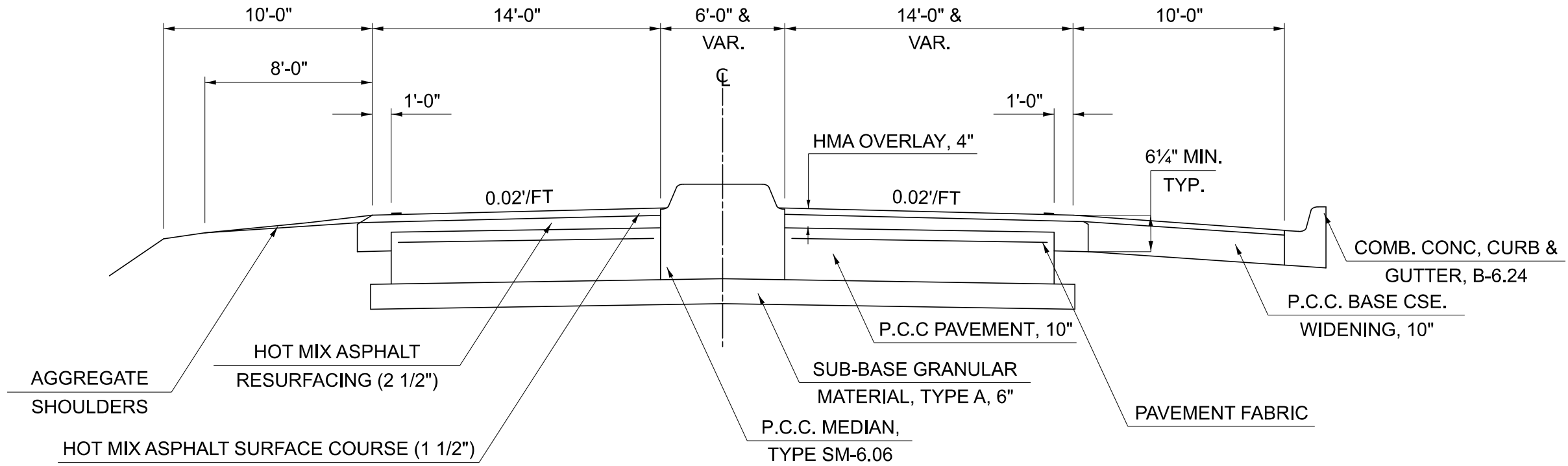
EXISTING TYPICAL SECTIONS

SCALE: SHEET 2 OF 10 SHEETS STA. TO STA.

F.A.P. RTE.	SECTION	COUNTY	TOTAL SHEETS	SHEET NO.
729	(36X,36X-1,34Z-3)PP	VERMILION	17	6
CONTRACT NO. 70H24				
ILLINOIS FED. AID PROJECT				

5 EXISTING TYPICAL CROSS SECTION

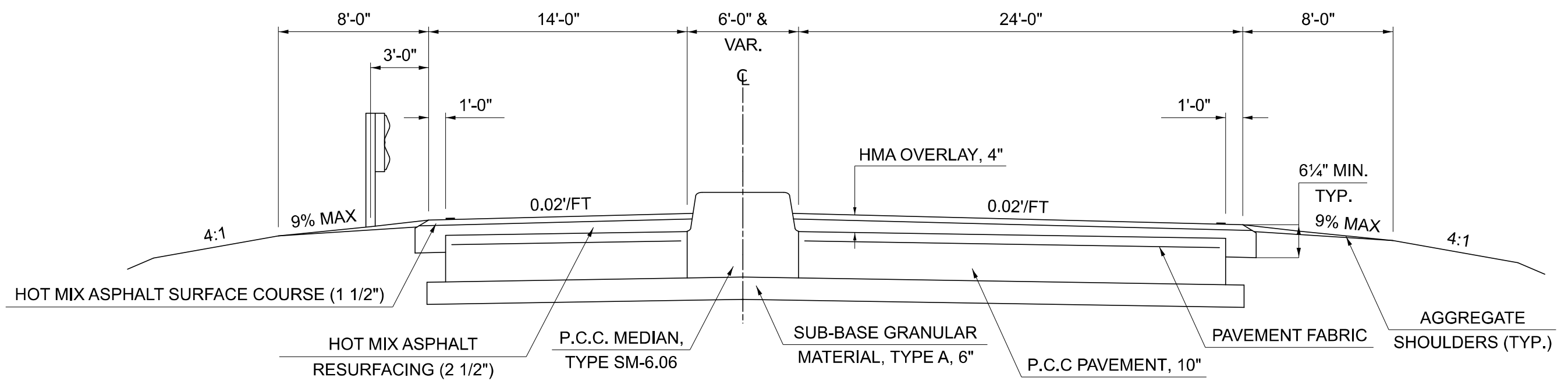
STATION TO STATION
 ④ 404+69 ② 405+47



6 EXISTING TYPICAL CROSS SECTION

STATION TO STATION
 ② 410+89.34 ⑦ 414+78
 ⑦ 416+78 ⑧ 416+99

*OMISSION: S.N. 092-0051: STATION 408+65.06 TO STATION 410+89.34



MODEL: Typical-5 (Sheet)
 FILE NAME: c:\p\work\70h24\illinois.gov\0958952\0570H24_SHT_TYPICAL.dgn

USER NAME = jackson.chen	DESIGNED -	REVISED -
	DRAWN -	REVISED -
	CHECKED -	REVISED -
PLOT DATE = 2/29/2024	DATE -	REVISED -

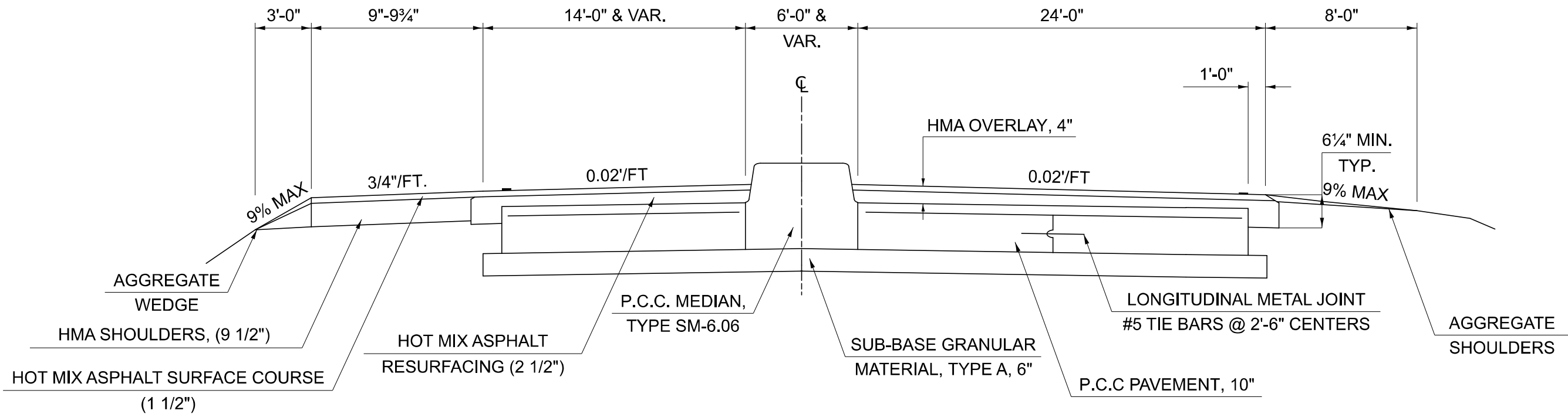
STATE OF ILLINOIS
 DEPARTMENT OF TRANSPORTATION

EXISTING TYPICAL SECTIONS			
SCALE:	SHEET 3	OF 10 SHEETS	STA. TO STA.

F.A.P. RTE.	SECTION	COUNTY	TOTAL SHEETS	SHEET NO.
729	(36X,36X-1,34Z-3)PP	VERMILION	17	7
CONTRACT NO. 70H24				
ILLINOIS FED. AID PROJECT				

7 EXISTING TYPICAL CROSS SECTION

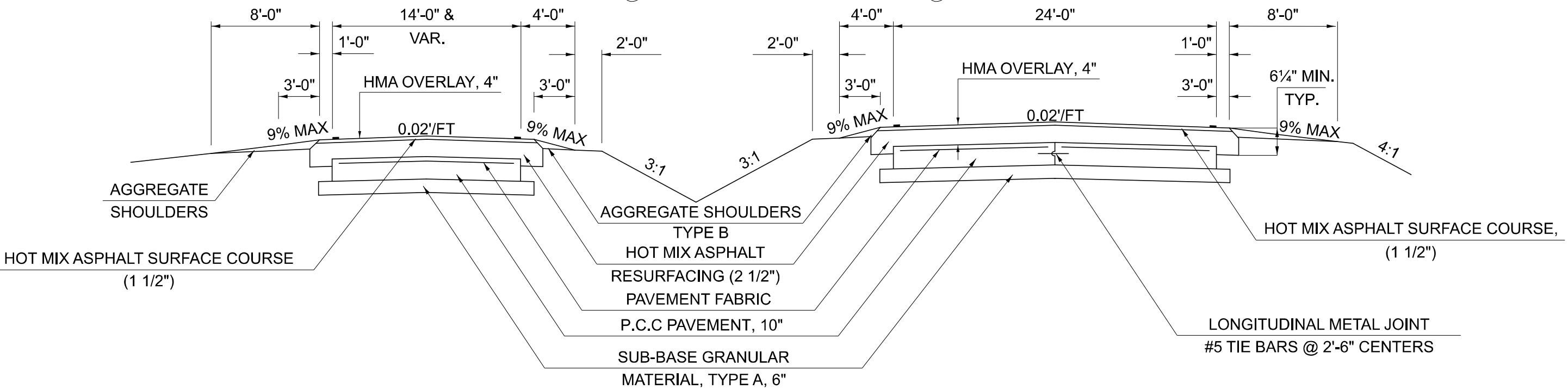
STATION TO STATION
 ⑥ 414+78 TO 416+78 ⑥



8 EXISTING TYPICAL CROSS SECTION

STATION TO STATION
 ⑥ 416+99 TO 417+92 ⑨
 ⑨ *418+47 TO 423+48 ⑩

* NOTE:
 FROM RT. STATION 418+47 TO RT. STATION 423+48,
 SEE TYPICAL CROSS SECTION #10



MODEL: Typical-4 (Sheet)
 FILE NAME: c:\p\work\70h24\illinois.gov\0958952\0570H24_SHT_TYPICAL.dgn

USER NAME = jackson.chen	DESIGNED -	REVISED -
	DRAWN -	REVISED -
	CHECKED -	REVISED -
PLOT DATE = 2/29/2024	DATE -	REVISED -

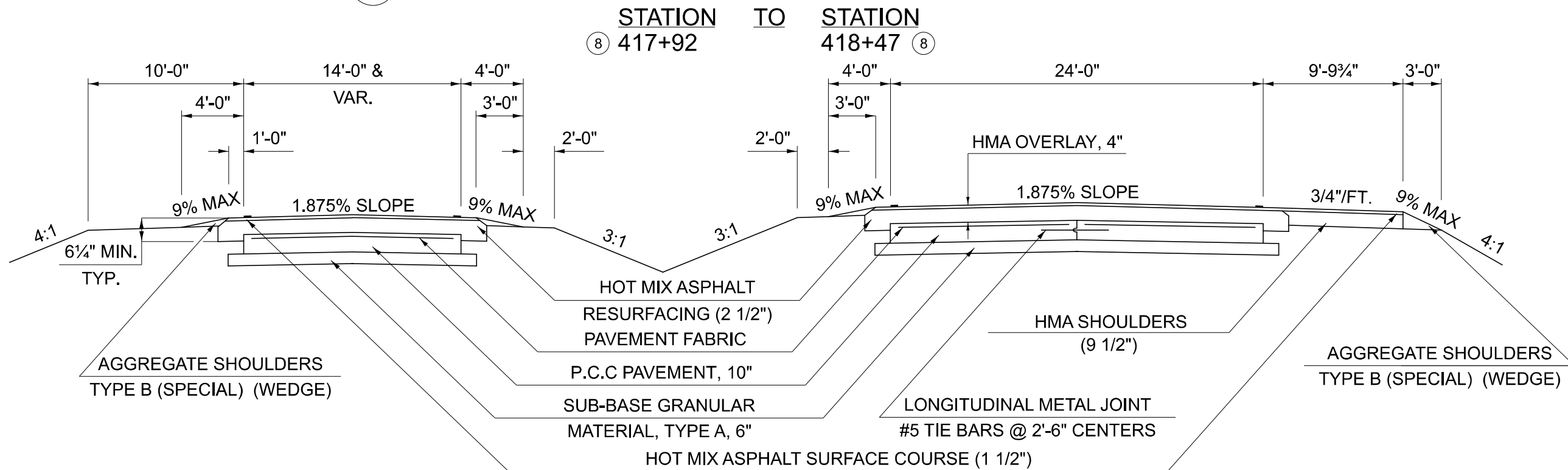
STATE OF ILLINOIS
 DEPARTMENT OF TRANSPORTATION

EXISTING TYPICAL SECTIONS

SCALE: SHEET 4 OF 10 SHEETS STA. TO STA.

F.A.P. RTE.	SECTION	COUNTY	TOTAL SHEETS	SHEET NO.
729	(36X,36X-1,34Z-3)PP	VERMILION	17	8
CONTRACT NO. 70H24				
ILLINOIS FED. AID PROJECT				

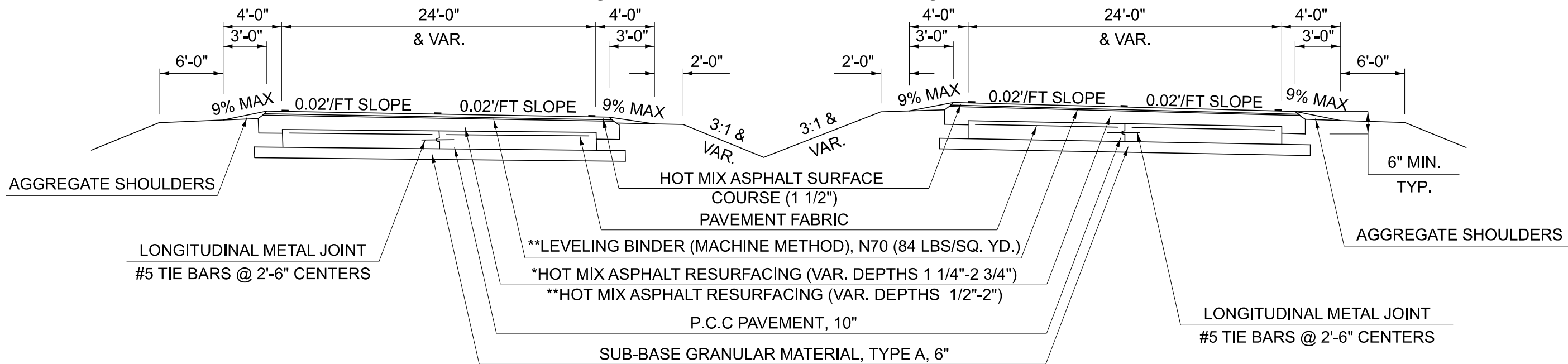
9 EXISTING TYPICAL CROSS SECTION



10 EXISTING TYPICAL CROSS SECTION

NOTE: NORMAL CROWN SECTION STA. 475+00 TO STA. 496+10

STATION TO STATION
 ⑧ *423+48 TO 447+82.54 ⑪
 ⑪ **460+40.87 TO 515+87 ⑫
 ⑫ **525+63 TO 586+88 ⑬



MODEL: Typical-5 (Sheet) FILE NAME: c:\p\work\70h24\illinois.gov\0958952\0570H24_SHT_TYPICAL.dgn

USER NAME = jackson.chen	DESIGNED -	REVISED -
	DRAWN -	REVISED -
	CHECKED -	REVISED -
PLOT DATE = 2/29/2024	DATE -	REVISED -

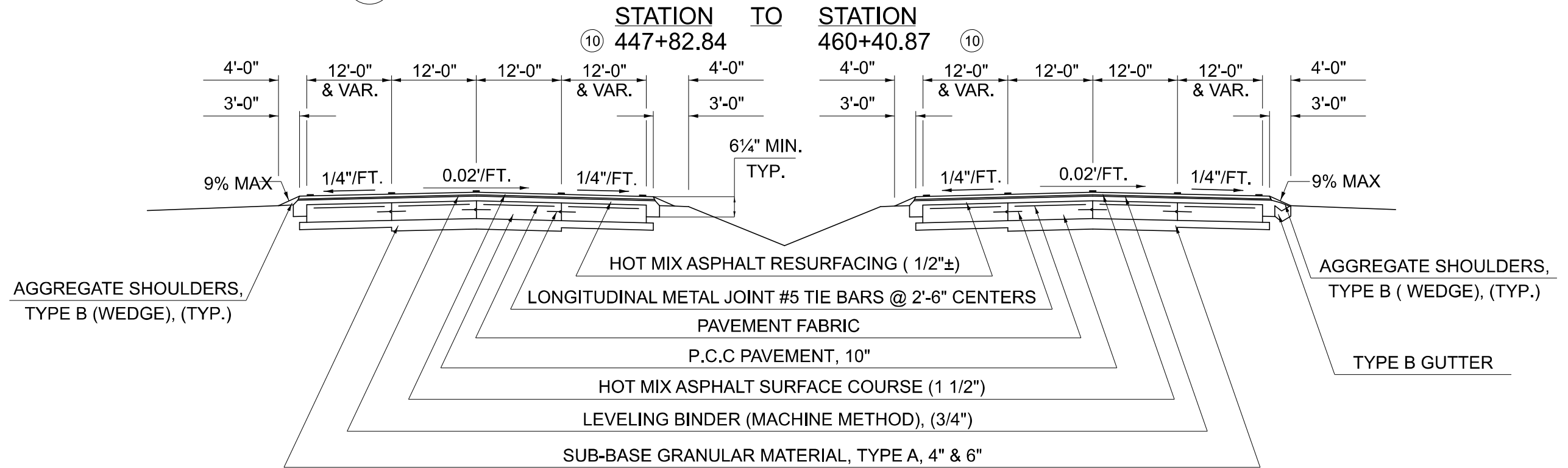
STATE OF ILLINOIS
 DEPARTMENT OF TRANSPORTATION

EXISTING TYPICAL SECTIONS

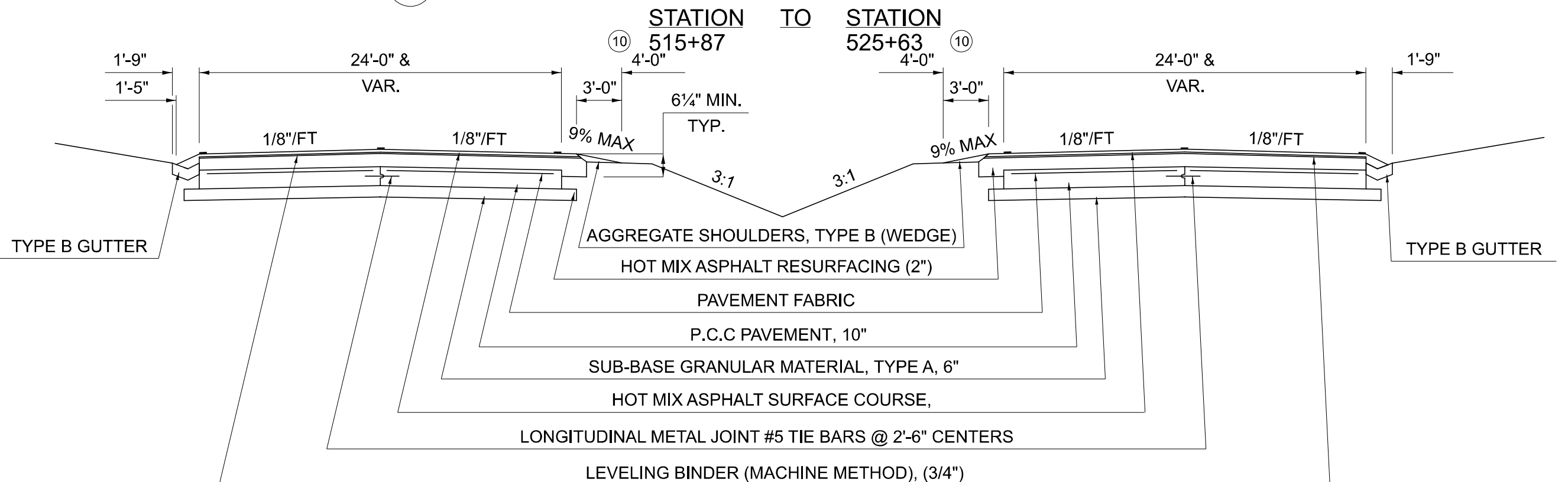
SCALE: SHEET 5 OF 10 SHEETS STA. TO STA.

F.A.P. RTE.	SECTION	COUNTY	TOTAL SHEETS	SHEET NO.
729	(36X,36X-1,34Z-3)PP	VERMILION	17	9
CONTRACT NO. 70H24				
ILLINOIS FED. AID PROJECT				

11 EXISTING TYPICAL CROSS SECTION



12 EXISTING TYPICAL CROSS SECTION



MODEL: Typical-16 (Sheet)
 FILE NAME: c:\p\work\project\illinois.gov\0958952\0570H24_SHT_TYPICAL.dgn

USER NAME = jackson.chen	DESIGNED -	REVISED -
	DRAWN -	REVISED -
	CHECKED -	REVISED -
PLOT DATE = 2/29/2024	DATE -	REVISED -

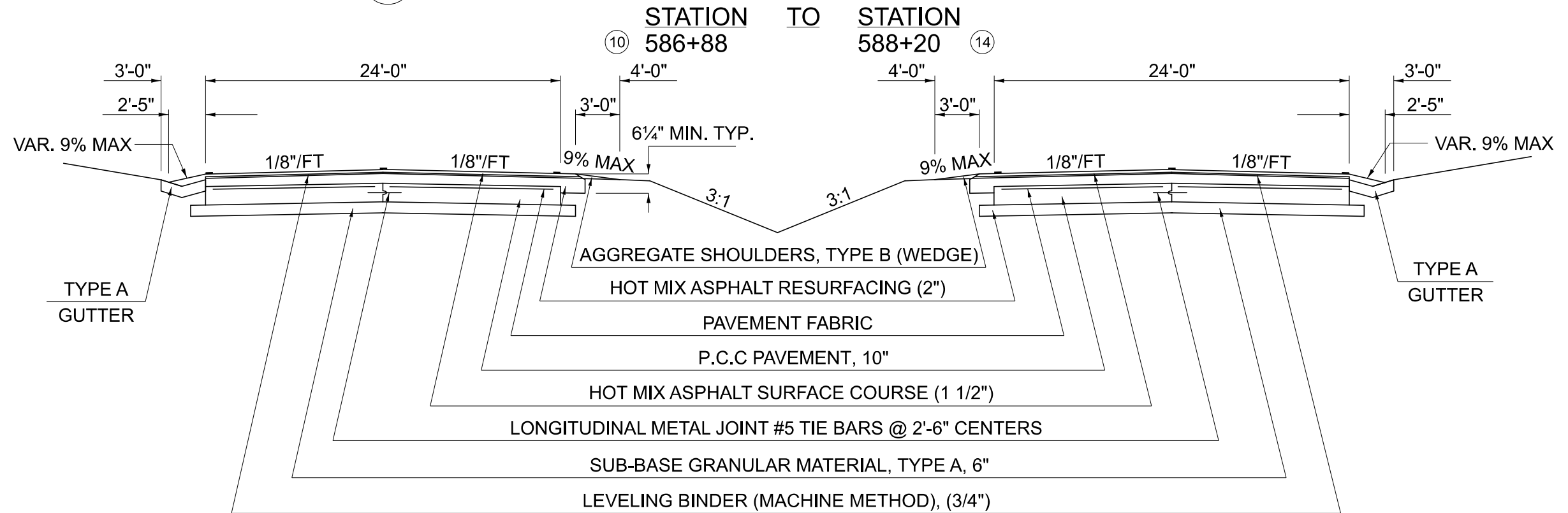
STATE OF ILLINOIS
 DEPARTMENT OF TRANSPORTATION

EXISTING TYPICAL SECTIONS

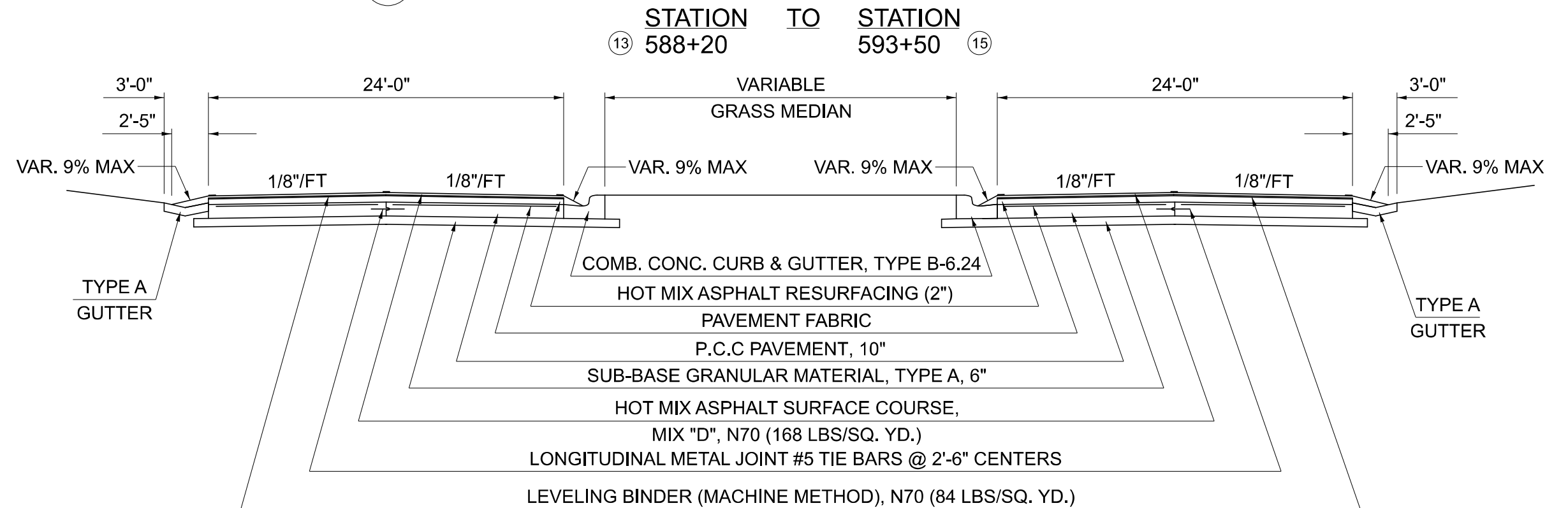
SCALE: SHEET 6 OF 10 SHEETS STA. TO STA.

F.A.P. RTE.	SECTION	COUNTY	TOTAL SHEETS	SHEET NO.
729	(36X,36X-1,34Z-3)PP	VERMILION	17	10
CONTRACT NO. 70H24				
ILLINOIS FED. AID PROJECT				

13 EXISTING TYPICAL CROSS SECTION



14 EXISTING TYPICAL CROSS SECTION



MODEL: Typical-7 (Sheet)
 FILE NAME: c:\p\work\70h24\illinois.gov\0958952\0570H24_SHT_TYPICAL.dgn

USER NAME = jackson.chen	DESIGNED -	REVISED -
	DRAWN -	REVISED -
	CHECKED -	REVISED -
PLOT DATE = 2/29/2024	DATE -	REVISED -

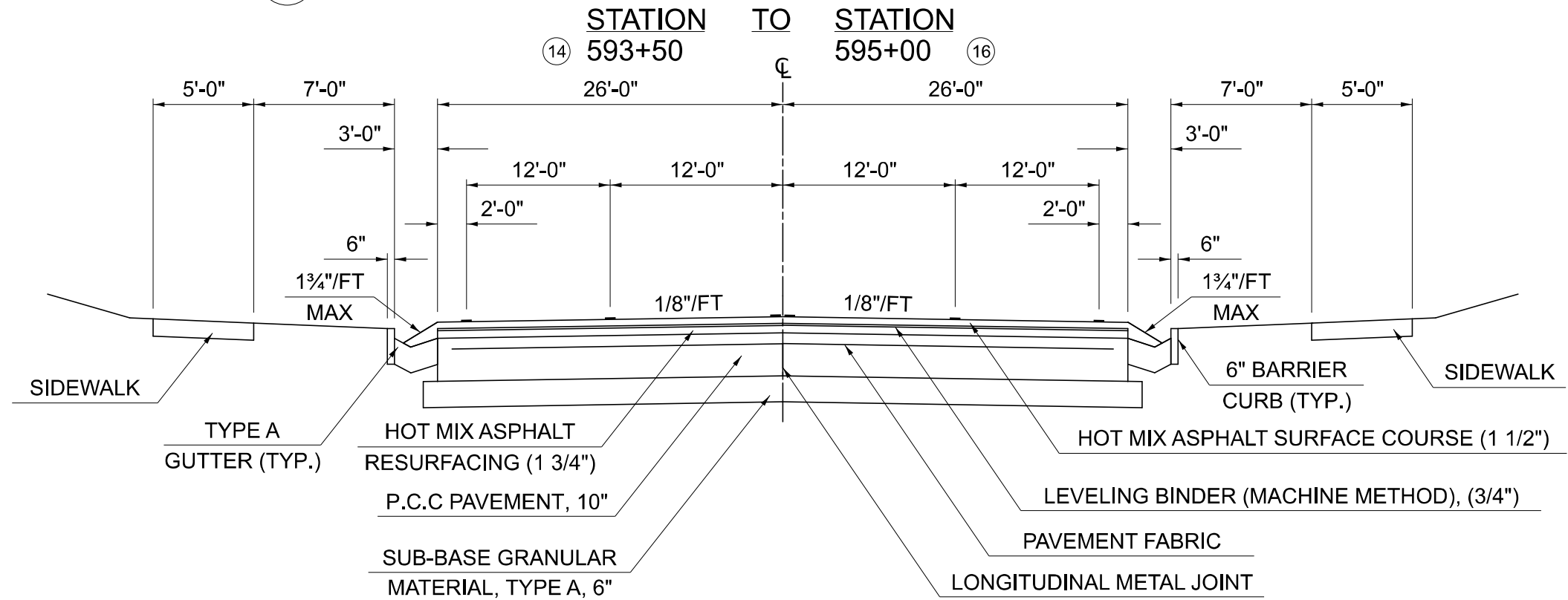
STATE OF ILLINOIS
 DEPARTMENT OF TRANSPORTATION

EXISTING TYPICAL SECTIONS

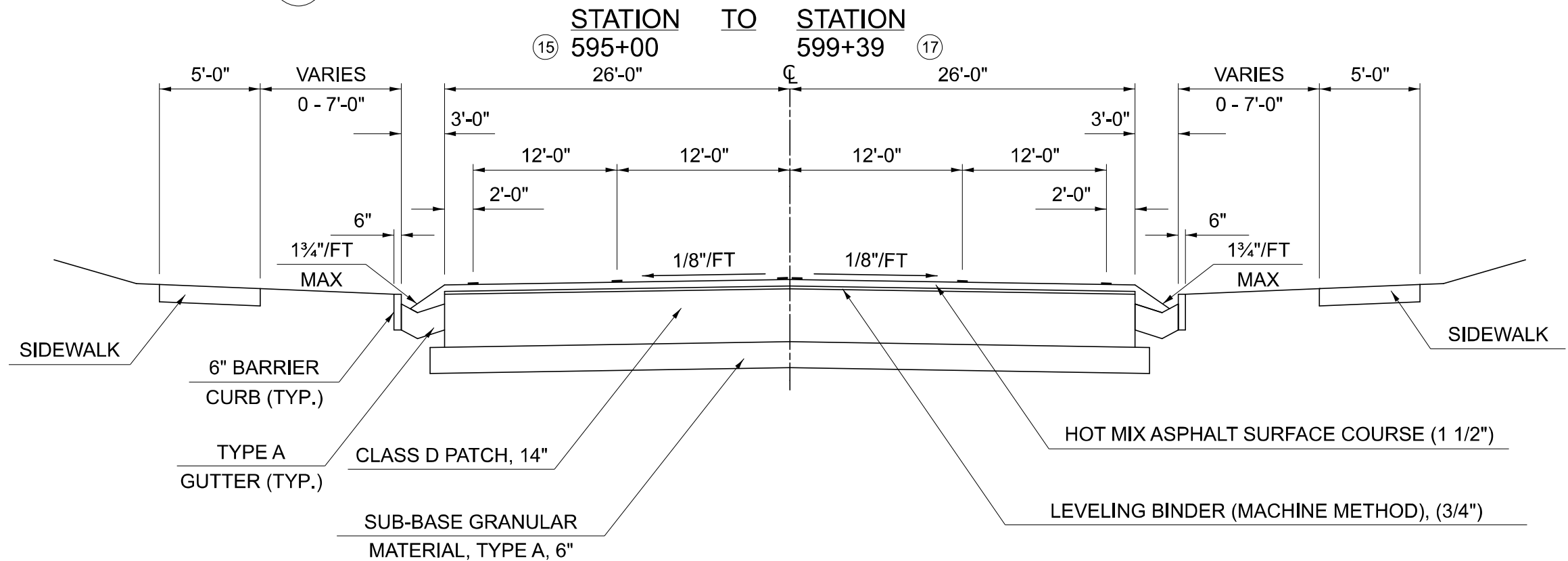
SCALE: SHEET 7 OF 10 SHEETS STA. TO STA.

F.A.P. RTE.	SECTION	COUNTY	TOTAL SHEETS	SHEET NO.
729	(36X,36X-1,34Z-3)PP	VERMILION	17	11
CONTRACT NO. 70H24				
ILLINOIS FED. AID PROJECT				

15 EXISTING TYPICAL CROSS SECTION



16 EXISTING TYPICAL CROSS SECTION



MODEL: Typical-15 (Sheet)
FILE NAME: c:\p\work\vermilion\illinois.gov\0958952\0570H24_SHT_TYPICAL.dgn

USER NAME = jackson.chen	DESIGNED -	REVISED -
	DRAWN -	REVISED -
	CHECKED -	REVISED -
PLOT DATE = 2/29/2024	DATE -	REVISED -

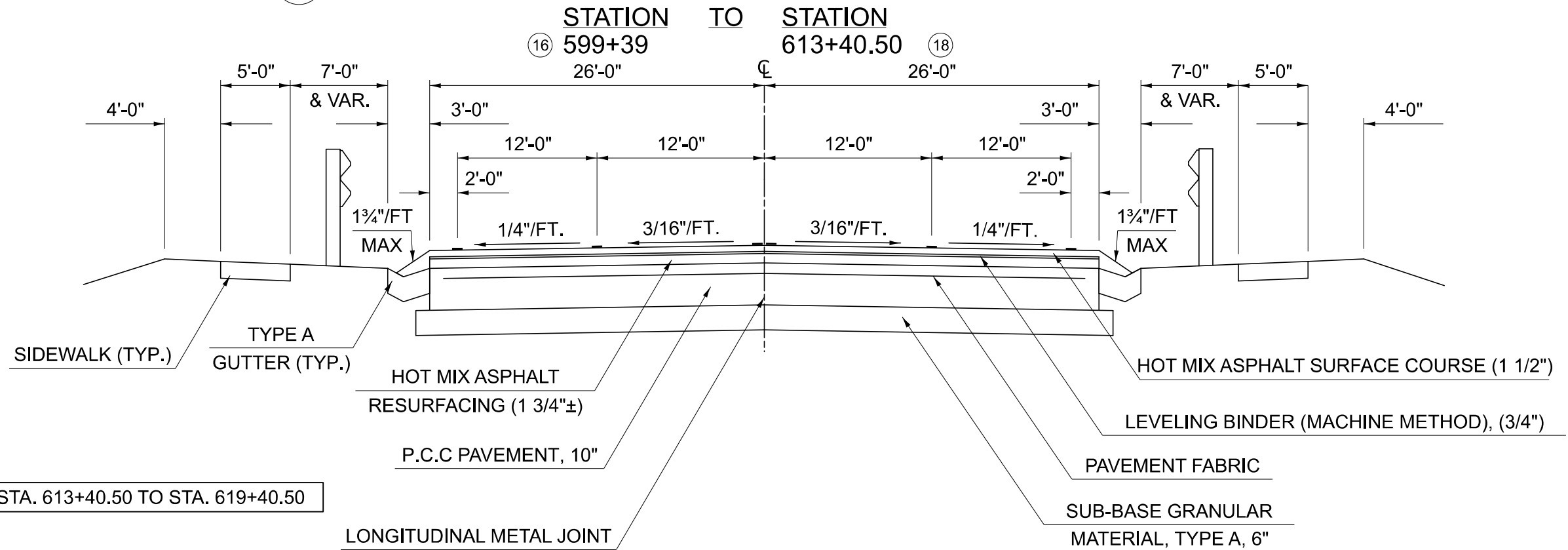
STATE OF ILLINOIS
DEPARTMENT OF TRANSPORTATION

EXISTING TYPICAL SECTIONS

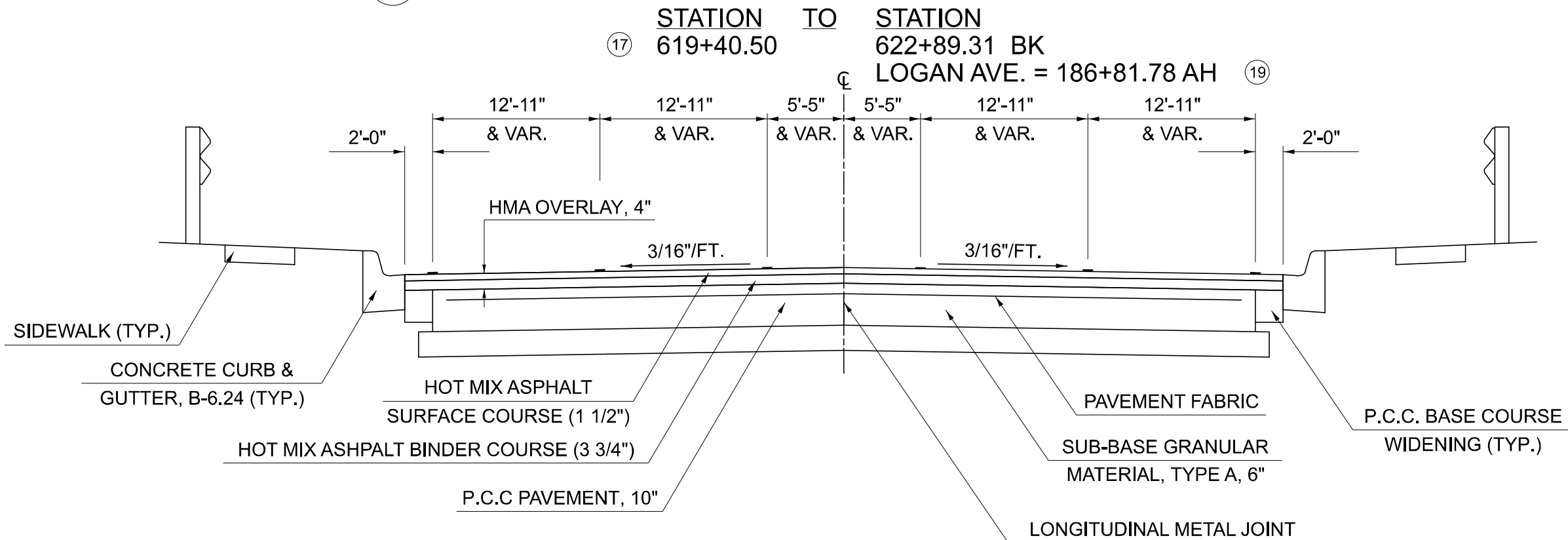
SCALE: SHEET 8 OF 10 SHEETS STA. TO STA.

F.A.P. RTE.	SECTION	COUNTY	TOTAL SHEETS	SHEET NO.
729	(36X,36X-1,34Z-3)PP	VERMILION	17	12
CONTRACT NO. 70H24				
ILLINOIS FED. AID PROJECT				

17 EXISTING TYPICAL CROSS SECTION



18 EXISTING TYPICAL CROSS SECTION



MODEL: Typical9 (Sheet)
 FILE NAME: c:\p\work\70h24\illinois.gov\0958952\0570H24_SHT_TYPICAL.dgn

USER NAME = jackson.chen	DESIGNED -	REVISED -
	DRAWN -	REVISED -
	CHECKED -	REVISED -
PLOT DATE = 2/29/2024	DATE -	REVISED -

STATE OF ILLINOIS
DEPARTMENT OF TRANSPORTATION

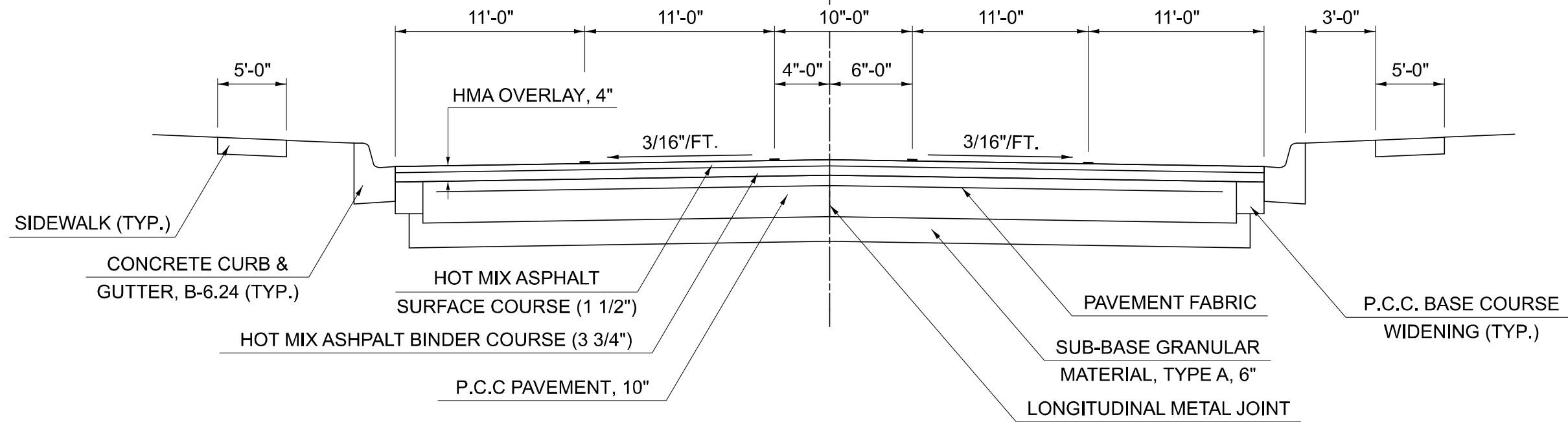
EXISTING TYPICAL SECTIONS

SCALE: SHEET 9 OF 10 SHEETS STA. TO STA.

F.A.P. RTE.	SECTION	COUNTY	TOTAL SHEETS	SHEET NO.
729	(36X,36X-1,34Z-3)PP	VERMILION	17	13
CONTRACT NO. 70H24				
ILLINOIS FED. AID PROJECT				

19 EXISTING TYPICAL CROSS SECTION

STATION TO STATION
 186+81.78 AH TO 188+46
 LOGAN AVE.
 = 622+89.31



MODEL: Typical-10 (Sheet)
 FILE NAME: c:\p\work\vermilion\illinois.gov\0958952\0570H24_SHT_TYPICAL.dgn

USER NAME = jackson.chen	DESIGNED -	REVISED -
	DRAWN -	REVISED -
	CHECKED -	REVISED -
PLOT DATE = 2/29/2024	DATE -	REVISED -

STATE OF ILLINOIS
 DEPARTMENT OF TRANSPORTATION

EXISTING TYPICAL SECTIONS

SCALE: SHEET 10 OF 10 SHEETS STA. TO STA.

F.A.P. RTE.	SECTION	COUNTY	TOTAL SHEETS	SHEET NO.
729	(36X,36X-1,34Z-3)PP	VERMILION	17	14
CONTRACT NO. 70H24				
ILLINOIS FED. AID PROJECT				

SCHEDULE OF QUANTITIES

APPROX.	DIR	LANE	LENGTH	WIDTH	SQ. YD	TYPICAL	CLASS B PATCHES, TYPE II, 13" (SQ YD)	CLASS B PATCHES TYPE III, 13" (SQ YD)	CLASS B PATCHES TYPE IV, 13" (SQ YD)	DOWEL BARS 1 1/2" (EACH)	SAW CUTS (FT)	TIE BARS 3/4" (EACH)	WELDED WIRE REINFORCEMENT (SQ YD)
STATION	DIR	LANE	LENGTH	WIDTH	SQ. YD	TYPICAL	44201007	44201011	44201013	44201299	44213200	44213204	44200050
LOCATION													
449+50.00	EB	DL	16	12	21.3	11	0.0	21.3	0.0	30.0	52.0	0.0	21.3
451+40.00	EB	RTL	6	13	8.7	11	8.7	0.0	0.0	22.0	57.0	0.0	0.0
452+50.00	EB	DL	60	12	80.0	11	0.0	0.0	80.0	50.0	96.0	20.0	80.0
452+20.00	EB	RTL	6	13	8.7	11	8.7	0.0	0.0	22.0	57.0	0.0	0.0
455+80.00	EB	DL	8	12	10.7	11	10.7	0.0	0.0	20.0	44.0	0.0	0.0
455+80.00	EB	PL	8	12	10.7	11	10.7	0.0	0.0	20.0	44.0	0.0	0.0
458+00.00	WB	DL	40	12	53.3	11	0.0	0.0	53.3	40.0	76.0	13.0	53.3
458+80.00	WB	DL	50	12	66.7	11	0.0	0.0	66.7	50.0	86.0	17.0	66.7
460+10.00	WB	DL	20	12	26.7	11	0.0	0.0	26.7	30.0	56.0	7.0	26.7
460+10.00	WB	PL	6	12	8.0	11	8.0	0.0	0.0	20.0	42.0	0.0	0.0
TOTAL							46.7	21.3	226.7	304.0	610.0	57.0	248.0

MODEL: Schedule-1 [Sheet]
 FILE NAME: c:\p\work\vermilion\illinois.gov\jackson.chen@illinois.gov\0958952\0570H24_SHT_DETAILS.dgn

USER NAME = jackson.chen	DESIGNED -	REVISED -
	DRAWN -	REVISED -
	CHECKED -	REVISED -
PLOT DATE = 3/11/2024	DATE -	REVISED -

**STATE OF ILLINOIS
DEPARTMENT OF TRANSPORTATION**

SCHEDULE OF QUANTITIES

SCALE: SHEET 1 OF 3 SHEETS STA. TO STA.

F.A.P RTE.	SECTION	COUNTY	TOTAL SHEETS	SHEET NO.
729	(36X,36X-1,34Z-3)PP	VERMILION	17	15
CONTRACT NO. 70H24				
ILLINOIS FED. AID PROJECT				

SCHEDULE OF QUANTITIES

APPROX.	STATION	DIR	LANE	LENGTH	WIDTH	SQ. YD	TYPICAL	CLASS B PATCHES,	CLASS B PATCHES	CLASS B PATCHES	DOWEL	SAW CUTS	TIE BARS	WELDED WIRE	
								TYPE II, 14" (SQ YD)	TYPE III, 14" (SQ YD)	TYPE IV, 14" (SQ YD)	BARS 1 1/2" (EACH)	(FT)	3/4" (EACH)	REINFORCEMENT (SQ YD)	
								44201019	44201023	44201025	44201299	44213200	44213204	44200050	
LOCATION															
	425+10.00	EB	DL	40	13	57.8	10	0.0	0.0	57.8	44.0	79.0	13.0	57.8	
	425+30.00	EB	PL	6	13	8.7	10	8.7	0.0	0.0	22.0	45.0	0.0	0.0	
	432+40.00	EB	DL	8	13	11.6	10	11.6	0.0	0.0	22.0	47.0	0.0	0.0	
	432+40.00	EB	PL	8	13	11.6	10	11.6	0.0	0.0	22.0	47.0	0.0	0.0	
	435+40.00	EB	DL	10	13	14.4	10	14.4	0.0	0.0	22.0	49.0	0.0	0.0	
	435+40.00	EB	PL	6	13	8.7	10	8.7	0.0	0.0	22.0	45.0	0.0	0.0	
	439+40.00	EB	DL	10	13	14.4	10	14.4	0.0	0.0	22.0	49.0	0.0	0.0	
	441+40.00	EB	DL	8	13	11.6	10	11.6	0.0	0.0	22.0	47.0	0.0	0.0	
	441+40.00	EB	PL	8	13	11.6	10	11.6	0.0	0.0	22.0	47.0	0.0	0.0	
	461+20.00	EB	DL	8	13	11.6	10	11.6	0.0	0.0	22.0	47.0	0.0	0.0	
	461+20.00	EB	PL	8	13	11.6	10	11.6	0.0	0.0	22.0	47.0	0.0	0.0	
	465+10.00	EB	DL	8	13	11.6	10	11.6	0.0	0.0	22.0	47.0	0.0	0.0	
	465+10.00	EB	PL	8	13	11.6	10	11.6	0.0	0.0	22.0	47.0	0.0	0.0	
	470+80.00	EB	DL	6	13	8.7	10	8.7	0.0	0.0	22.0	45.0	0.0	0.0	
	470+80.00	EB	PL	6	13	8.7	10	8.7	0.0	0.0	22.0	45.0	0.0	0.0	
	471+30.00	EB	DL	8	13	11.6	10	11.6	0.0	0.0	22.0	47.0	0.0	0.0	
	475+30.00	EB	DL	8	13	11.6	10	11.6	0.0	0.0	22.0	47.0	0.0	0.0	
	475+30.00	EB	PL	8	13	11.6	10	11.6	0.0	0.0	22.0	47.0	0.0	0.0	
	477+40.00	EB	DL	8	13	11.6	10	11.6	0.0	0.0	22.0	47.0	0.0	0.0	
	479+30.00	EB	DL	10	13	14.4	10	14.4	0.0	0.0	22.0	49.0	0.0	0.0	
	479+30.00	EB	PL	10	13	14.4	10	14.4	0.0	0.0	22.0	49.0	0.0	0.0	
	480+30.00	EB	DL	12	13	17.3	10	0.0	17.3	0.0	22.0	51.0	0.0	17.3	
	480+30.00	EB	PL	12	13	17.3	10	0.0	17.3	0.0	22.0	51.0	0.0	17.3	
	482+20.00	EB	DL	12	13	17.3	10	0.0	17.3	0.0	22.0	51.0	0.0	17.3	
	482+20.00	EB	PL	12	13	17.3	10	0.0	17.3	0.0	22.0	51.0	0.0	17.3	
	489+20.00	EB	DL	8	13	11.6	10	11.6	0.0	0.0	22.0	47.0	0.0	0.0	
	489+20.00	EB	PL	8	13	11.6	10	11.6	0.0	0.0	22.0	47.0	0.0	0.0	
	499+40.00	EB	DL	50	13	72.2	10	0.0	0.0	72.2	55.0	89.0	17.0	72.2	
	499+50.00	EB	PL	15	13	21.7	10	0.0	21.7	0.0	22.0	54.0	0.0	21.7	
	444+40.00	WB	PL	12	13	17.3	10	0.0	17.3	0.0	22.0	51.0	0.0	17.3	
	475+00.00	WB	DL	10	13	14.4	10	14.4	0.0	0.0	22.0	49.0	0.0	0.0	
	476+10.00	WB	DL	20	13	28.9	10	0.0	0.0	28.9	33.0	59.0	7.0	28.9	
	476+10.00	WB	PL	6	13	8.7	10	8.7	0.0	0.0	22.0	45.0	0.0	0.0	
	478+10.00	WB	DL	10	13	14.4	10	14.4	0.0	0.0	22.0	49.0	0.0	0.0	
	480+10.00	WB	DL	10	13	14.4	10	14.4	0.0	0.0	22.0	49.0	0.0	0.0	
	481+10.00	WB	DL	20	13	28.9	10	0.0	0.0	28.9	33.0	59.0	7.0	28.9	
	481+10.00	WB	PL	6	13	8.7	10	8.7	0.0	0.0	22.0	45.0	0.0	0.0	
	483+10.00	WB	DL	28	13	40.4	10	0.0	0.0	40.4	33.0	67.0	9.0	40.4	
	484+10.00	WB	DL	45	13	65.0	10	0.0	0.0	65.0	44.0	84.0	15.0	65.0	
	485+10.00	WB	DL	12	13	17.3	10	0.0	17.3	0.0	22.0	51.0	0.0	17.3	
	487+90.00	WB	DL	40	13	57.8	10	0.0	0.0	57.8	44.0	79.0	13.0	57.8	
	488+00.00	WB	PL	6	13	8.7	10	8.7	0.0	0.0	22.0	45.0	0.0	0.0	
	493+90.00	WB	DL	10	13	14.4	10	14.4	0.0	0.0	22.0	49.0	0.0	0.0	
	493+90.00	WB	PL	6	13	8.7	10	8.7	0.0	0.0	22.0	45.0	0.0	0.0	
	502+20.00	WB	DL	6	13	8.7	10	8.7	0.0	0.0	22.0	45.0	0.0	0.0	
	502+20.00	WB	PL	6	13	8.7	10	8.7	0.0	0.0	22.0	45.0	0.0	0.0	
	503+20.00	WB	DL	6	13	8.7	10	8.7	0.0	0.0	22.0	45.0	0.0	0.0	
	TOTAL							372.7	125.7	351.0	1166.0	2421.0	81.0	476.7	

MODEL: Schedule-2 [Sheet]
 FILE NAME: c:\p\work\illinois.gov\0958952\0570H24_SHT_DETAILS.dgn

USER NAME = jackson.chen	DESIGNED -	REVISED -
	DRAWN -	REVISED -
	CHECKED -	REVISED -
PLOT DATE = 3/11/2024	DATE -	REVISED -

**STATE OF ILLINOIS
DEPARTMENT OF TRANSPORTATION**

SCHEDULE OF QUANTITIES

SCALE: SHEET 2 OF 3 SHEETS STA. TO STA.

F.A.P. RTE.	SECTION	COUNTY	TOTAL SHEETS	SHEET NO.
729	(36X,36X-1,34Z-3)PP	VERMILION	17	16
CONTRACT NO. 70H24				
ILLINOIS FED. AID PROJECT				

SCHEDULE OF QUANTITIES

APPROX.	STATION	DIR	LANE	LENGTH	WID ^H	SQ. YD	TYPICAL	CLASS B PATCHES,	CLASS B PATCHES	CLASS B PATCHES	DOWEL	SAW CUTS	TIE BARS	WELDED WIRE
								TYPE II, 14" (SQ YD)	TYPE III, 14" (SQ YD)	TYPE IV, 14" (SQ YD)	BARS 1 1/2" (EACH)	(FT)	3/4" (EACH)	REINFORCEMENT (SQ YD)
								44201019	44201023	44201025	44201299	44213200	44213204	44200050
	506+40.00	EB	DL	8	13	11.6	10	11.6	0.0	0.0	22.0	47.0	0.0	0.0
	506+40.00	EB	PL	8	13	11.6	10	11.6	0.0	0.0	22.0	47.0	0.0	0.0
	509+50.00	EB	DL	8	13	11.6	10	11.6	0.0	0.0	22.0	47.0	0.0	0.0
	509+50.00	EB	PL	8	13	11.6	10	11.6	0.0	0.0	22.0	47.0	0.0	0.0
	532+80.00	EB	DL	8	13	11.6	10	11.6	0.0	0.0	22.0	47.0	0.0	0.0
	532+80.00	EB	PL	8	13	11.6	10	11.6	0.0	0.0	22.0	47.0	0.0	0.0
	543+00.00	EB	DL	10	13	14.4	10	14.4	0.0	0.0	22.0	49.0	0.0	0.0
	556+00.00	EB	DL	8	13	11.6	10	11.6	0.0	0.0	22.0	47.0	0.0	0.0
	556+00.00	EB	PL	6	13	8.7	10	8.7	0.0	0.0	22.0	45.0	0.0	0.0
	565+80.00	FR	DI	8	13	11.6	10	11.6	0.0	0.0	22.0	47.0	0.0	0.0
	565+80.00	EB	PL	8	13	11.6	10	11.6	0.0	0.0	22.0	47.0	0.0	0.0
	568+80.00	EB	DL	6	13	8.7	10	8.7	0.0	0.0	22.0	45.0	0.0	0.0
	568+80.00	EB	PL	6	13	8.7	10	8.7	0.0	0.0	22.0	45.0	0.0	0.0
	569+20.00	EB	DL	30	13	43.3	10	0.0	0.0	43.3	33.0	69.0	10.0	43.3
	599+80.00	EB	DL	12	14	18.7	17	0.0	18.7	0.0	24.0	78.0	0.0	18.7
	599+80.00	EB	PL	12	12	16.0	17	0.0	16.0	0.0	20.0	0.0	0.0	16.0
	600+80.00	EB	DL	6	14	9.3	17	9.3	0.0	0.0	24.0	60.0	0.0	0.0
	600+80.00	EB	PL	6	12	8.0	17	8.0	0.0	0.0	20.0	0.0	0.0	0.0
	601+80.00	EB	PL	6	12	8.0	17	8.0	0.0	0.0	20.0	0.0	0.0	0.0
	602+00.00	EB	DL	80	14	124.4	17	0.0	0.0	124.4	84.0	282.0	53.0	124.4
	602+80.00	EB	DL	15	14	23.3	17	0.0	23.3	0.0	24.0	87.0	0.0	23.3
	602+80.00	EB	PL	8	12	10.7	17	10.7	0.0	0.0	20.0	0.0	0.0	0.0
	604+10.00	EB	DL	140	14	217.8	17	0.0	0.0	217.8	132.0	462.0	93.0	217.8
	605+70.00	EB	DL	8	14	12.4	17	12.4	0.0	0.0	24.0	66.0	0.0	0.0
	605+70.00	EB	PL	6	12	8.0	17	8.0	0.0	0.0	20.0	0.0	0.0	0.0
	607+80.00	EB	DL	6	14	9.3	17	9.3	0.0	0.0	24.0	60.0	0.0	0.0
	607+80.00	EB	PL	6	12	8.0	17	8.0	0.0	0.0	20.0	0.0	0.0	0.0
	609+30.00	EB	DL	105	14	163.3	17	0.0	0.0	163.3	96.0	357.0	70.0	163.3
	610+50.00	EB	DL	90	14	140.0	17	0.0	0.0	140.0	84.0	312.0	60.0	140.0
	612+50.00	EB	DL	6	14	9.3	17	9.3	0.0	0.0	24.0	60.0	0.0	0.0
	612+50.00	EB	PL	6	12	8.0	17	8.0	0.0	0.0	20.0	0.0	0.0	0.0
	612+90.00	EB	DL	25	14	38.9	17	0.0	0.0	38.9	36.0	117.0	17.0	38.9
	503+20.00	WB	PL	6	13	8.7	10	8.7	0.0	0.0	22.0	45.0	0.0	0.0
	510+20.00	WB	DL	8	13	11.6	10	11.6	0.0	0.0	22.0	47.0	0.0	0.0
	510+20.00	WB	PL	8	13	11.6	10	11.6	0.0	0.0	22.0	47.0	0.0	0.0
	513+20.00	WB	DL	10	13	14.4	10	14.4	0.0	0.0	22.0	49.0	0.0	0.0
	513+20.00	WB	PL	6	13	8.7	10	8.7	0.0	0.0	22.0	45.0	0.0	0.0
	518+40.00	WB	PL	6	13	8.7	12	8.7	0.0	0.0	22.0	45.0	0.0	0.0
	518+50.00	WB	DL	15	12	20.0	12	0.0	20.0	0.0	20.0	81.0	0.0	20.0
	561+00.00	WB	DL	6	13	8.7	10	8.7	0.0	0.0	22.0	45.0	0.0	0.0
	561+00.00	WB	PL	6	13	8.7	10	8.7	0.0	0.0	22.0	45.0	0.0	0.0
	568+80.00	WB	PL	10	13	14.4	10	14.4	0.0	0.0	22.0	49.0	0.0	0.0
	594+20.00	WB	DL	100	12	133.3	15	0.0	0.0	133.3	80.0	336.0	67.0	133.3
	599+80.00	WB	PL	12	12	16.0	17	0.0	16.0	0.0	20.0	0.0	0.0	16.0
	600+50.00	WB	DL	225	14	350.0	17	0.0	0.0	350.0	192.0	717.0	150.0	350.0
	602+70.00	WB	DL	50	14	77.8	17	0.0	0.0	77.8	60.0	192.0	33.0	77.8
	604+00.00	WB	DL	110	14	171.1	17	0.0	0.0	171.1	108.0	372.0	73.0	171.1
	605+00.00	WB	DL	8	14	12.4	17	12.4	0.0	0.0	24.0	66.0	0.0	0.0
	606+10.00	WB	DL	110	14	171.1	17	0.0	0.0	171.1	108.0	372.0	73.0	171.1
	610+40.00	WB	DL	80	14	124.4	17	0.0	0.0	124.4	84.0	282.0	53.0	124.4
	611+60.00	WB	DL	95	14	147.8	17	0.0	0.0	147.8	96.0	327.0	63.0	147.8
	612+50.00	WB	DL	6	14	9.3	17	9.3	0.0	0.0	24.0	60.0	0.0	0.0
	612+50.00	WB	PL	6	12	8.0	17	8.0	0.0	0.0	20.0	0.0	0.0	0.0
	TOTAL							360.7	94.0	1903.3	2069.0	5839.0	815.0	1997.3

MODEL: Schedule-3 (Sheet)
 FILE NAME: c:\pwworking\illinois.gov\0958952\0570H24_SHT_DETAILS.dgn

USER NAME = jackson.chen	DESIGNED -	REVISED -
	DRAWN -	REVISED -
	CHECKED -	REVISED -
PLOT DATE = 3/11/2024	DATE -	REVISED -

**STATE OF ILLINOIS
DEPARTMENT OF TRANSPORTATION**

SCHEDULE OF QUANTITIES

SCALE: SHEET 3 OF 3 SHEETS STA. TO STA.

F.A.P RTE.	SECTION	COUNTY	TOTAL SHEETS	SHEET NO.
729	(36X,36X-1,34Z-3)PP	VERMILION	17	17
CONTRACT NO. 70H24				
ILLINOIS FED. AID PROJECT				