



Structure Number: 016-0194 District: 1 Date: 02/21/2014
 Carried/Crossed: IL-1/CSXT RR Proposed Year of Improvement: 2014
 Inspection Date: 07/17/2013 Inspector(s): WAB Reviewed by: BKR/WAB

Initial NBIS Ratings				Recommended NBIS Ratings			
58	59	60	62	58	59	60	62
5	5	3	-	5	5	3	-

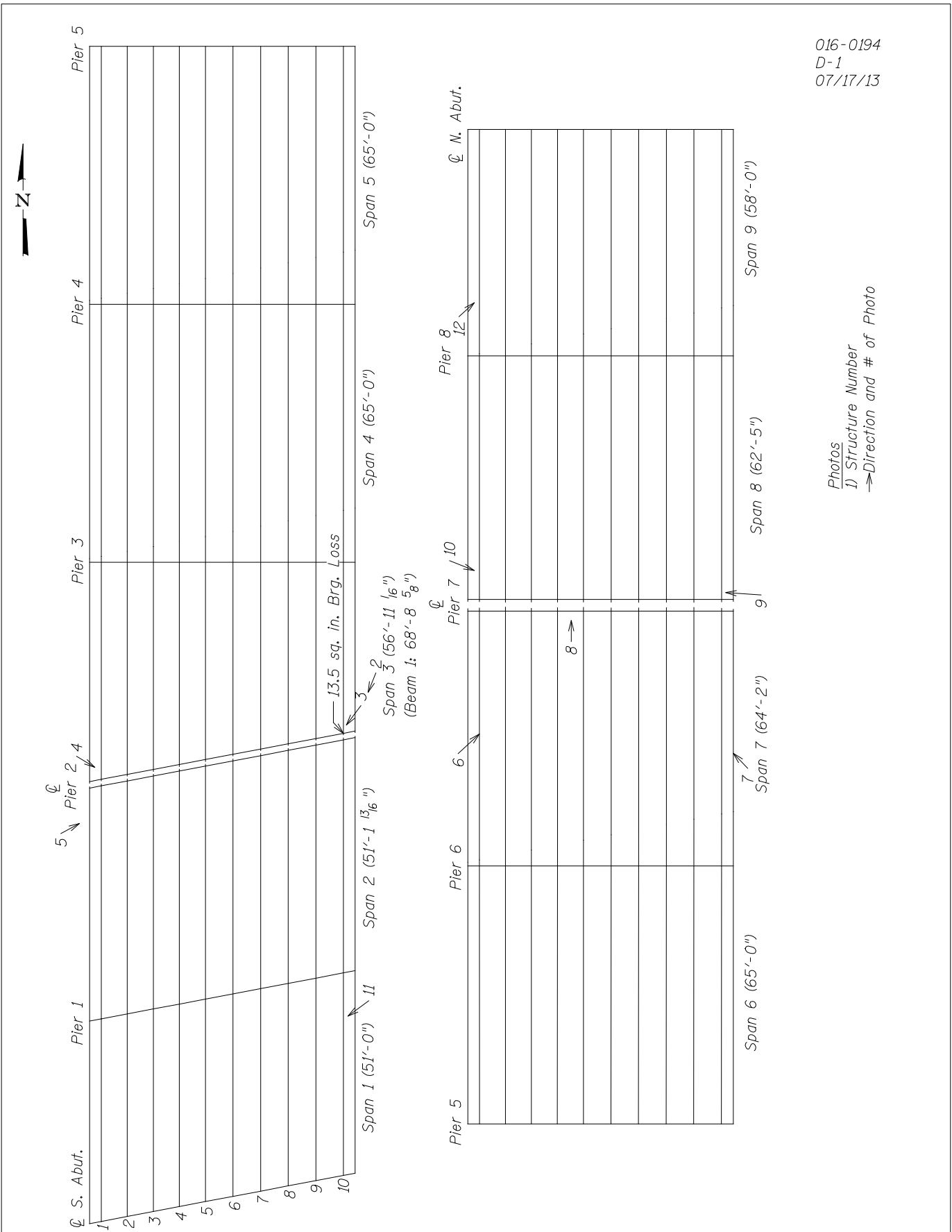
Remarks: 9 Span (2 Span Continuous; 5 Span Continuous; 2 Span Continuous) WF Girders. Beam 10 on North side of Pier 2 has a bearing section loss of 13.5 sq. in. due to the bearing overhanging concrete step. Piers 2 and 7 have spalling throughout their stems with some delamination in columns. Both abutments have vertical cracking.

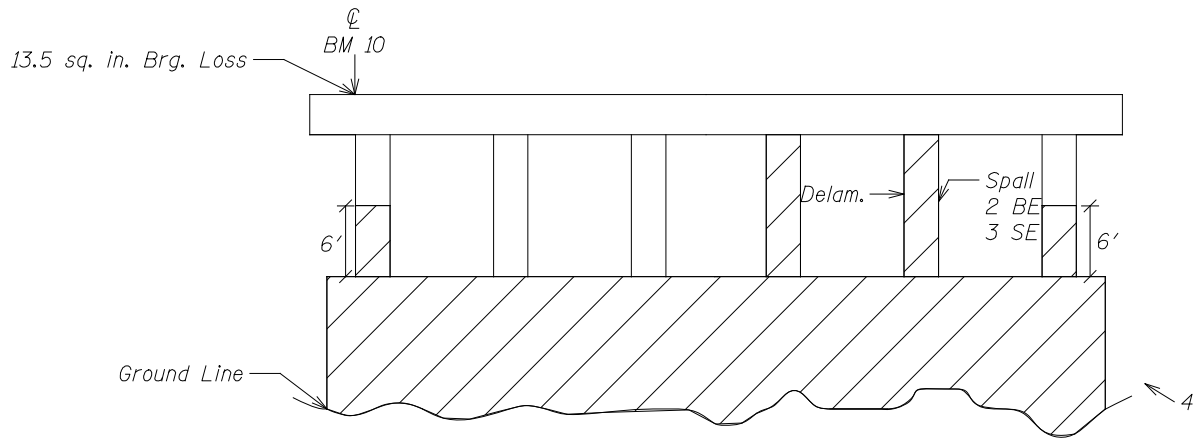
Forwarded to: SMS Date: _____

Additional Comments:

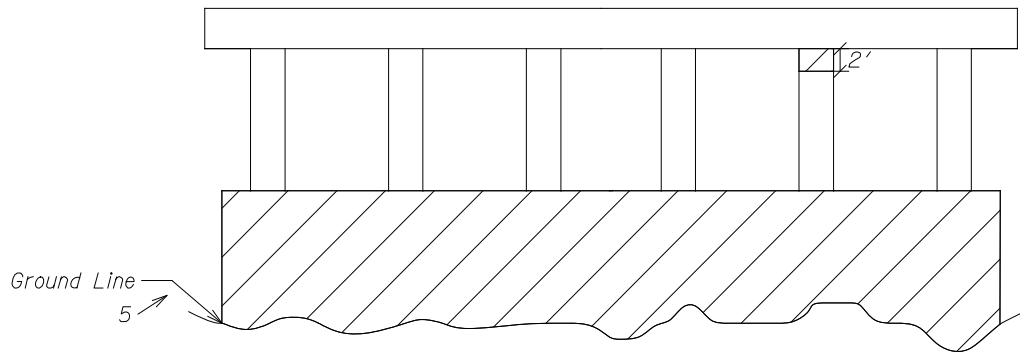
016-0194
 D-1
 07/17/13

Photos
 1) Structure Number
 → Direction and # of Photo

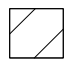





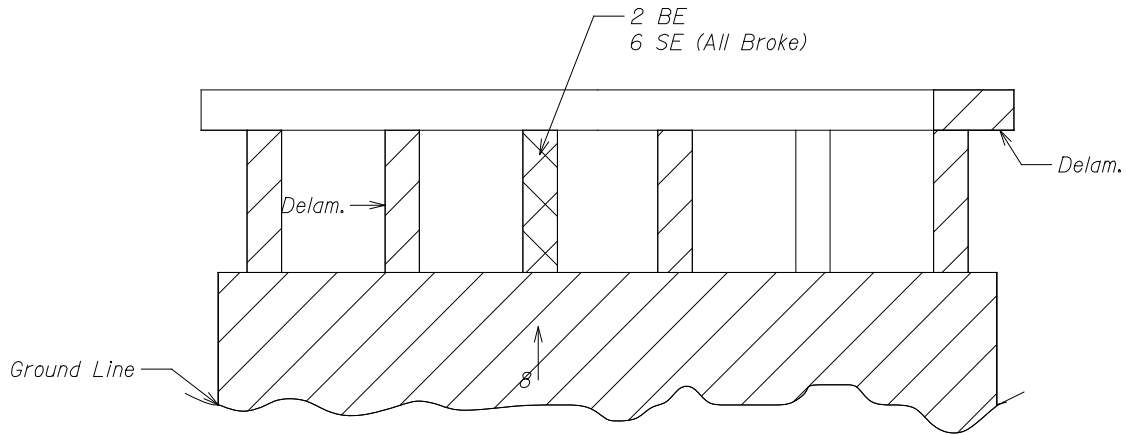
Pier 2
(Looking South)



Pier 2
(Looking North)

-  Delamination/Scattered Spall
-  Spalling with Stirrups Exposed (SE) and/or Bars Exposed (BE)

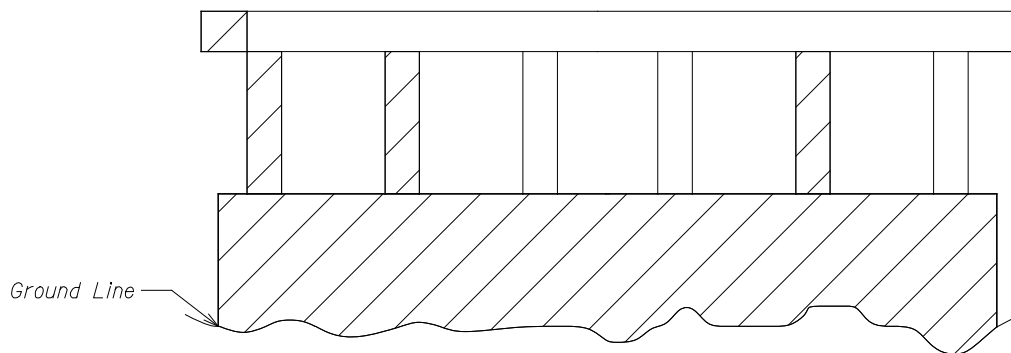
016-0194
D-1
07/17/13



Pier 7
(Looking North)

6 ↗

↖ 7



Pier 7
(Looking South)

9 ↗

↖ 10

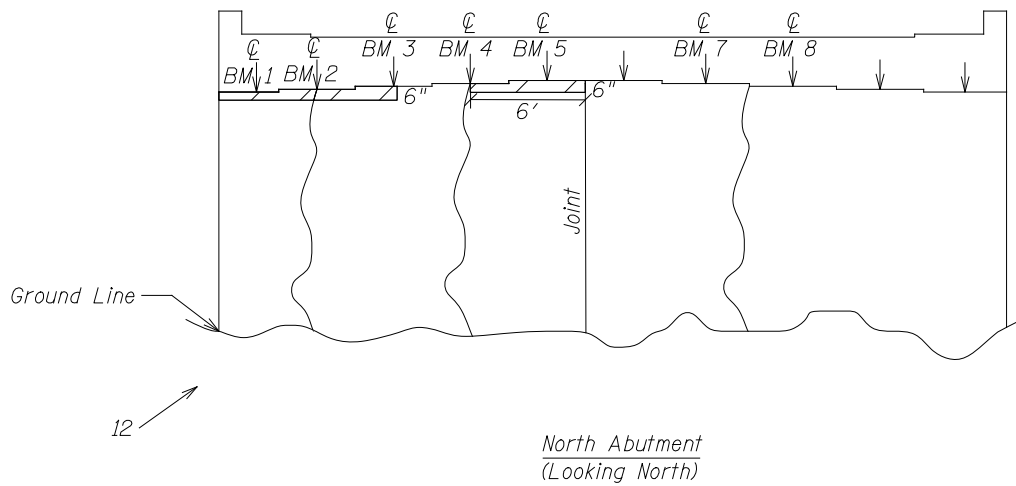
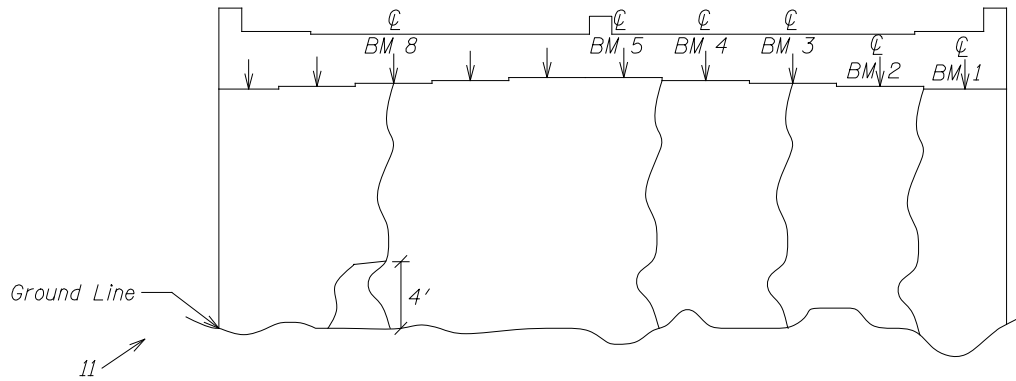




PHOTO 1



PHOTO 2



PHOTO 3



PHOTO 4



PHOTO 5



PHOTO 6



PHOTO 7



PHOTO 8



PHOTO 9



PHOTO 10



PHOTO 11



PHOTO 12