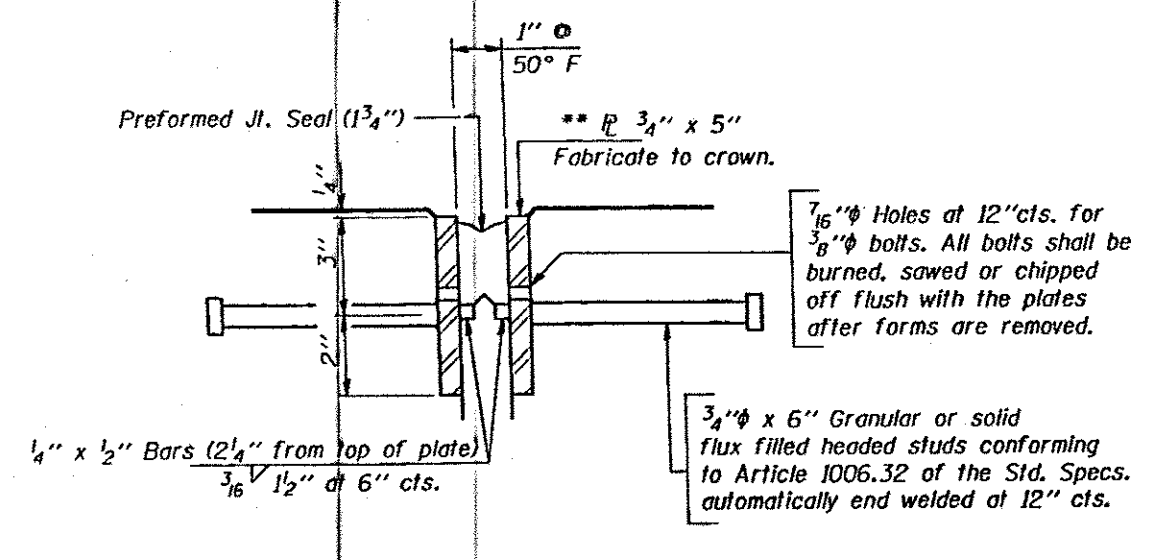
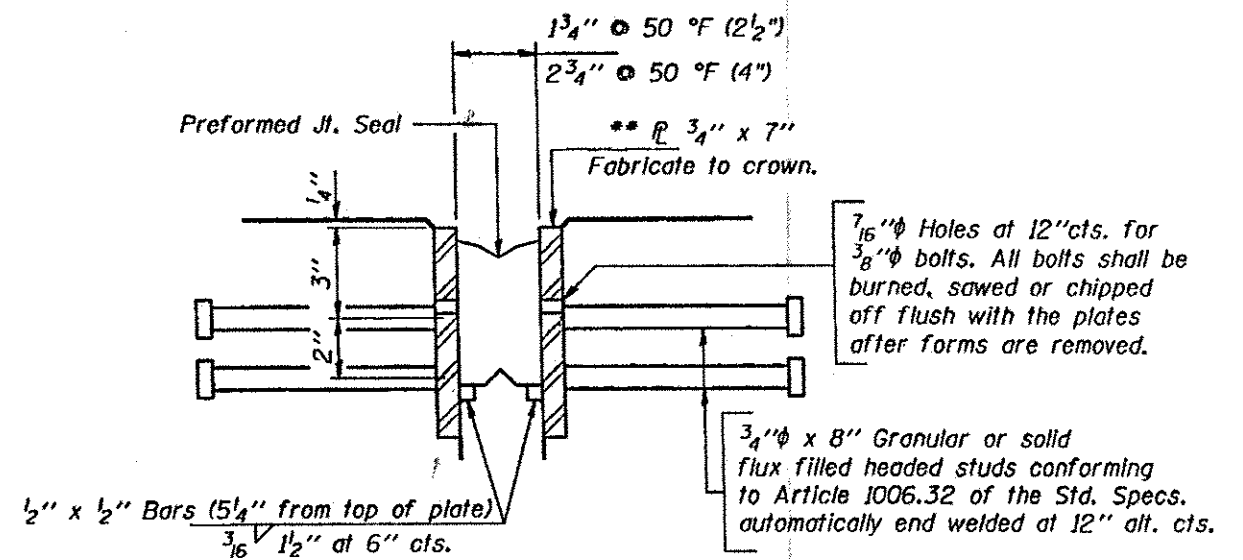


F.A.#	SECTION	COUNTY	STATION	SHEET
3523	12891	COOK	2.2	11
STA.	TO STA.			
FED. ROAD DIST. NO.	BLK.	FED. RD. PROJECT		

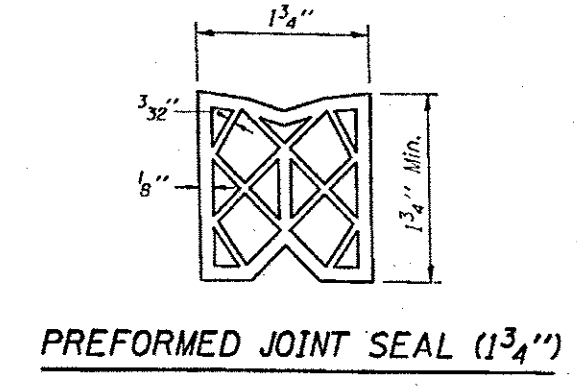
Sheet 6 of 9



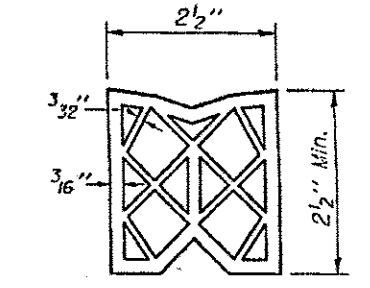
1 3/4" PREFORMED JOINT SEAL



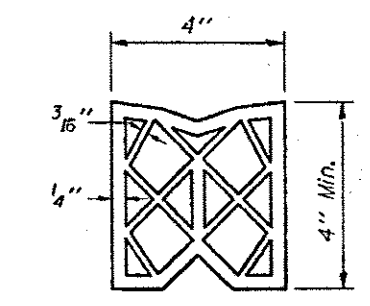
2 1/2" and 4" PREFORMED JOINT SEAL



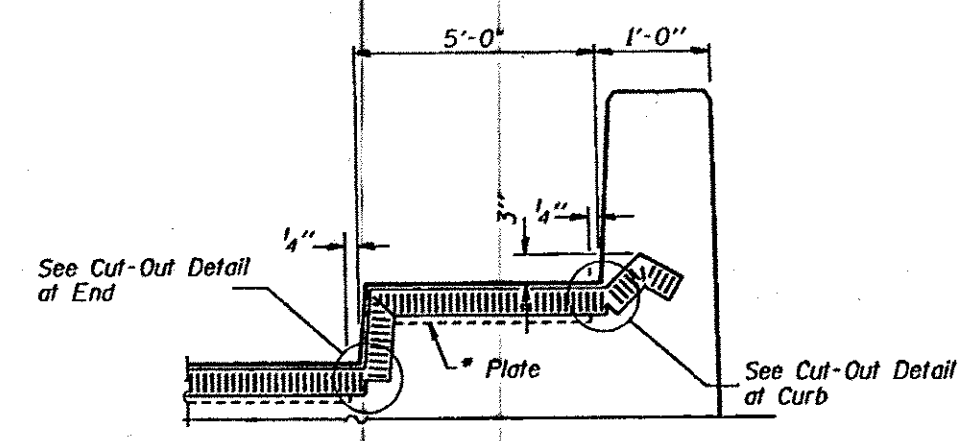
PREFORMED JOINT SEAL (1 3/4")



PREFORMED JOINT SEAL (2 1/2")

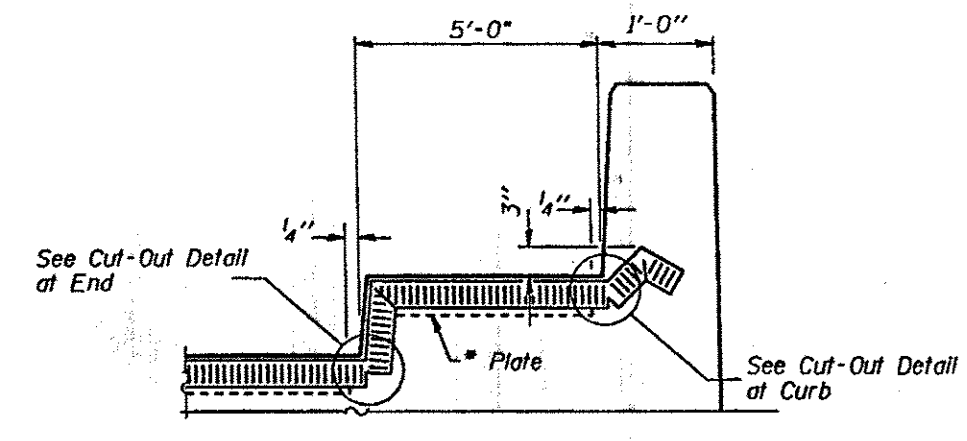


PREFORMED JOINT SEAL (4")



TYPICAL END OF SEAL TREATMENT

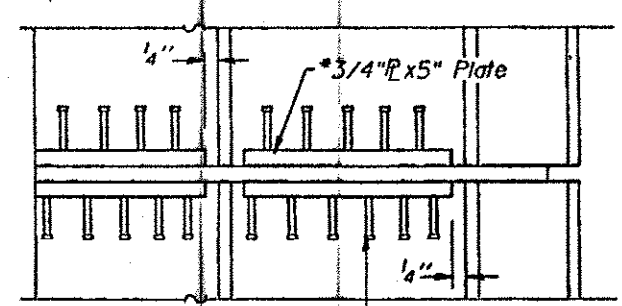
*Cut retainer bars in sidewalk 6" short of curb face



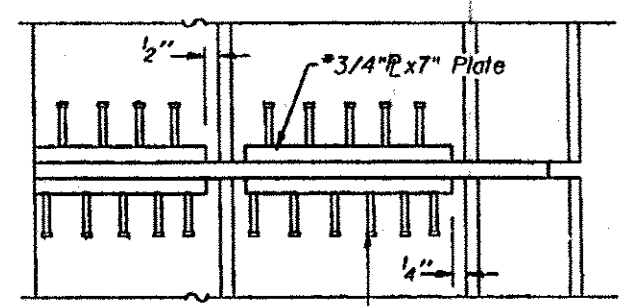
TYPICAL END OF SEAL TREATMENT

*Cut retainer bars in sidewalk 6" short of curb face

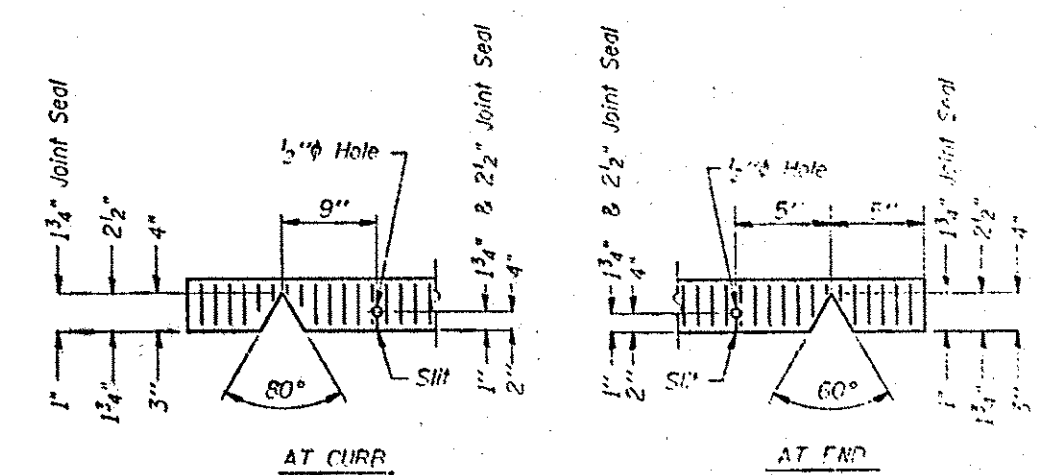
NOTES:
 ** Furnish in segments of 20 ft. maximum length. Maximum space between installed segments shall be 3/16". Seal space with Silicone Sealant suitable for Structural Steel.
 After fabrication all surface of the steel plates shall be given one shop coat of paint specified for structural steel. No field painting required.



PLAN



PLAN



SEAL CUT-OUT DETAIL

REVISIONS	
NAME	DATE

ILLINOIS DEPARTMENT OF TRANSPORTATION
 RAND ROAD
 OVER DES PLAINES RIVER
 SN 016-0362
 SCALE: 50'=1"
 DATE: 01/27/98
 DRAWN BY: CADD
 CHECKED BY: TMS

Tue Jan 27 13:40:46 1998
 C:\projects\struct\televec\m32 LWI-63

