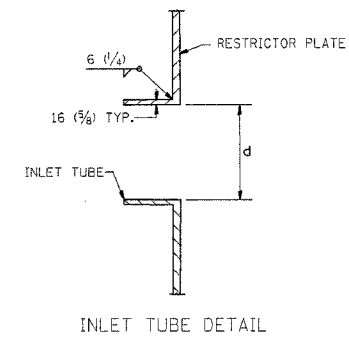
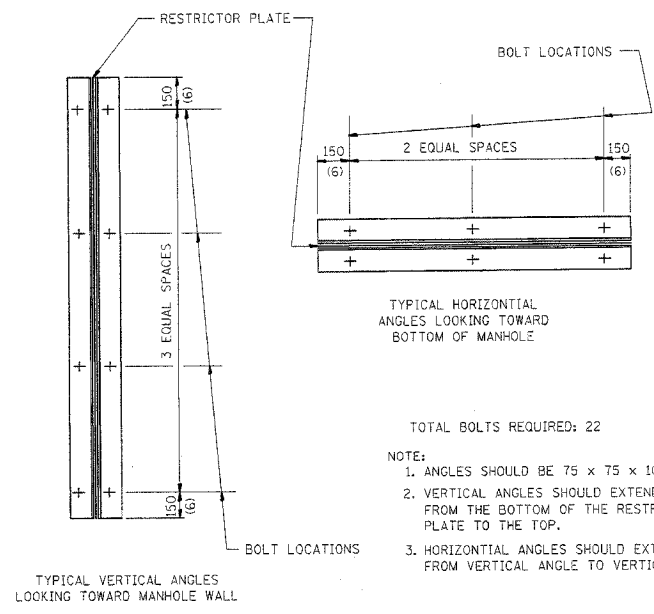


- NOTES:
1. ALL STEEL ANGLES AND PLATES TO BE GALVANIZED AFTER FABRICATION.
 2. ALL RESTRICTOR PLATES, ANGLES AND HARDWARE TO BE INCLUDED IN THE COST OF THE MANHOLE.
 3. BASIS OF PAYMENT: "MANHOLES, TYPE A, 1.8m (6FT) DIAMETER, TYPE 1 FRAME, CLOSED LID, RESTRICTOR PLATE" EACH



STATION	MANHOLE DIAMETER	FRAME AND GRATE	RESTRICTOR TYPE	INSIDE RESTRICTOR TYPE DIAMETER mm (in.) (d)	INVERT OF RESTRICTOR TYPE	ELEVATION OF TOP OF PLATE OVERFLOW
14+00	5' DIA.	T1 CL	PLATE	12 INCH.	702.42	704.25



- TOTAL BOLTS REQUIRED: 22
- NOTE:
1. ANGLES SHOULD BE 75 x 75 x 10 (3x3x3/8)
 2. VERTICAL ANGLES SHOULD EXTEND FROM THE BOTTOM OF THE RESTRICTOR PLATE TO THE TOP.
 3. HORIZONTAL ANGLES SHOULD EXTEND FROM VERTICAL ANGLE TO VERTICAL ANGLE.

RESTRICTOR TYPE					
1	2	3	4	5	6
RE-ENTRANT TUBE	SHARP EDGED	SQUARE EDGED	RE-ENTRANT TUBE	SQUARE EDGED	ROUNDED
LENGTH: 1/2 TO 1 DIA.		STREAM CLEARS SIDES	LENGTH: 2-1/2 DIA.	LENGTH: 2-1/2 DIA.	
C=.52	C=.61	C=.61	C=.73	C=.82	C=.98

VALUES OF "C" FOR CIRCULAR AND SQUARE ORIFICES

ALL DIMENSIONS ARE IN MILLIMETERS (INCHES) UNLESS OTHERWISE SHOWN.

REVISIONS	
NAME	DATE
R. SHAH	09/09/94
R. SHAH	10/25/94
E. GOMEZ	08/28/00
M. GOMEZ	01/08/01

ILLINOIS DEPARTMENT OF TRANSPORTATION

MANHOLE WITH RESTRICTOR PLATE

SCALE: VERT. DATE: 5/2/2007

DRAWN BY CHECKED BY

BD600-04 (BD-12)

REVISION DATE: 01/08/01

PLOT DATE = 5/2/2007
 FILE NAME = \\sustin\fs2\users\gibbons\Desktop\bd600-04.dgn
 PLOT NAME = BD600-04
 USER NAME = gibbons