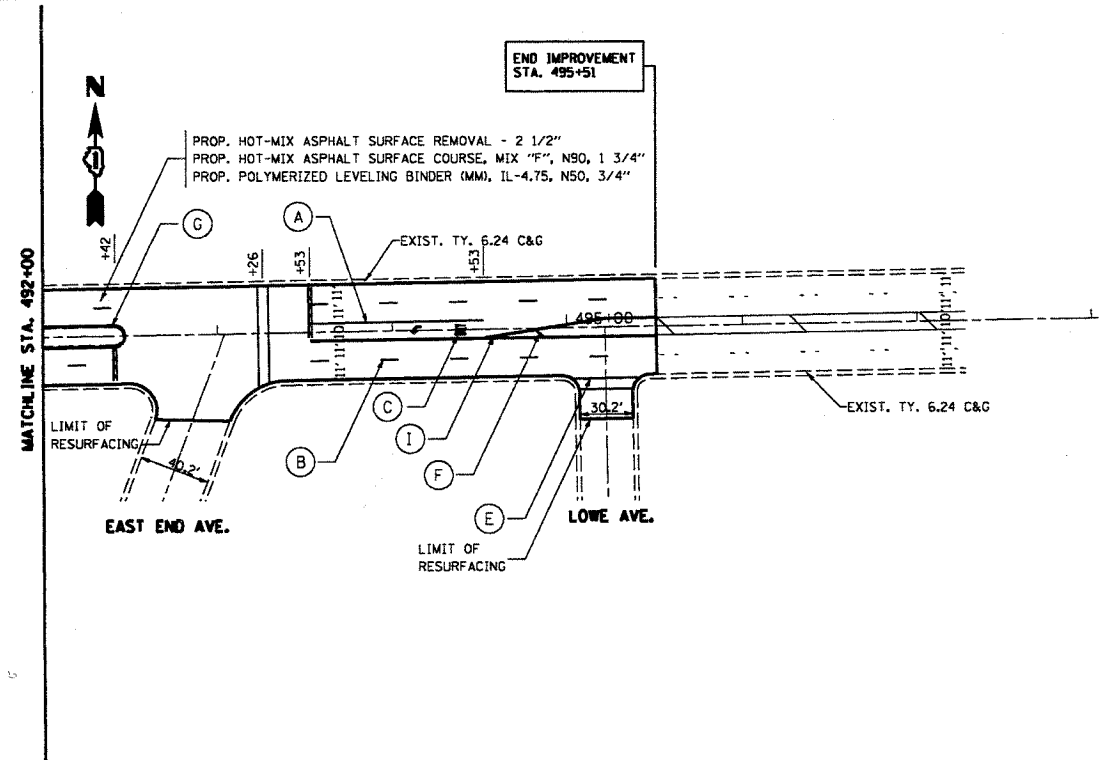


F.A.P. RTE.	SECTION	COUNTY	TOTAL SHEETS	SHEET NO.
350	42RS	COOK	31	12
STA. 492+00		TO STA. 497+28		
FED. ROAD DIST. NO.	ILLINOIS	FED. AID PROJECT		



- (A) 6" WHITE - TURN LANE LINE (TYP.)
- (B) 4" WHITE - SKIP-DASH CENTERLINE (TYP.) (10' LINE/30' SPACE)
- (C) 8" WHITE - LETTERS & SYMBOLS (TYP.) (LEFT TURN ONLY, RIGHT TURN ONLY)
- (D) 24" SOLID WHITE - STOP & TRANSVERSE LINES (TYP.)
- (E) 6" WHITE - CROSSWALK LINE (TYP.) (2 @ 6' C-C)
- (F) 12" YELLOW - 45° DIAGONAL (75' C-C OR MINIMUM OF 5)
- (G) 4" YELLOW - MEDIAN EDGE LINE (TYP.)
- (H) 24" TRANSVERSE LINE - RAILROAD CROSSING (TYP.) 6' LETTERS FOR "RR"; 16" LINE FOR "X"
- (I) 4" YELLOW - DOUBLE YELLOW PAINTED MEDIAN (TYP.) (2 @ 11" C-C)
- (J) 6" WHITE - DOTTED LINE (TYP.) (2' LINE/6' SPACE)
- (K) 8" WHITE - SOLID LINE
- (L) 12" WHITE - CHEVRON LINE (2 @ 11" C-C)
- (M) 6" WHITE - DOTTED LINE (TYP.) (3' LINE/12' SPACE)
- (N) 4" YELLOW - TRANSVERSE MARKING

PLOT DATE: 12/28/2006
 FILE NAME: c:\puro\puro\111806\design\design.dwg
 PLOT SCALE: 1/8" = 1' / IN.
 USER NAME: qureshiya

REVISIONS	
NAME	DATE

ILLINOIS DEPARTMENT OF TRANSPORTATION

ROADWAY PLAN
U.S. ROUTE 30
(WESTERN AVE. TO 0.5 MI EAST OF ILL. 1)

SCALE: VERT. 1"=50'
 HORIZ. DATE 12/28/2006

DRAWN BY
 CHECKED BY