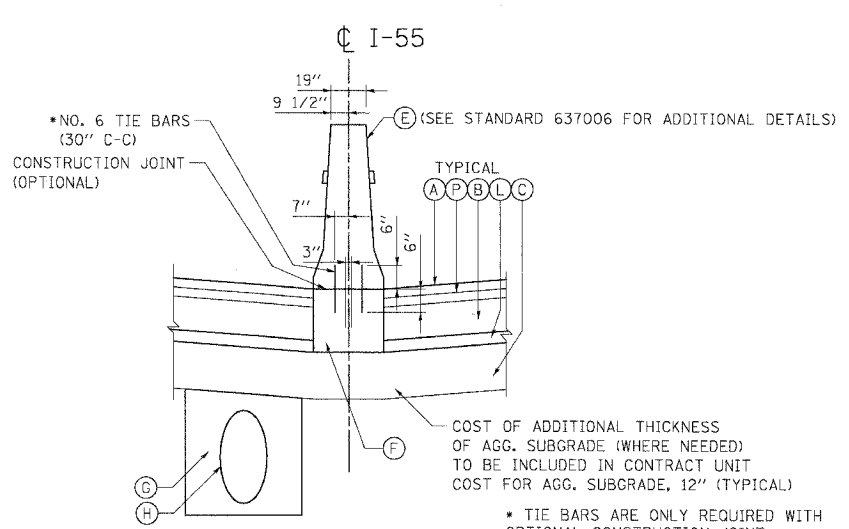
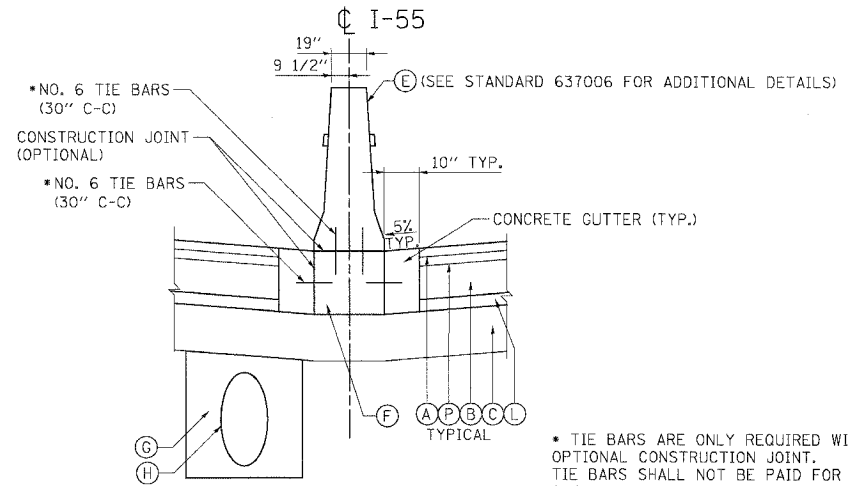


| F.A.I. RTE. | SECTION | COUNTY | TOTAL SHEETS | SHEET NO. |
|--------------|----------------|---|--------------|-----------|
| 55 | 99 (1&2) WRS-2 | WILL. | 228 | 9 |
| STA. TO STA. | | FED. ROAD DIST. NO. ILLINOIS FED. AID PROJECT | | |

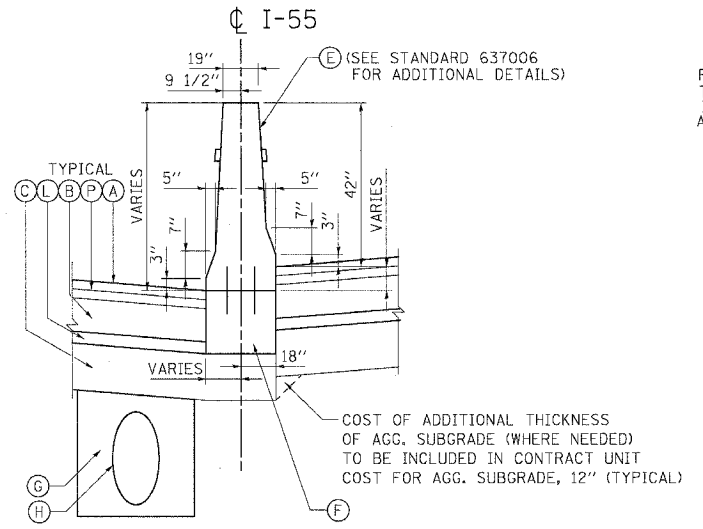


MEDIAN DETAIL A
TYPICAL CONCRETE BARRIER AND BASE

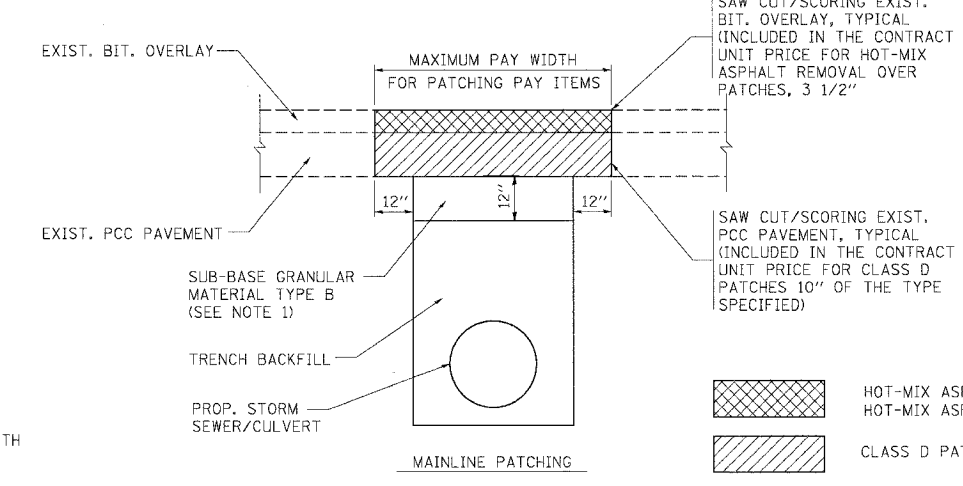


MEDIAN DETAIL B
MEDIAN BARRIER W/ CONCRETE GUTTER

STA. 402+65.07 TO STA. 418+00.00 (MAINLINE SB & NB)
 STA. 470+40.00 TO STA. 491+42.75 (MAINLINE SB & NB)
 STA. 492+49.25 TO STA. 511+00.00 (MAINLINE SB & NB)



MEDIAN DETAIL C
VARIABLE HEIGHT



PAVEMENT PATCHING FOR STORM SEWER LATERAL OUTLETS

NOTES:
 1. SUB-BASE GRANULAR MATERIAL, TYPE B SHALL BE CONSTRUCTED IN ACCORDANCE WITH ARTICLES 311.02, 311.03, AND 311.05 OF THE STANDARD SPECIFICATIONS. THIS WORK WILL BE MEASURED AND PAID FOR AS TRENCH BACKFILL IN ACCORDANCE WITH ARTICLES 208.03 AND 208.04 OF THE STANDARD SPECIFICATIONS.

- HOT-MIX ASPHALT REMOVAL OVER PATCHES, 3 1/2"
- HOT-MIX ASPHALT REPLACEMENT OVER PATCHES
- CLASS D PATCHES 10 OF THE TYPE SPECIFIED

EXISTING LEGEND

- ① P.C.C. PAVEMENT, 10"
- ② BITUMINOUS RESURFACING 7"
- ③ BITUMINOUS SHOULDER 10"
- ④ AGGREGATE SHOULDER
- ⑤ HOT-MIX ASPHALT SURFACE REMOVAL, 3 1/2"
- ⑥ NOT USED
- ⑦ HOT-MIX ASPHALT SURFACE REMOVAL, VARIABLE DEPTH
- ⑧ POLYMERIZED BITUMINOUS CONCRETE SURFACE COURSE, SUPERPAVE, IL-19, N90 2"
- ⑨ BITUMINOUS CONCRETE BINDER COURSE, SUPERPAVE, IL-19, N90, 15"
- ⑩ BITUMINOUS SHOULDERS, SUPERPAVE, 17"
- ⑪ STABILIZED SUB-BASE 4"
- ⑫ PIPE UNDERDRAINS 6"
- ⑬ AGGREGATE SUBGRADE 12"
- ⑭ NOT USED
- ⑮ BITUMINOUS SHOULDER
- ⑯ SPBGR (SEE PLANS FOR LOCATIONS)

PROPOSED LEGEND

- (A) POLYMERIZED HOT-MIX ASPHALT SURFACE COURSE, STONE MATRIX ASPHALT, N80; 1 3/4"
- (B) HOT-MIX ASPHALT BASE COURSE, 8"
- (C) AGGREGATE SUBGRADE, 12"
- (D) EMBANKMENT
- (E) CONCRETE BARRIER, DOUBLE FACE, 42" HEIGHT
- (F) BARRIER BASE
- (G) TRENCH BACKFILL
- (H) STORM SEWER
- (I) STRIP REFLECTIVE CRACK CONTROL TREATMENT
- (J) TOPSOIL FURNISH AND PLACE, 6"
- (K) SEEDING, CLASS 2A
- (L) HOT-MIX ASPHALT BASE COURSE, 2 1/2"
- (M) NOT USED
- (N) NOT USED
- (O) AGGREGATE SHOULDERS, TYPE B, 8"
- (P) POLYMERIZED HOT-MIX ASPHALT BINDER COURSE, STONE MATRIX ASPHALT, N80; 1 3/4"
- (Q) PIPE UNDERDRAINS 6" (SEE DRAINAGE PLANS FOR LOCATIONS)
- (R) NOT USED
- (S) HOT-MIX ASPHALT SURFACE COURSE, MIX "D", N 70; 1 3/4"
- (T) AGGREGATE SHOULDERS, TYPE B (SPECIAL)
- (U) SHOULDER RUMBLE STRIP

NOTES:

- 1) THE UNIT WEIGHT USED TO CALCULATE THE PLAN QUANTITY FOR STONE MATRIX ASPHALT SURFACE COURSE IS 135 LBS/SQ YD/INCH THICKNESS.
- 2) THE UNIT WEIGHT USED TO CALCULATE ALL HOT-MIX ASPHALT SURFACE MIXTURE QUANTITIES IS 112 LBS/SQ YD/INCH THICKNESS.

| REVISIONS | |
|-----------|------|
| NAME | DATE |
| | |
| | |
| | |
| | |

ILLINOIS DEPARTMENT OF TRANSPORTATION
 FAI ROUTE 55 (BLACK ROAD TO U.S. 30)
 WIDENING AND RESURFACING

**TYPICAL SECTIONS
 DETAILS AND BITUMINOUS
 MIXTURE REQUIREMENTS**

SCALE: N.T.S. DRAWN BY JFS
 DATE 02/23/07 CHECKED BY DDH

TENG TENG & ASSOCIATES, INC.
 ENGINEERS/ARCHITECTS/PLANNERS
 CHICAGO, ILLINOIS

PLOT DATE = 02/23/07
 FILE NAME = 022307.DWG
 PLOT SCALE = 1/8"=1'-0"
 USER NAME = JFS