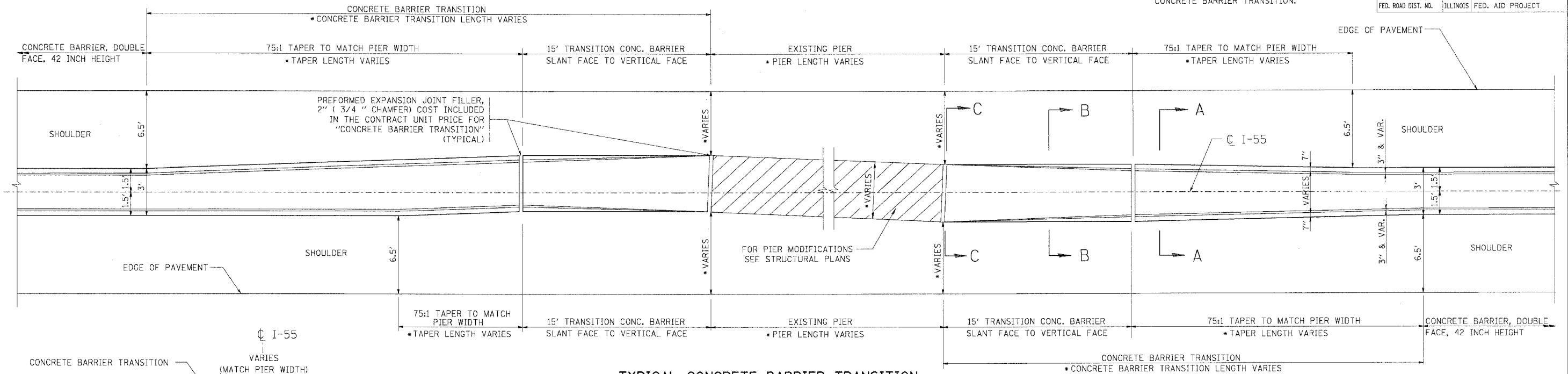


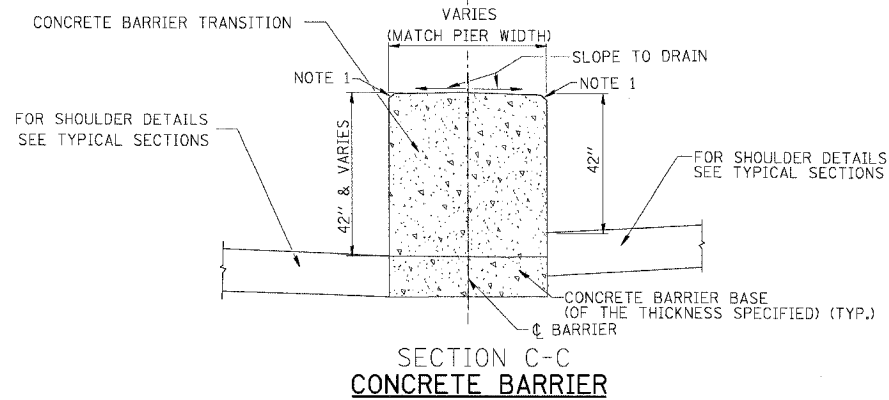
F.A.I. RTE.	SECTION	COUNTY	TOTAL SHEETS	SHEET NO.
55	99 (1&2) WRS-2	WILL	228	53
STA.		TO STA.		
FED. ROAD DIST. NO.		ILLINOIS	FED. AID PROJECT	

GENERAL NOTES - PREFORMED JOINT FILLER SHALL BE INCLUDED IN THE CONTRACT UNIT PRICE FOR CONCRETE BARRIER TRANSITION.

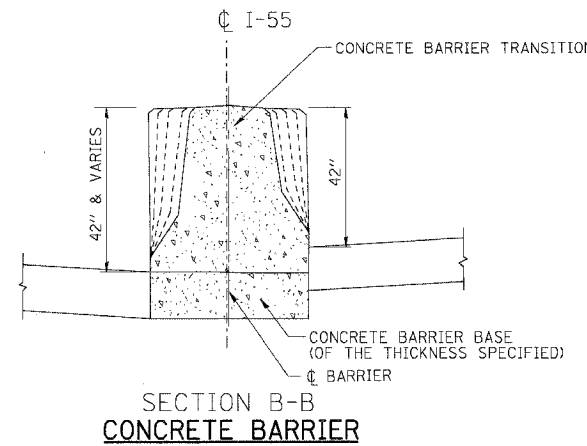
FOR VARIES LOCATIONS AND DIMENSIONS SEE ROADWAY PLANS



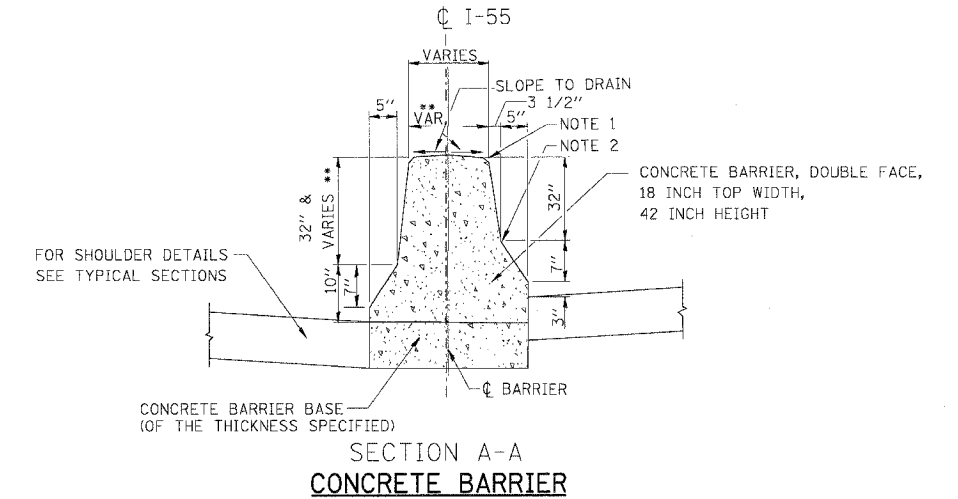
TYPICAL CONCRETE BARRIER TRANSITION
PLAN VIEW



SECTION C-C
CONCRETE BARRIER



SECTION B-B
CONCRETE BARRIER



SECTION A-A
CONCRETE BARRIER

NOTE 1 - 3/4" CHAMFER OR 1" RADIUS (OPTIONAL)
NOTE 2 - 10" RADIUS (OPTIONAL)

** MAINTAIN SLOPE OF FACE AS SHOWN ON DETAIL. HEIGHT AND WIDTH OF BARRIER INCREASE WHERE A DIFFERENCE IN MEDIAN EDGE-OF-PAVEMENT GRADE ELEVATION EXISTS.

REVISIONS	
NAME	DATE

ILLINOIS DEPARTMENT OF TRANSPORTATION
FAI ROUTE 55 (BLACK ROAD TO U.S. 30)
WIDENING AND RESURFACING

**ROADWAY DETAILS
CONCRETE BARRIER TRANSITION**

SCALE: N.T.S. DRAWN BY: GF
DATE: 02/23/07 CHECKED BY: DDH

TENG TENG & ASSOCIATES, INC.
ENGINEERS/ARCHITECTS/PLANNERS
CHICAGO, ILLINOIS

PLT DATE = 02/23/07
FILE NAME = 06FILLER
PLOT SCALE = 0.5000
USER NAME = 06SERB

S:\DOCUMENT\022306\50\1\0001\0003.DWG
2-28-2007 1:18:44 PM
CHIC11A2