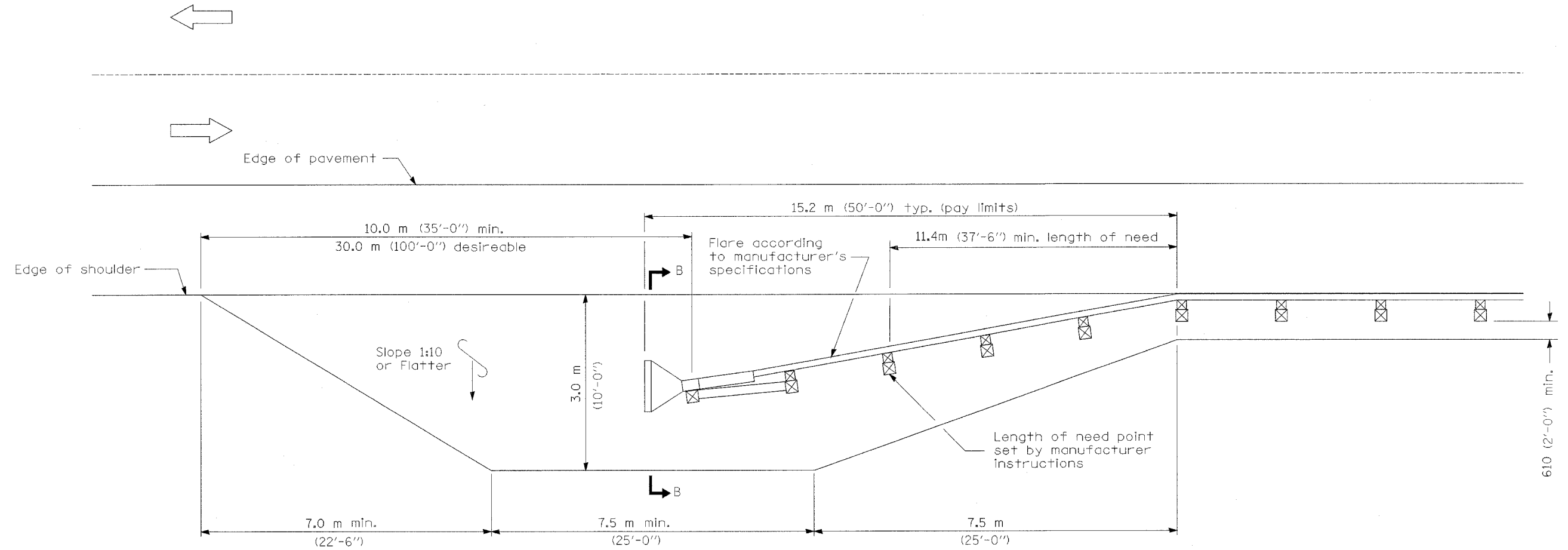
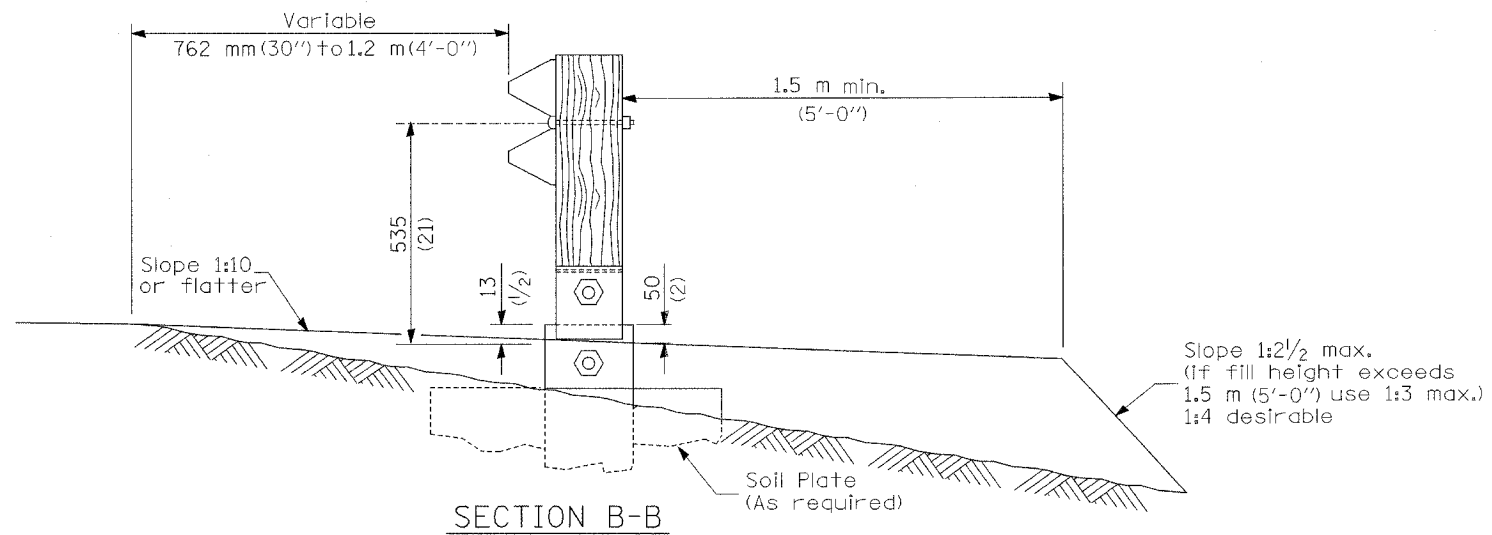


F.A.I. RTE.	SECTION	COUNTY	TOTAL SHEETS	SHEET NO.
55	99 (1&2) WRS	WILL	228	53F
FED. ROAD DIST. NO.	ILLINOIS	FED. AID PROJECT		



SHOULDER WIDENING TRANSITION
FOR FLARED TERMINAL



SECTION B-B
(End section omitted for clarity.)

SHOULDER WIDENING FOR
TYPE 1 (SPECIAL)
GUARDRAIL TERMINALS
(Sheet 2 of 2)

ROADWAY DETAILS