

CONTRACT NO. 60B46

F.A.I. RTE.	SECTION	COUNTY	TOTAL SHEETS	SHEET NO.
55	99 (I&2) WRS	WILL	228	53H
FED. ROAD DIST. NO.	ILLINOIS	FED. AID PROJECT		

OTHER CONCRETE STRUCTURE

5 Epoxy grouted M20 (3/4) anchor bolts with standard washers. After tightening, cut the anchor bolts flush with nuts, and damage the nut to prevent it from loosening.

Pay limits of TRAFFIC BARRIER TERMINAL TYPE 6 (1 each)

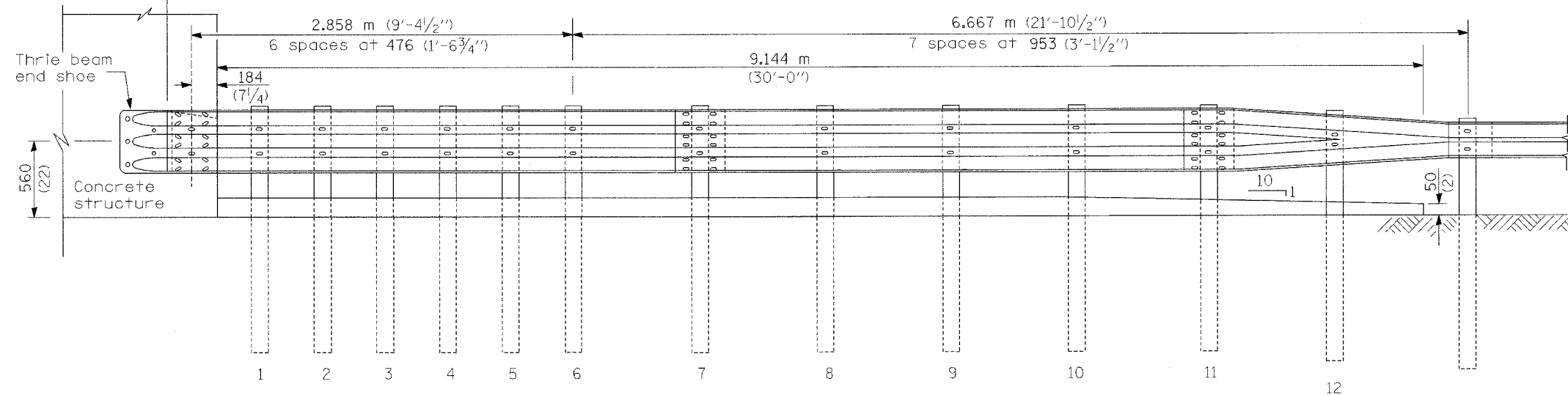
Type B concrete curb

Pay limits of other type

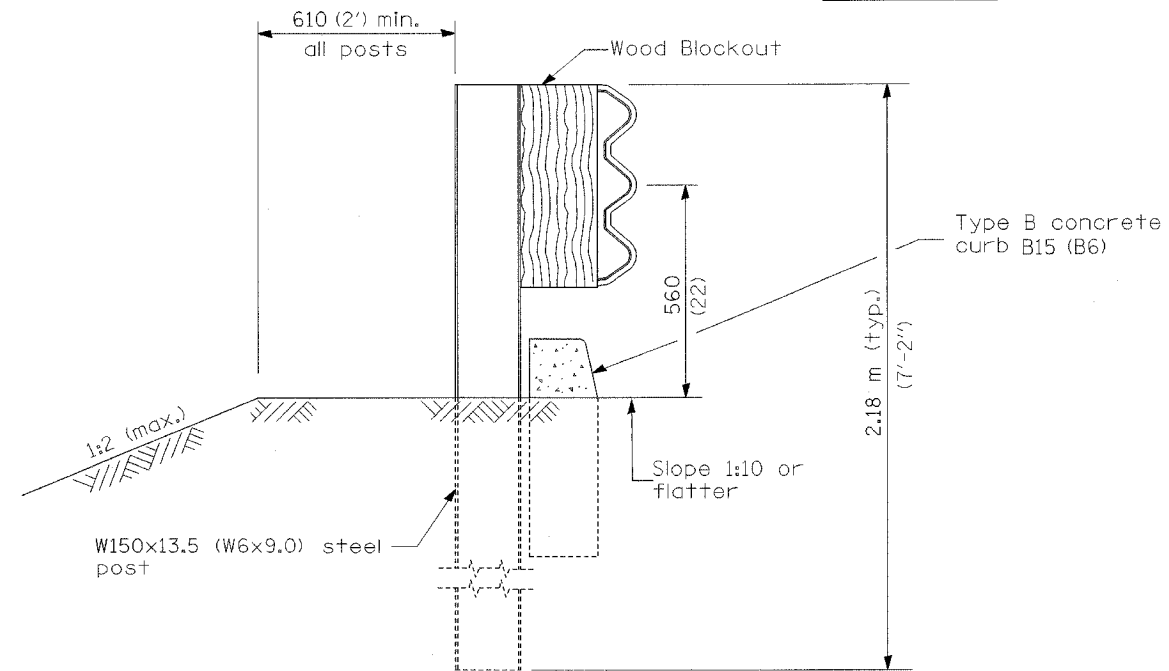
Two sections of thrie beam one set inside the other

Transition section included in TRAFFIC BARRIER TERMINAL TYPE 6 (3.4mm (10 gauge) rail element)

PLAN



ELEVATION



SECTION B-B

TRAFFIC BARRIER TERMINAL, TYPE 6

Sheet 2 of 3

ROADWAY DETAILS