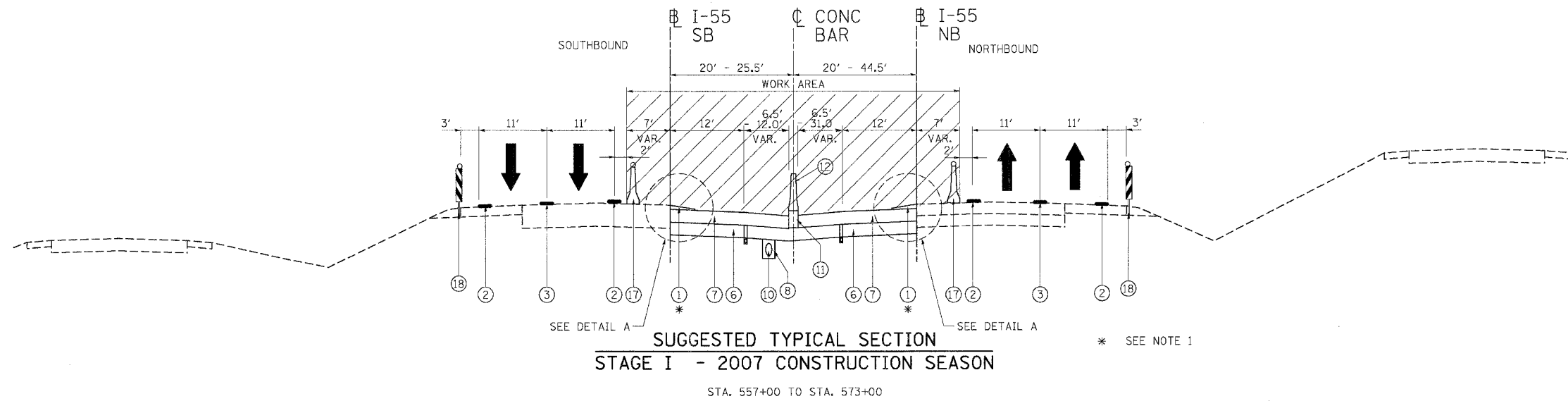


F.A.I. RTE.	SECTION	COUNTY	TOTAL SHEETS	SHEET NO.
55	39 (1&2) WRS-2	WILL	228	84
STA.		TO STA.		
FED. ROAD DIST. NO.		ILLINOIS FED. AID PROJECT		



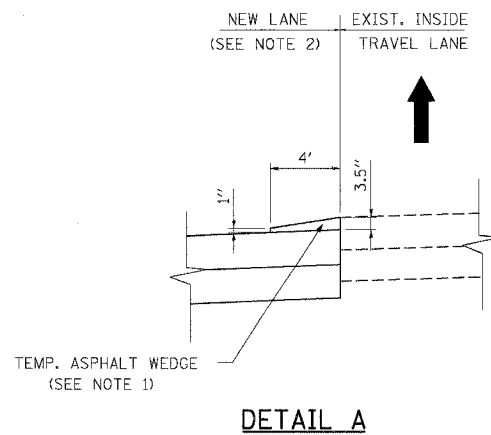
LEGEND:

- ① TEMPORARY ASPHALT WEDGE
- ② PAVEMENT MARKING TAPE, TYPE III 4"
- ③ PAVEMENT MARKING TAPE, TYPE III 5" SKIP-DASH
- ④ BITUMINOUS SURFACE REMOVAL, 3 1/2"
- ⑤ POLYMERIZED HOT-MIX ASPHALT BINDER COURSE, SMA 1 3/4"
- ⑥ AGGREGATE SUBGRADE, 12"
- ⑦ HOT-MIX ASPHALT BASE COURSE
- ⑧ TRENCH BACKFILL
- ⑨ POLYMERIZED HOT-MIX ASPHALT SURFACE COURSE, SMA 1 3/4"
- ⑩ STORM SEWER
- ⑪ BARRIER BASE
- ⑫ CONCRETE BARRIER, DOUBLE FACE
- ⑬ DRUMS W/ STEADY BURN LIGHTS @ 100' C-C
- ⑭ CHECK DRUM W/ STEADY BURN LIGHTS @ 1000' C-C
- ⑮ BITUMINOUS SURFACE REMOVAL (VARIABLE DEPTH)
- ⑯ HOT-MIX ASPHALT SURFACE COURSE, MIX D, N70, 2"
- ⑰ TEMPORARY CONCRETE BARRIER
- ⑱ VERTICAL PANEL W/ STEADY BURN LIGHTS @ 100' C-C IN CURVES AND 200' C-C ON TANGENTS
- ⑲ EPOXY PAVEMENT MARKING - LINE 4"
- ⑳ EPOXY PAVEMENT MARKING - LINE 5" SKIP-DASH
- ㉑ PERMANENT THERMOPLASTIC PAVEMENT MARKING - LINE 4"

- PAVEMENT PATCHING (AS DIRECTED BY THE ENGINEER)
- BITUMINOUS SURFACE REMOVAL AND RESURFACING
- WORK AREA
- TRAFFIC FLOW

NOTES:

1. THE COST OF TEMPORARY ASPHALT WEDGE REMOVAL WILL NOT BE PAID FOR SEPARATELY, BUT SHALL BE INCLUDED IN THE CONTRACT UNIT PRICE PER SQ YD FOR "TEMPORARY ASPHALT WEDGE."



MIXTURE REQUIREMENTS

APPLICATION	MIXTURE TYPE	AC TYPE	AIR VOIDS
TEMPORARY ASPHALT WEDGE	HOT-MIX ASPHALT SURFACE COURSE, MIX "D", N 70 (IL 9.5 mm)	PG 64-22	4% @ N70

REVISIONS	
NAME	DATE

ILLINOIS DEPARTMENT OF TRANSPORTATION
 FAI ROUTE 55 (BLACK ROAD TO U.S. 30)
 WIDENING AND RESURFACING

**STAGING AND TRAFFIC CONTROL
 FAI 55 - TYPICAL SECTIONS
 STAGE I - 2007**

SCALE: DATE 02/23/07 DRAWN BY AG CHECKED BY DDH

TENG TENG & ASSOCIATES, INC.
 ENGINEERS/ARCHITECTS/PLANNERS
 CHICAGO, ILLINOIS

PLOT DATE = 02/23/07
 FILE NAME = #041518
 PLOT SCALE = #041518
 USER NAME = #041518