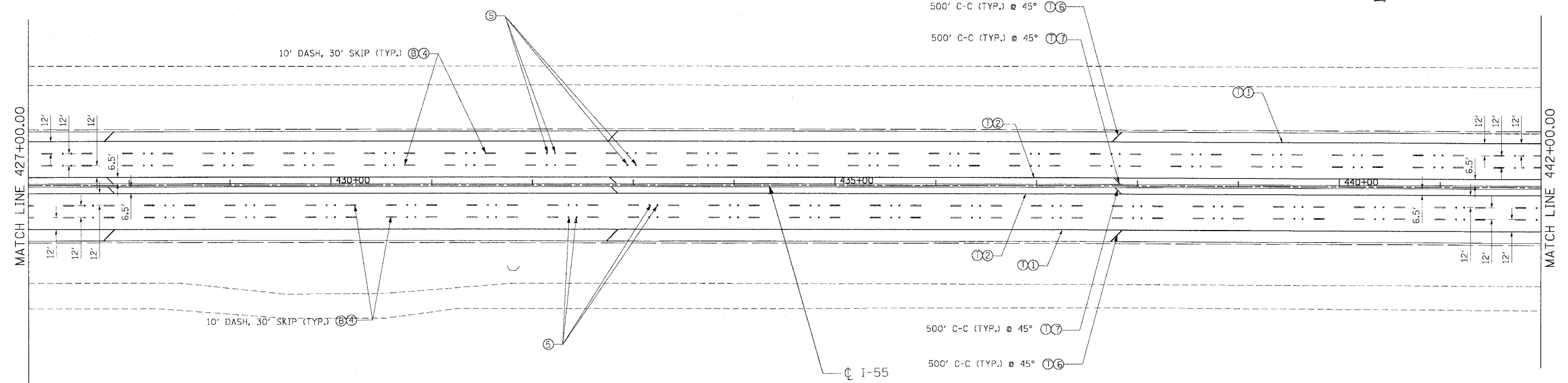
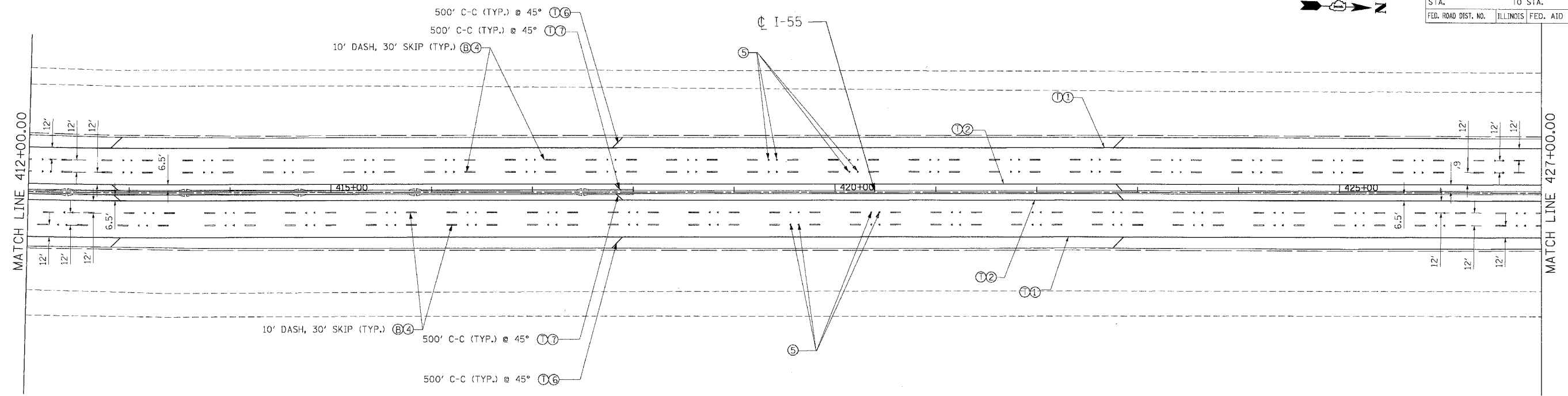


F.A.I. RTE.	SECTION	COUNTY	TOTAL SHEETS	SHEET NO.
55	99 (1&2) WRS-2	WILL	228	151
STA.		TO STA.		
FED. ROAD DIST. NO.		ILLINOIS FED. AID PROJECT		



PAVEMENT MARKING LEGEND

- | | | |
|--|--|-----------------------------|
| ① PAVEMENT MARKING LINE 4" (WHITE) | ⑥ PAVEMENT MARKING LINE 12" (WHITE) | ① THERMOPLASTIC (EXTRUDED) |
| ② PAVEMENT MARKING LINE 4" (YELLOW) | ⑦ PAVEMENT MARKING LINE 12" (YELLOW) | ② POLYUREA |
| ③ PAVEMENT MARKING LINE 8" (WHITE) | ⑧ RAISED REFLECTIVE PAVEMENT MARKER (SINGLE, ONE-WAY, CRYSTAL MARKERS @ 40' C-C) | ③ PREFORMED PLASTIC, TYPE B |
| ④ PAVEMENT MARKING LINE 5" (WHITE) | ⑨ RAISED REFLECTIVE PAVEMENT MARKER (SINGLE, ONE-WAY, CRYSTAL MARKERS @ 80' C-C) | |
| ⑤ RAISED REFLECTIVE PAVEMENT MARKER (DOUBLE, ONE-WAY, CRYSTAL MARKERS @ 80' C-C) | | |

LANDSCAPING LEGEND

- | | |
|--|--|
| | SEEDING CLASS 2A WITH TOPSOIL FURNISH AND PLACE, 6" AND EROSION CONTROL BLANKET |
| | SEEDING CLASS 4 WITH COMPOST FURNISH AND PLACE, 4" AND EROSION CONTROL BLANKET |
| | SEEDING, CLASS 4B (MODIFIED) WITH COMPOST FURNISH AND PLACE, 4" AND MULCH METHOD 2 |

REVISIONS	
NAME	DATE

ILLINOIS DEPARTMENT OF TRANSPORTATION
 FAI ROUTE 55 (BLACK ROAD TO U.S. 30)
 WIDENING AND RESURFACING

**PAVEMENT MARKING AND LANDSCAPING
 FAI 55
 STA. 412+00.00 TO STA. 442+00.00**

SCALE: 1"=50'
 DATE 03/15/07

DRAWN BY MW
 CHECKED BY DDH

TENG
 TENG & ASSOCIATES, INC.
 ENGINEERS/ARCHITECTS/PLANNERS
 CHICAGO, ILLINOIS

MORCOM, N.V., INC.
 CONSULTING ENGINEERS
 CHICAGO, ILLINOIS

PLOT DATE = 03/15/07
 PLOT SCALE = 1"=50'
 PLOT USER = DDH