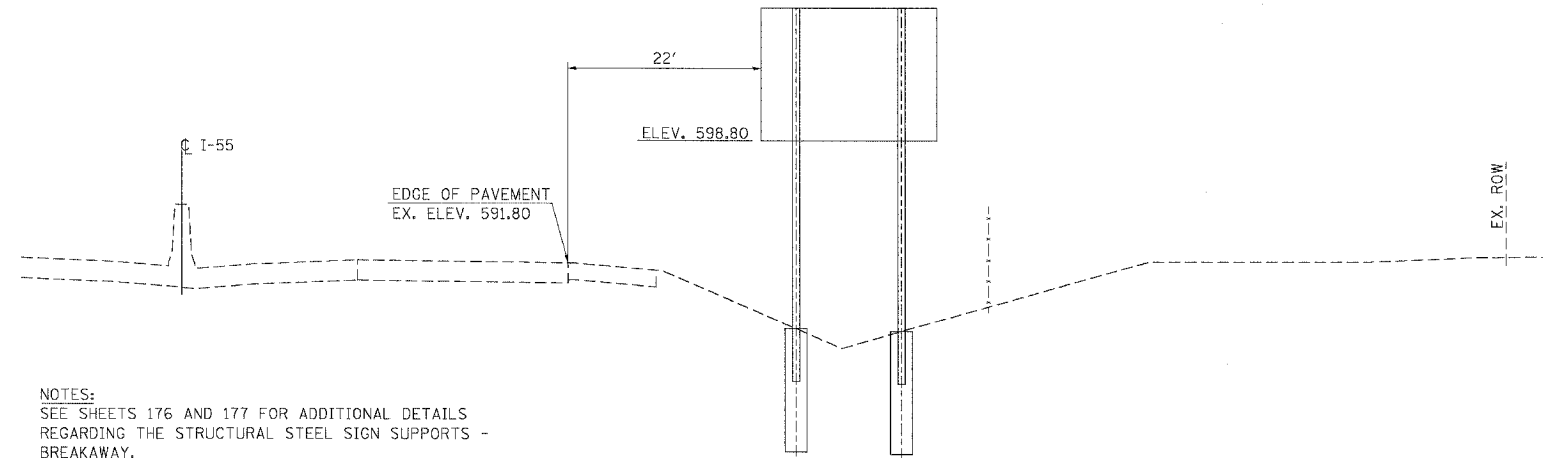


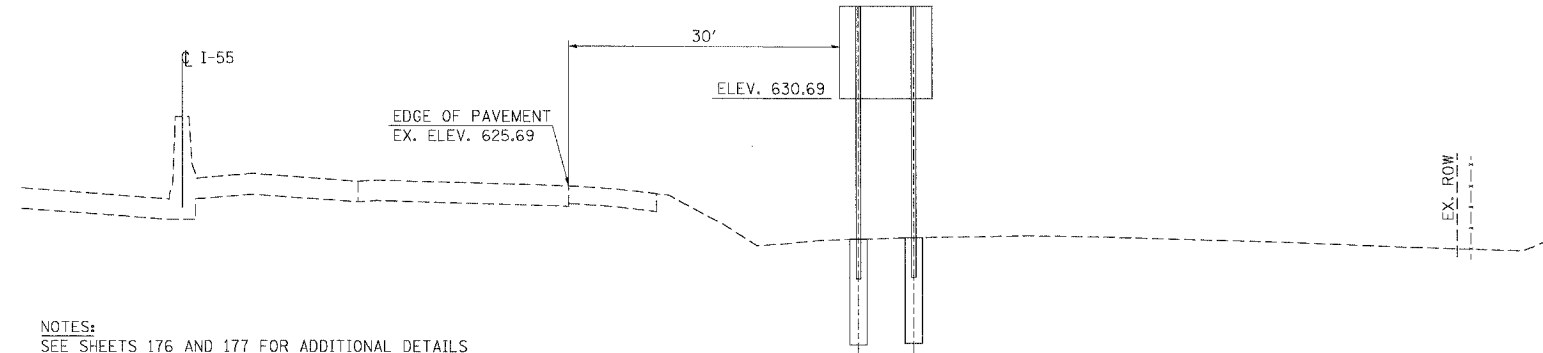
F.A.I. RTE.	SECTION	COUNTY	TOTAL SHEETS	SHEET NO.
55	99 (1&2) WRS-2	WILL	228	175
STA.		TO STA.		
FED. ROAD DIST. NO.	ILLINOIS	FED. AID PROJECT		



NOTES:  
SEE SHEETS 176 AND 177 FOR ADDITIONAL DETAILS REGARDING THE STRUCTURAL STEEL SIGN SUPPORTS - BREAKAWAY.

**PROPOSED GROUND-MOUNT SIGN 1G099I055R255.4**

STA. 475+45 @ I-55  
(LOOKING NORTH)



NOTES:  
SEE SHEETS 176 AND 177 FOR ADDITIONAL DETAILS REGARDING THE STRUCTURAL STEEL SIGN SUPPORTS - BREAKAWAY.

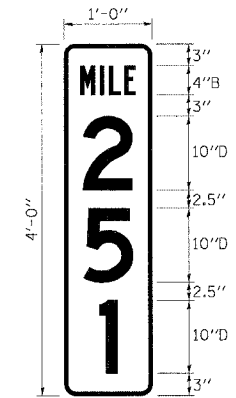
**PROPOSED GROUND-MOUNT SIGN 1G099I055R256.7**

STA. 545+30 @ I-55  
(LOOKING NORTH)



BORDER  
R=8"  
TH=1.5"  
SIGN: WHITE/GREEN

**TYPICAL GORE EXIT SIGN DETAILS**



BORDER  
R=1.5"  
TH=0.5"  
SIGN: WHITE/GREEN

**TYPICAL MILE MARKER SIGN DETAILS**

PLOT DATE = 02/23/07  
 FILE NAME = 1G099I055R255.4  
 USER NAME = RUSERTV  
 S:\PROJECTS\2007\1G099I055R255.4\DRAWINGS\1G099I055R255.4.DWG  
 02/23/07 11:30:35  
 02/23/07 11:30:35

REVISIONS	
NAME	DATE

ILLINOIS DEPARTMENT OF TRANSPORTATION  
 FAI ROUTE 55 (BLACK ROAD TO U.S. 30)  
 WIDENING AND RESURFACING

**SIGN DETAILS**

SCALE: N.T.S. DRAWN BY AG  
 DATE 02/23/07 CHECKED BY DDH

**TENG** TENG & ASSOCIATES, INC.  
 ENGINEERS/ARCHITECTS/PLANNERS  
 CHICAGO, ILLINOIS