

|                     |                |                  |              |           |
|---------------------|----------------|------------------|--------------|-----------|
| F.A.I. RTE.         | SECTION        | COUNTY           | TOTAL SHEETS | SHEET NO. |
| 55                  | 99 (1&2) WRS-2 | WILL             | 228          | 178       |
| STA.                | TO STA.        |                  |              |           |
| FED. ROAD DIST. NO. | ILLINOIS       | FED. AID PROJECT |              |           |

**BAR LIST**

| Bar  | No. | Size | Length | Shape |
|------|-----|------|--------|-------|
| d(E) | 52  | #5   | 2'-1"  |       |
| h(E) | 16  | #4   | 4'-2"  |       |
| h(E) | 16  | #4   | 10'-2" |       |
| s(E) | 32  | #4   | 8'-5"  |       |

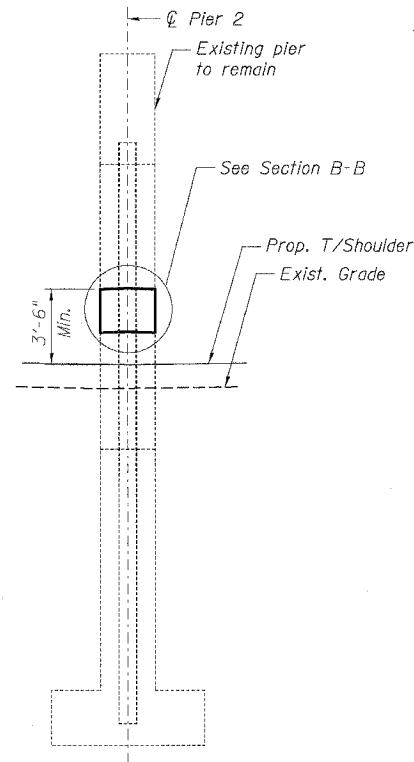
**TOTAL BILL OF MATERIAL**

| Item                             | Unit  | Total |
|----------------------------------|-------|-------|
| Concrete Structures              | Cu Yd | 5.6   |
| Reinforcement Bars, Epoxy Coated | Lb    | 450   |
| Concrete Sealer                  | Sq Ft | 195   |

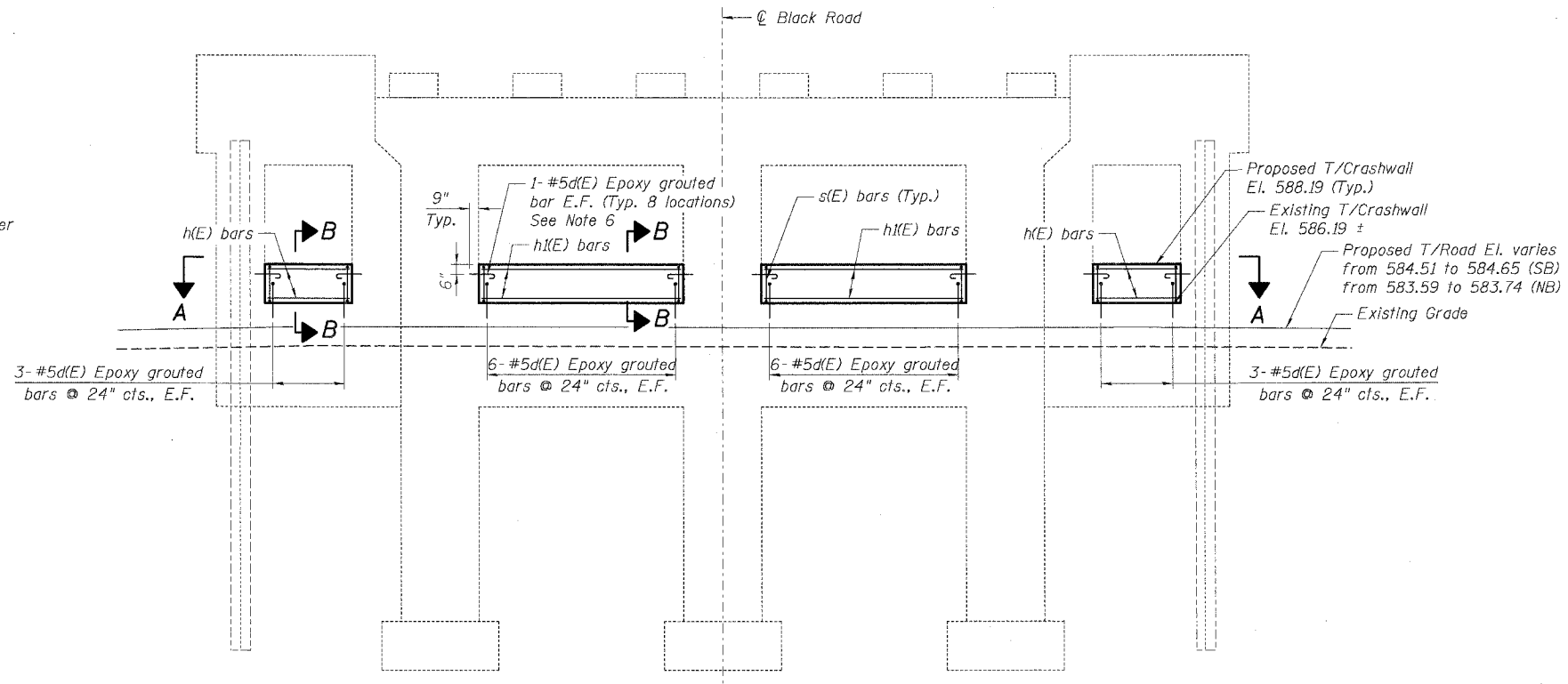
\*\* Quantity includes top and side surfaces of new concrete.



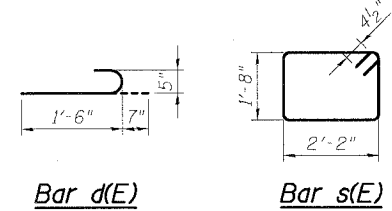
DATE 11/30/07  
EXP. 11/30/08



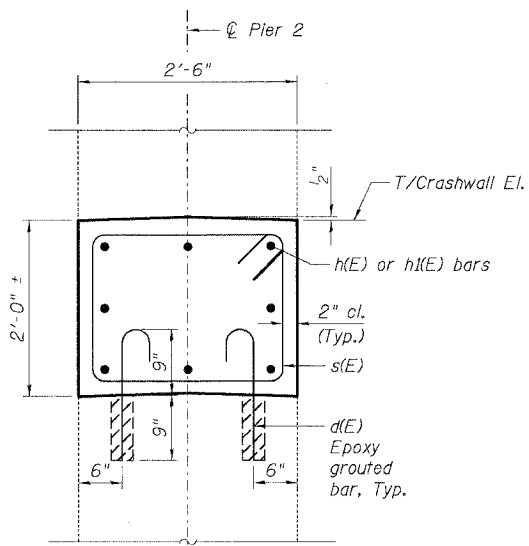
**TYPICAL SECTION**



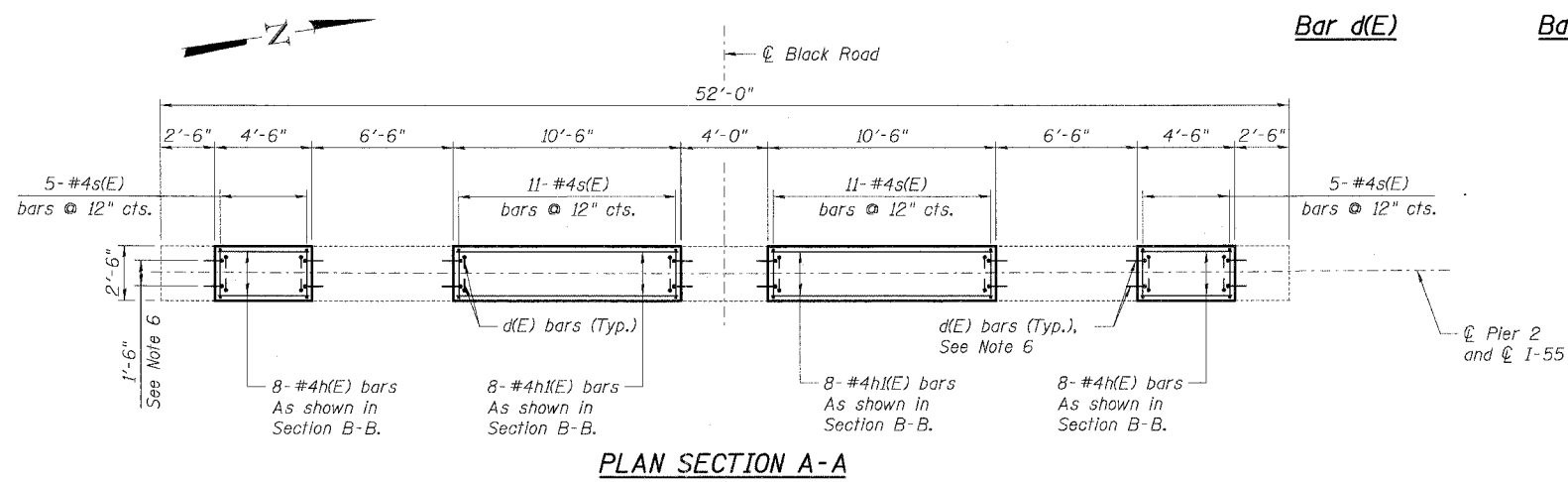
**PIER ELEVATION**



**Bar d(E) Bar s(E)**



**SECTION B-B**



**PLAN SECTION A-A**

**Notes:**

- E.F. denotes Each Face.
- All edges shall have 3/4" chamfer unless noted otherwise.
- Bars designated (E) shall be epoxy coated.
- Minimum embedment depth of 9" shall be provided for epoxy grouted bars.
- Epoxy grouted bars shall be in accordance with Article 584 of the Standard Specifications. Cast included with Reinforcement Bars, Epoxy Coated.
- Contractor shall ensure that vertical bars in pier columns are not damaged. Any damage to existing vertical bars in pier columns shall be repaired. Repairs shall be made as directed by the Engineer.

**GENERAL NOTES**

- Plan dimensions and details relative to existing structure have been taken from existing plans and are subject to nominal construction variations. It shall be the Contractor's responsibility to verify such dimensions and details in the field and make necessary approved adjustments prior to construction or ordering of materials. Such variations shall not be cause for additional compensation for a change in the scope of the work, however, the Contractor will be paid for the quantity actually furnished at the unit price for the work.
- All construction joints shall be bonded.

SHT. 1 OF 1

| REVISIONS |      |
|-----------|------|
| NAME      | DATE |
|           |      |
|           |      |
|           |      |
|           |      |
|           |      |

**MORCOM, N.V., INC.**  
CONSULTING ENGINEERS  
CHICAGO, ILLINOIS

ILLINOIS DEPARTMENT OF TRANSPORTATION  
FAI ROUTE 55 (BLACK ROAD TO ILS. 30)  
WIDENING AND RESURFACING  
BLACK ROAD OVER I-55, S.N. 099-0209  
STA. 100+00.34, SECTION 99 (1&2) WRS-2  
WILL COUNTY

SCALE: DATE 02/23/07

PIER 2

DRAWN BY MW  
CHECKED BY MJK

**TENG** TENG & ASSOCIATES, INC.  
ENGINEERS/ARCHITECTS/PLANNERS  
CHICAGO, ILLINOIS

DATE = 02/23/07  
FILE NAME = 02/23/07  
PLOT SCALE = 1/8"=1'-0"  
USER NAME = 80528