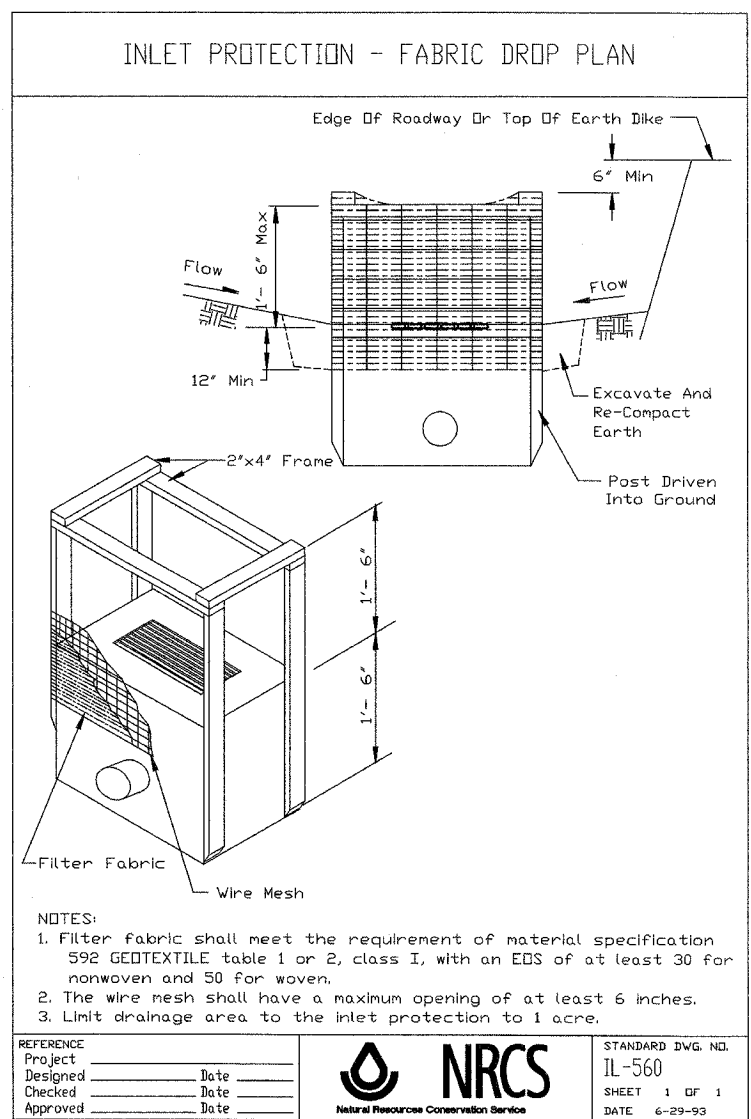
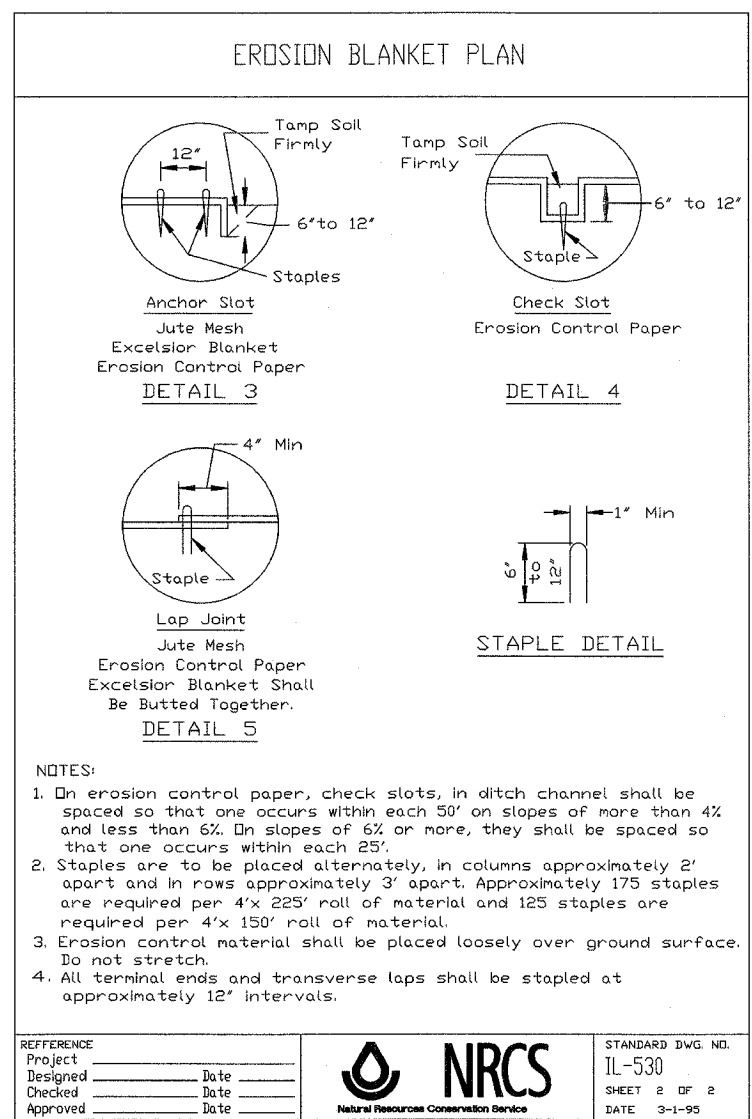
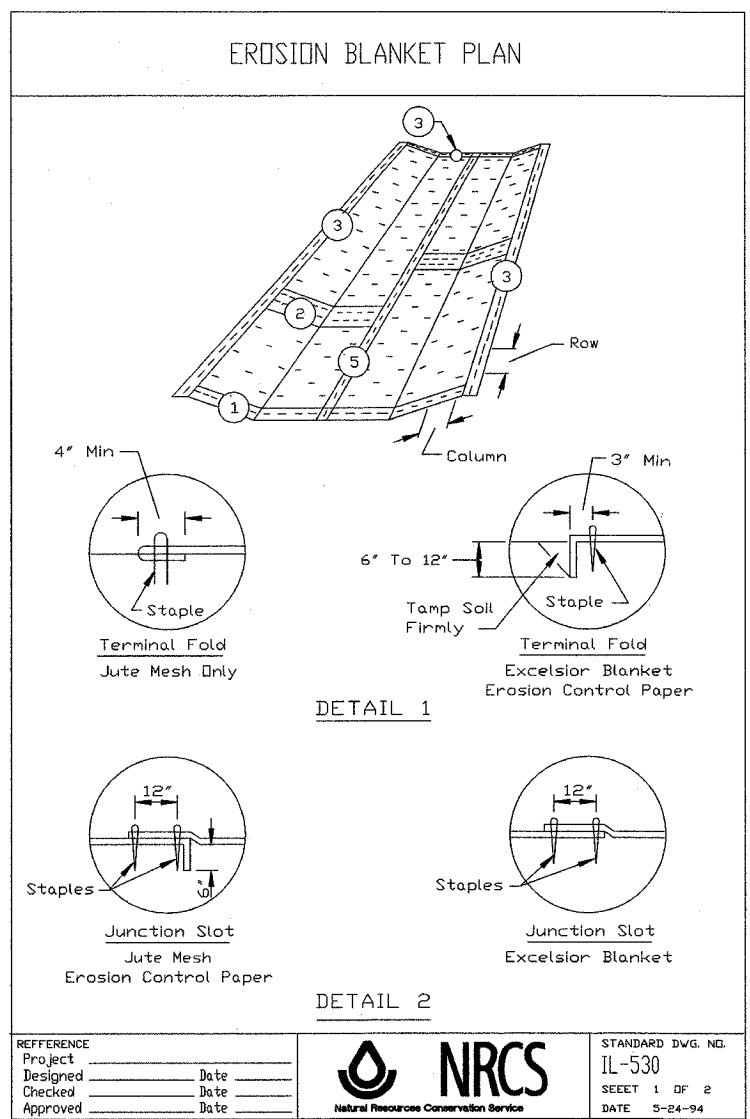


CONTRACT NO. 60B47				
F.A.P. RTE.	SECTION	COUNTY	TOTAL SHEETS	SHEET NO.
55	99 (I&2) WRS-3	WILL.	305	105
STA.		TO STA.		
FED. ROAD DIST. NO.	ILLINOIS	FED. AID PROJECT		
EC-07 OF 07				



**PB PARSONS BRINCKERHOFF**

**SMITH ENGINEERING CONSULTANTS, INC.**  
www.smithengineering.com

REVISIONS	
NAME	DATE

ILLINOIS DEPARTMENT OF TRANSPORTATION  
FAI ROUTE 55  
143RD STREET TO WEBER ROAD

**EROSION AND SEDIMENT CONTROL DETAILS**

SCALE: 1" = 50'  
DATE: 02/23/2007

DRAWN BY:  
CHECKED BY:

FINAL