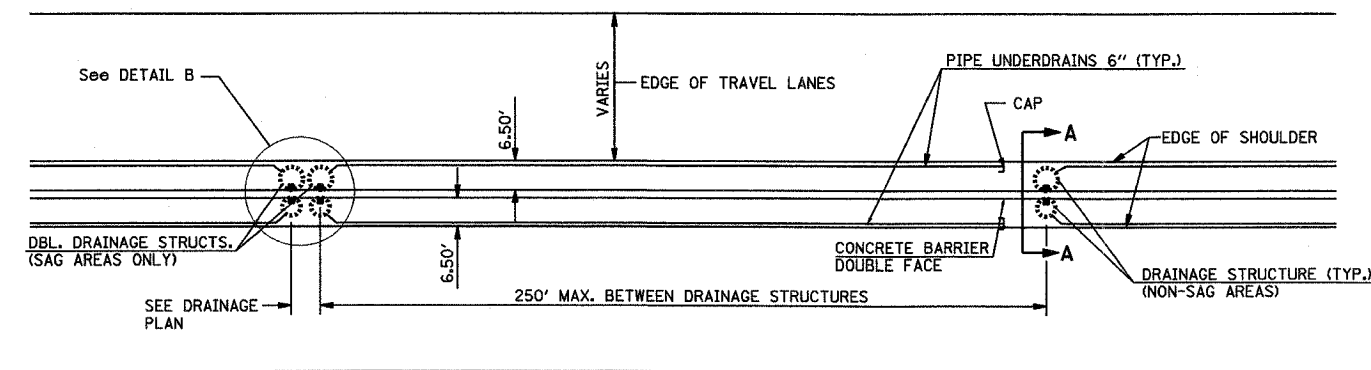
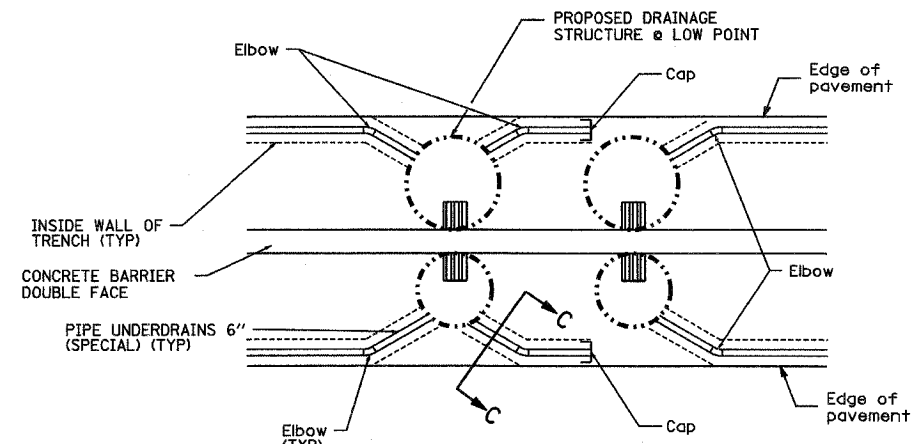


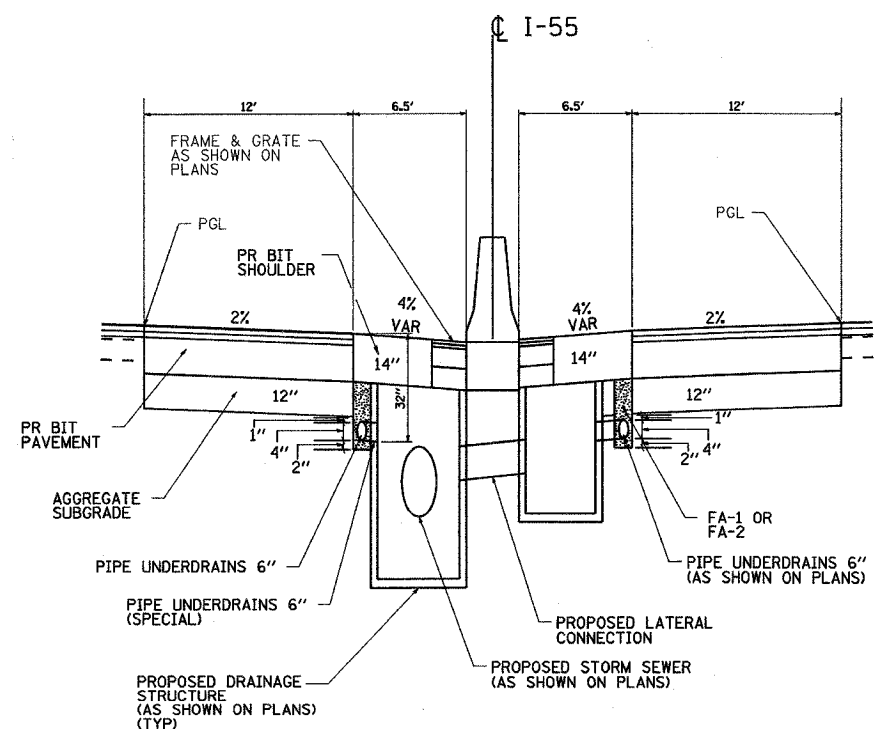
F.A.P. RTE.	SECTION	COUNTY	TOTAL SHEETS	SHEET NO.
55	99 (1&2) WRS-3	WILL	305	123
STA.	TO STA.			
FED. ROAD DIST. NO.	ILLINOIS	FED. AID PROJECT		
DDET 4 OF 5				



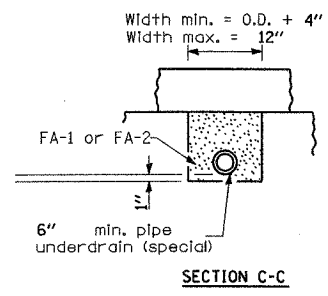
PROPOSED PLAN



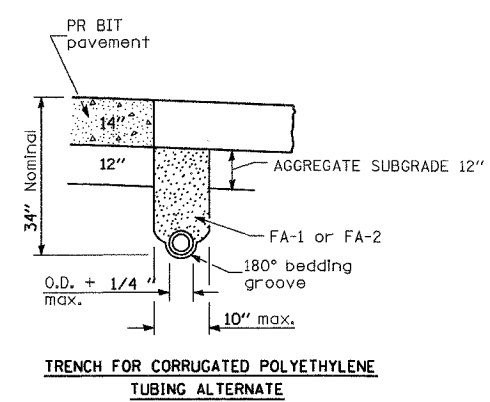
DETAIL B



SECTION A-A



SECTION C-C



TRENCH FOR CORRUGATED POLYETHYLENE TUBING ALTERNATE

GENERAL NOTES

The 24" radius on the drainage fitting is only a minimum. Larger radii meeting the approval of the Engineer may be substituted.

REVISIONS	
NAME	DATE

ILLINOIS DEPARTMENT OF TRANSPORTATION
 FAI ROUTE 55
 143RD STREET TO WEBER ROAD
 DRAINAGE DETAILS
 PIPE UNDERDRAINS

SCALE:
 DATE: 02-23-07

DRAWN BY JRM
 CHECKED BY TEH

