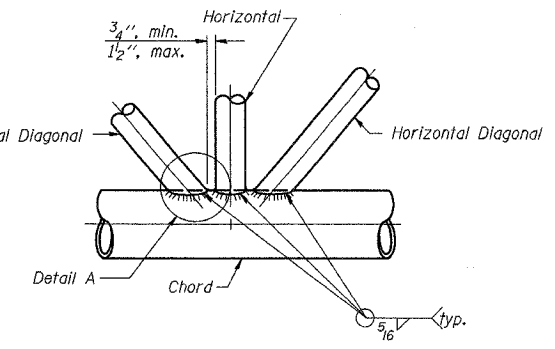
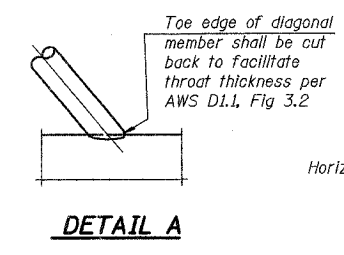
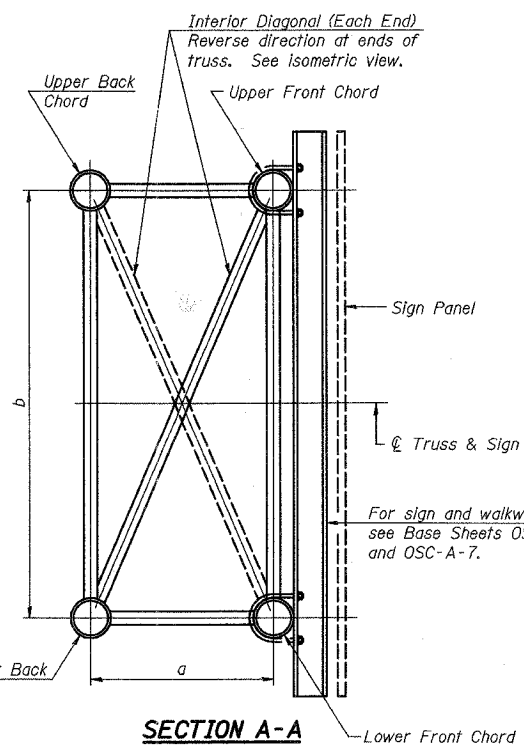
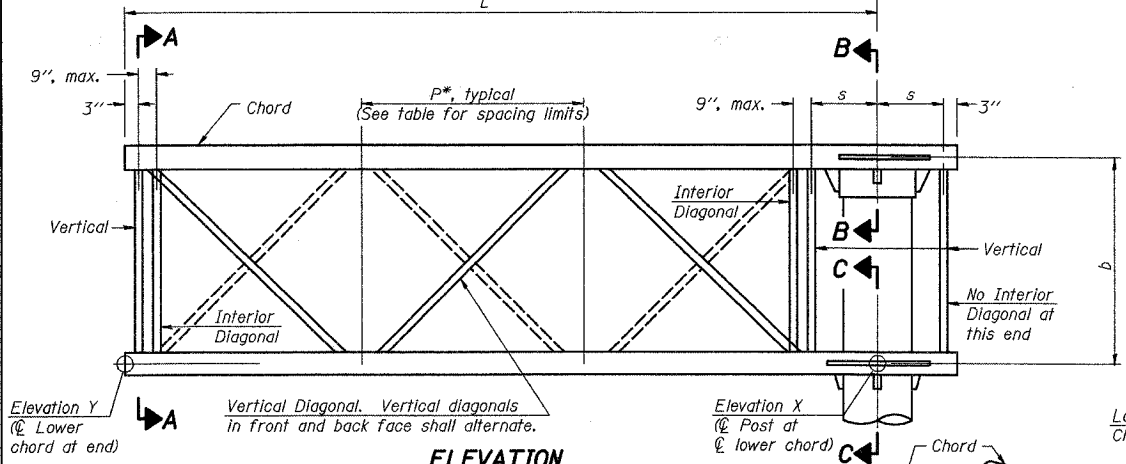
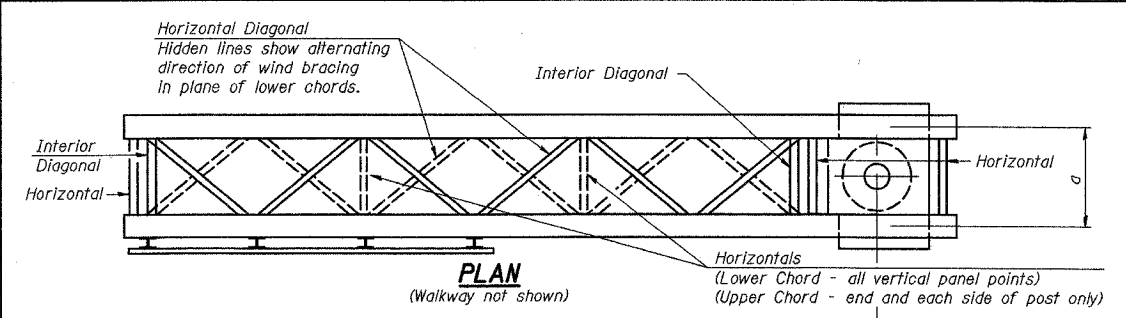


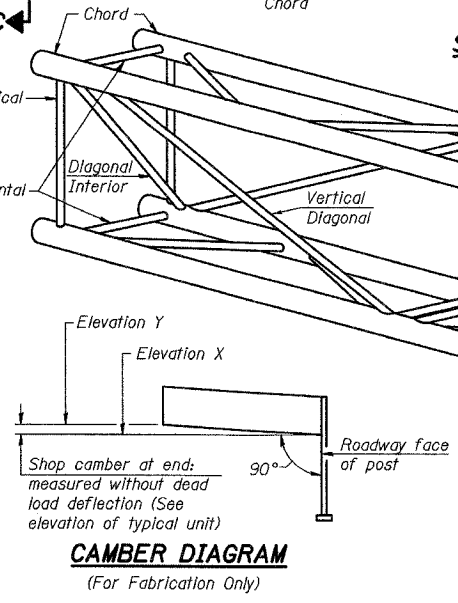
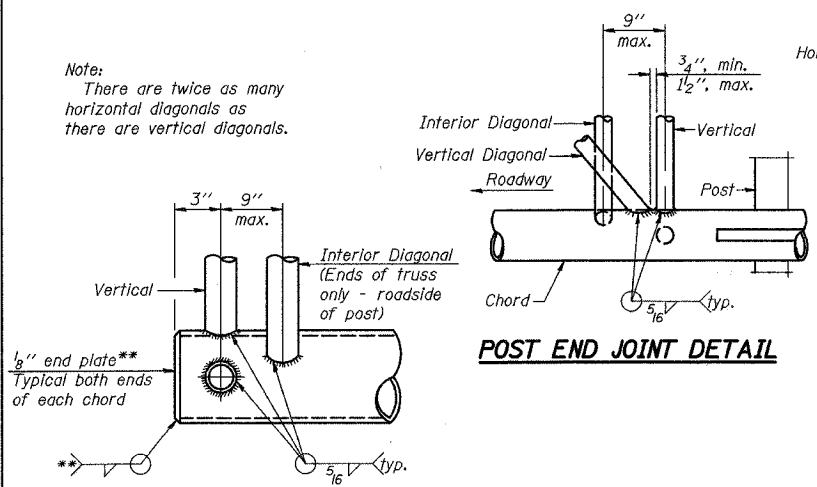
CONTRACT NO. 60847				
F.A.P. RTE.	SECTION	COUNTY	TOTAL SHEETS	SHEET NO.
55	100 (1&2) I-9	WILL	305	153
STA.		TO STA.		
FED. ROAD DIST. NO.		ILLINOIS FED. AID PROJECT		
DETLS - 19 OF 30				



Structure Number	Station	Truss Type	Design Length (L)	Number of Panels Per Unit	Panel Length (P)*
IC0991055L263.8	92.3+00	II-C-A	33	6	62"

**TYPICAL TRUSS UNIT**  
 For Section B-B and Section C-C, see Base Sheet OSC-A-3.

Note: There are twice as many horizontal diagonals as there are vertical diagonals.



**ISOMETRIC VIEW TYPICAL TRUSS UNIT**  
 ASTM B221 Alloy 6061 Temper T6

**CANTILEVER END JOINT DETAIL SHOP CAMBER TABLE**  
 \*\* Contractor may alternatively use standard aluminum drive-fit cap to close ends.

Unit Length (L)	Shop Camber at End
15'	1 1/2"
16'-17'	1 3/4"
18'-20'	2"
21'-22'	2 1/4"
23'-25'	2 1/2"
26'-27'	2 3/4"
28'-30'	3"
31'-32'	3 1/4"
33'-35'	3 1/2"
36'-37'	4"
38'-40'	4 1/2"

**TRUSS UNIT TABLE**

Truss Type	Dimension "a"	Dimension "b"	Dimension "s"	Limits for Panel Spacing (P)*	Up. & Low. Chord		Verticals; Horizontals; Vertical, Horizontal, and Interior Diagonals	
					O.D.	Wall	O.D.	Wall
I-C-A	24"	54"	16"	36" min. to 48" max.	5"	5/16"	2 1/2"	5/16"
II-C-A	36"	66"	21"	42" min. to 54" max.	6 1/2"	5/16"	3 1/4"	5/16"
III-C-A (35' Max.)	36"	84"	21"	48" min. to 66" max.	7"	3/8"	3 1/2"	3/8"
III-C-A (>35' to 40')	36"	84"	21"	48" min. to 66" max.	8"	3/8"	3 1/2"	3/8"

\*P = (L - s - 3") / # Panels

NUMBER	REVISION	DATE

OSC-A-2 1-7-05

DAVID MASON & ASSOCIATES  
 Civil Engineering Structural Engineering Surveying  
 445 E. Illinois, Suite 640  
 Chicago, IL 60611  
 (312) 942-9900

REVISIONS	
NAME	DATE

ILLINOIS DEPARTMENT OF TRANSPORTATION  
 F.A.I. I-55  
 143rd STREET TO WEBER RD.  
 CANTILEVER SIGN STRUCTURES  
 TRUSS DETAILS  
 ALUMINUM TRUSS & STEEL POST

SCALE: DRAWN BY: JS, LC  
 DATE: FEBRUARY 23, 2007 CHECKED BY: SE