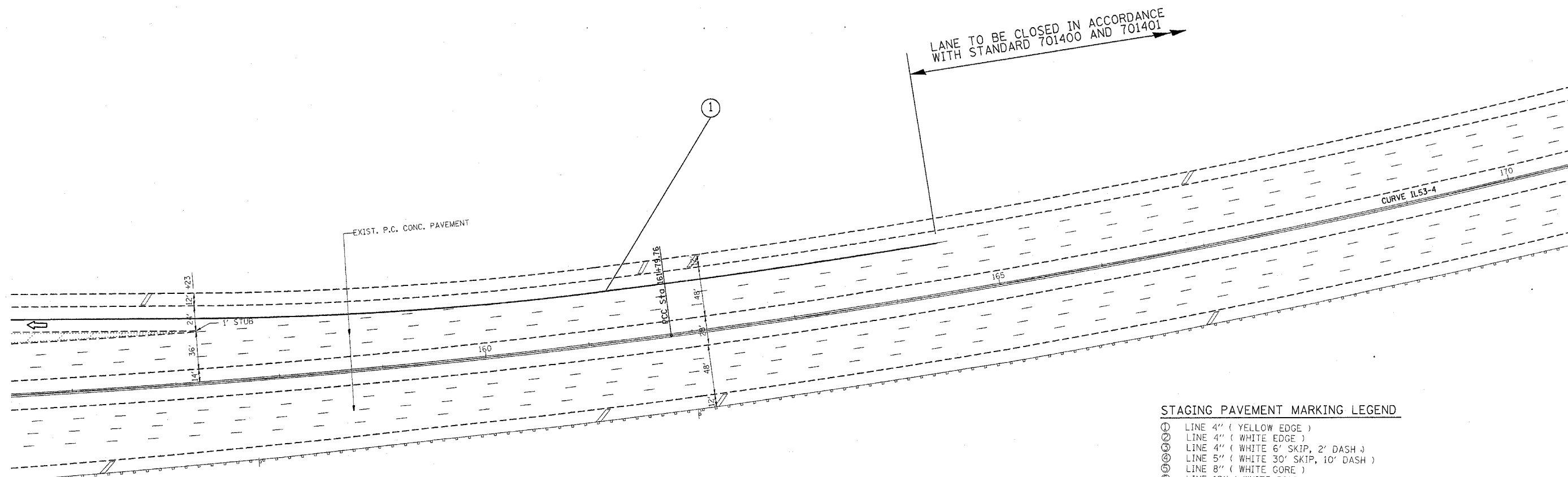


F.A. RTE.	SECTION	COUNTY	TOTAL SHEETS	SHEET NO.
290	2006-030 I	COOK	82	11
STA.		TO STA.		
FED. ROAD DIST. NO.	ILLINOIS	FED. AID PROJECT		



**STAGING PAVEMENT MARKING LEGEND**

- ① LINE 4" ( YELLOW EDGE )
- ② LINE 4" ( WHITE EDGE )
- ③ LINE 4" ( WHITE 6' SKIP, 2' DASH )
- ④ LINE 5" ( WHITE 30' SKIP, 10' DASH )
- ⑤ LINE 8" ( WHITE CORE )
- ⑥ LINE 12" ( WHITE DIAGONAL )

PLOT DATE = 5/30/2007  
 FILE NAME = C:\p06030\2006\design\design.dgn  
 USER NAME = ritchie

REVISIONS	
NAME	DATE
Revised Sheet	5/30/07

ILLINOIS DEPARTMENT OF TRANSPORTATION  
**TRAFFIC CONTROL STAGING**  
 Stage 1  
 SCALE: VERT. \_\_\_\_\_  
 HORIZ. \_\_\_\_\_  
 DATE \_\_\_\_\_  
 DRAWN BY \_\_\_\_\_  
 CHECKED BY \_\_\_\_\_