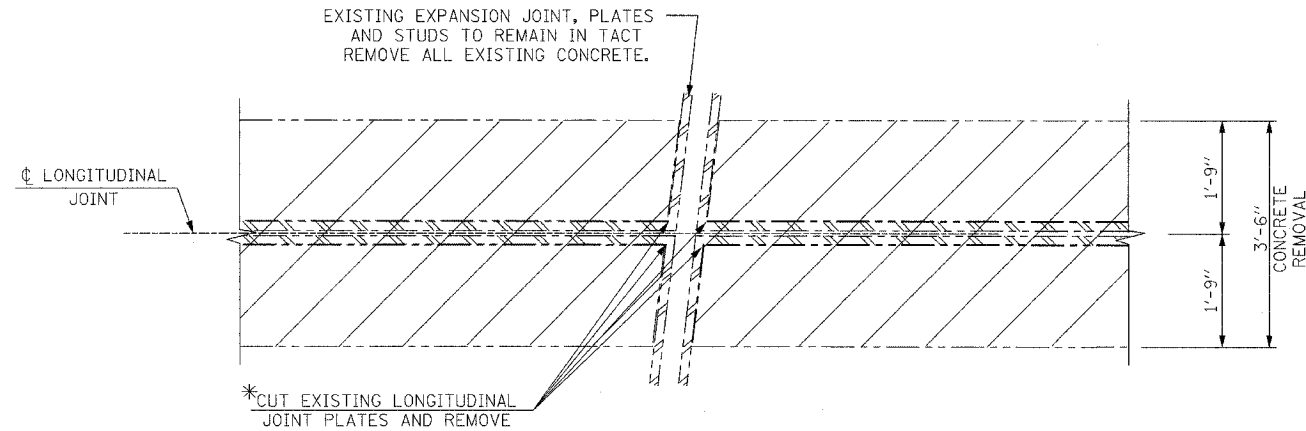


F.A.I. RTE.	SECTION	COUNTY	TOTAL SHEETS	SHEET NO.
290	2006-0301	COOK	78	47
STA.	TO STA.			
FED. ROAD DIST. NO.	ILLINOIS	FED. AID PROJECT		

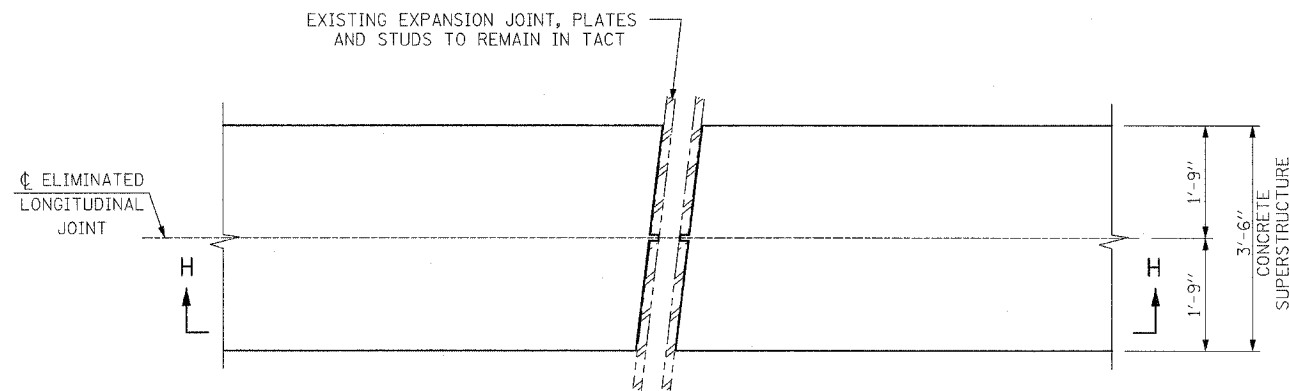
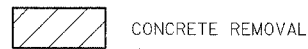
CONTRACT NO. 60B79

NOTE: WORK THIS SHEET WITH SHT. S11

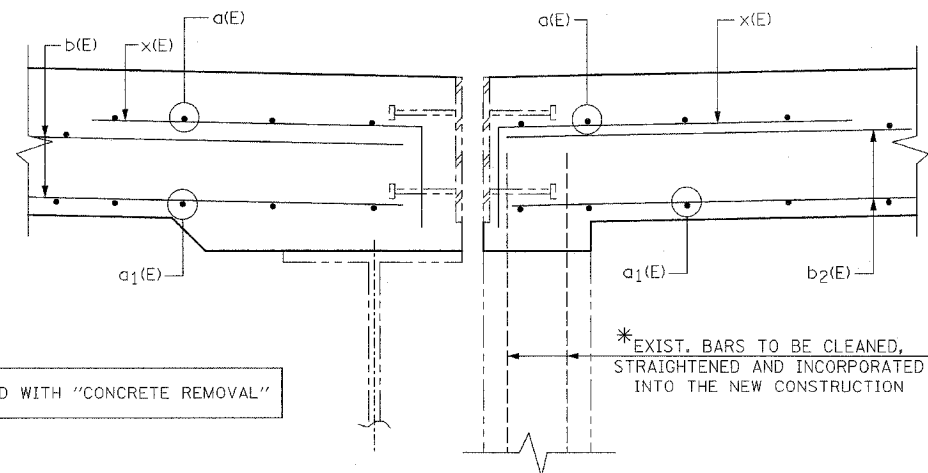


DETAIL "F"

LEGEND



DETAIL "G"



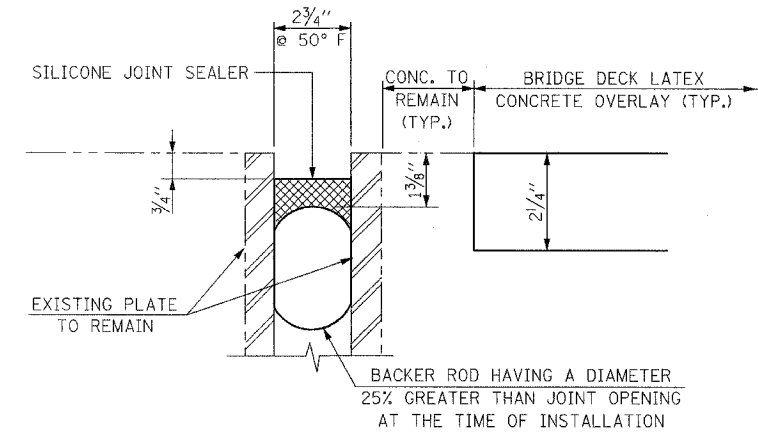
SECTION H-H

* COST INCLUDED WITH "CONCRETE REMOVAL"

D-91-428-06

NOTES:

1. PLAN DIMENSIONS AND DETAILS RELATIVE TO EXISTING PLANS ARE SUBJECT TO ROUTINE VARIATIONS. THE CONTRACTOR SHALL FIELD VERIFY EXISTING DIMENSIONS AND DETAILS AFFECTING NEW CONSTRUCTION AND MAKE NECESSARY APPROVED ADJUSTMENTS PRIOR TO CONSTRUCTION OR ORDERING OF MATERIALS. SUCH VARIATIONS SHALL NOT BE CAUSE FOR ADDITIONAL COMPENSATION FOR A CHANGE IN SCOPE OF THE WORK, HOWEVER, THE CONTRACTOR WILL BE PAID FOR THE QUANTITY ACTUALLY FURNISHED BASED UPON THE UNIT PRICE BID FOR THE WORK.
2. COST FOR REMOVAL OF EXISTING JOINT IS INCLUDED IN THE COST OF SILICONE JOINT SEALER.

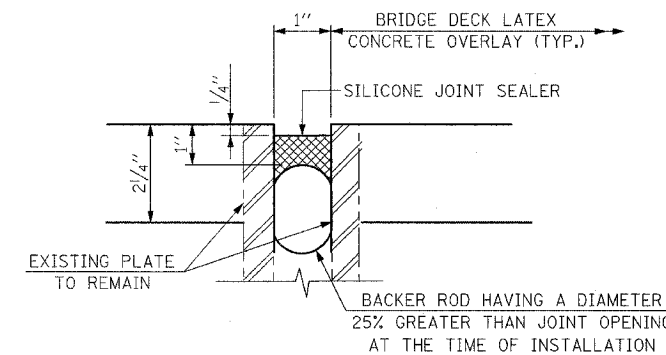


SECTION C-C

AT ABUTMENTS

(EXISTING PREFORMED JOINT SEAL-TRANVERSE EXPANSION JOINT)

LOCATION	JOINT OPENING	LENGTH OF SILICONE JOINT SEALER
NORTH ABUTMENT	2 3/4"	258'-0"
SOUTH ABUTMENT	2 3/4"	258'-0"
NEAR MEDIAN	1"	714'-0"



SECTION D-D

NEAR MEDIAN

(EXISTING LONGITUDINAL JOINTS)

BILL OF MATERIAL		
DESCRIPTION	UNIT	QUANTITY
SILICONE JOINT SEALER, 1"	FT.	714
SILICONE JOINT SEALER, 2 3/4"	FT.	516

REVISIONS	
NAME	DATE

ILLINOIS DEPARTMENT OF TRANSPORTATION
 JOINT RESEALING & DETAILS
 F.A.I. RTE. 290 (I-290) OVER
 N.W. TOLLWAY (I-90)
 F.A.I. RTE. 290 SECTION: 2006-0301
 COOK COUNTY STATION 637+76.18
 STRUCTURE NO. 016-0977

SCALE: DATE: MAY 10, 2007 DRAWN BY: D.L./F.M. CHECKED BY: B.N.S./J.C.N.
CHRISTIAN-ROGE & ASSOC., INC.
 CHICAGO ILLINOIS

Your Revealings 87/07/2007 1:25:06 PM