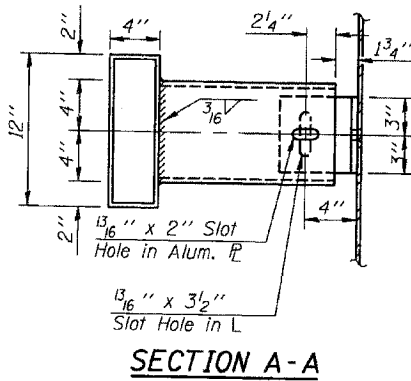
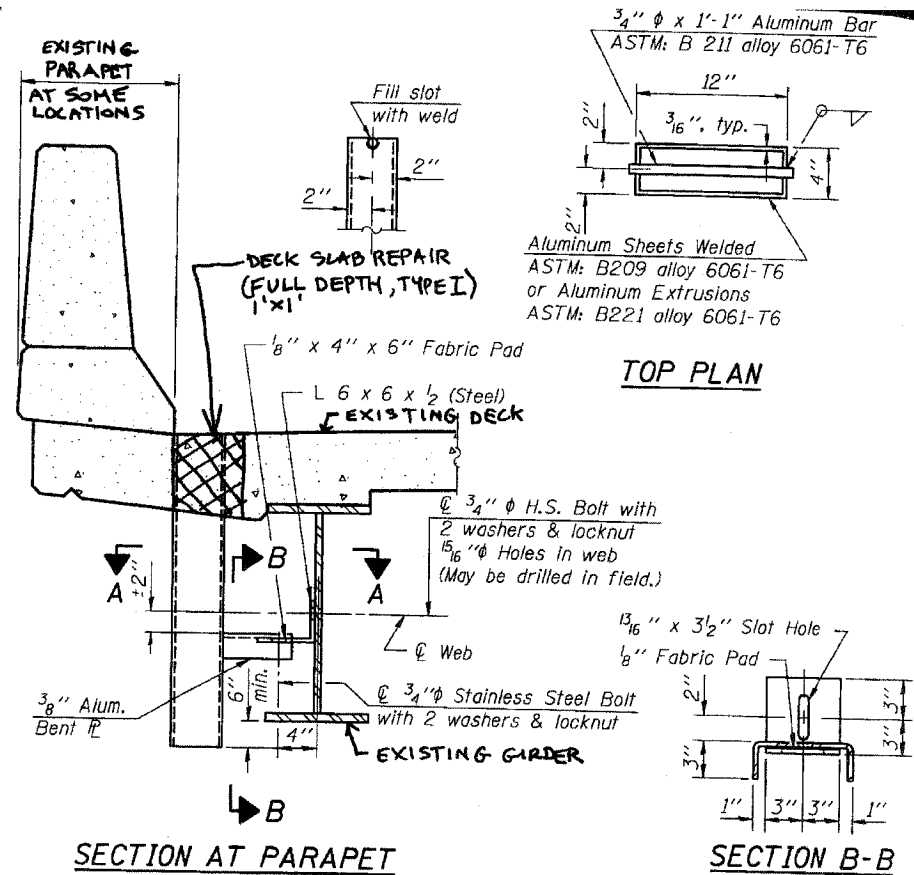
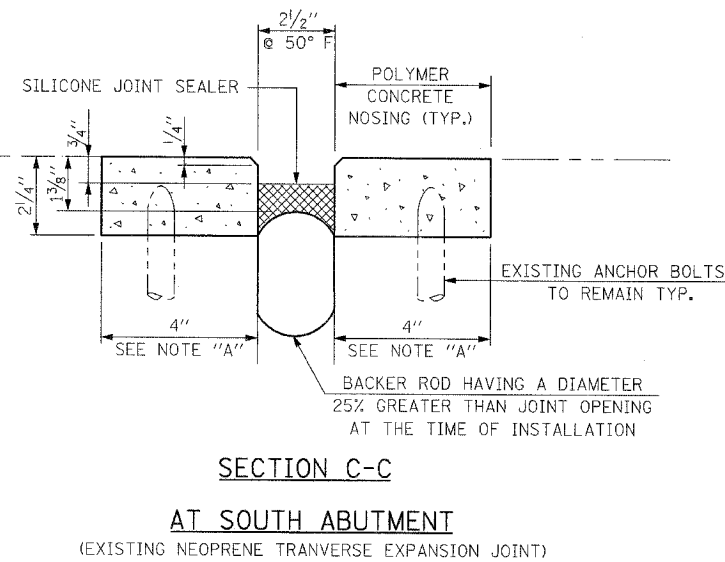


F.A.I. NO.	SECTION	COUNTY	TOTAL SHEETS	SHEET NO.
290	2006-0301	COOK	78	59
STA.		TO STA.		
FED. ROAD DIST. NO.	ILLINOIS	FED. AID PROJECT		
CONTRACT NO. 60B79				



Note:
The exterior surfaces of the floor drains shall be painted with the finish coat as specified in the special provisions for Cleaning and Painting New Metal Structures. The exterior surfaces of the drains shall be cleaned according to Steel Structures Painting Council's Spec. SSPC-SP1 prior to painting.



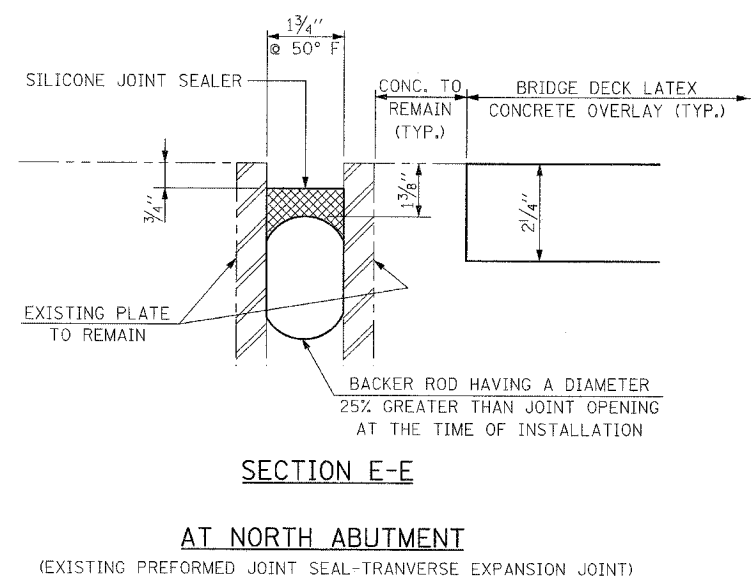
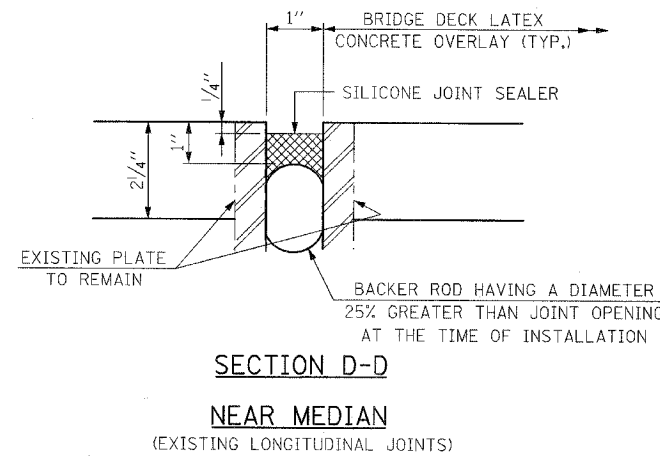
NOTES:

1. PLAN DIMENSIONS AND DETAILS RELATIVE TO EXISTING PLANS ARE SUBJECT TO ROUTINE VARIATIONS. THE CONTRACTOR SHALL FIELD VERIFY EXISTING DIMENSIONS AND DETAILS AFFECTING NEW CONSTRUCTION AND MAKE NECESSARY APPROVED ADJUSTMENTS PRIOR TO CONSTRUCTION OR ORDERING OF MATERIALS. SUCH VARIATIONS SHALL NOT BE CAUSE FOR ADDITIONAL COMPENSATION FOR A CHANGE IN SCOPE OF THE WORK, HOWEVER, THE CONTRACTOR WILL BE PAID FOR THE QUANTITY ACTUALLY FURNISHED BASED UPON THE UNIT PRICE BID FOR THE WORK.
2. COST FOR REMOVAL OF EXISTING JOINT IS INCLUDED IN THE COST OF SILICONE JOINT SEALER.

NOTE "A":

PLACE ADDITIONAL POLYMER CONCRETE IN AREAS WHERE ABUTMENT BACKWALL HAS DETERIORATED, RESULTING IN EXISTING ASPHALT ENCROACHMENT.

LOCATION	JOINT OPENING	LENGTH OF SILICONE JOINT SEALER
NORTH ABUTMENT	2 1/2"	239'-0"
SOUTH ABUTMENT	1 3/4"	239'-0"
NEAR MEDIAN	1"	456'-0"



BILL OF MATERIAL

DESCRIPTION	UNIT	QUANTITY
POLYMER CONCRETE	CU. FT.	45
SILICONE JOINT SEALER, 1"	FT.	456
SILICONE JOINT SEALER, 2 1/2"	FT.	239
SILICONE JOINT SEALER, 1 3/4"	FT.	239
FLOOR DRAINS	EACH	20

REVISIONS

NAME	DATE

ILLINOIS DEPARTMENT OF TRANSPORTATION

JOINT RESEALING AND
DRAIN EXTENSION DETAILS
F.A.I. RTE. 290 (I-290) OVER
GOLF ROAD
F.A.I. RTE. 290 SECTION: 2006-0301
COOK COUNTY STATION 612+95.92
STRUCTURE NO. 016-0980

SCALE: DATE: MAY 10, 2007 DRAWN BY: D.L./F.M. CHECKED BY: B.N.S./J.C.N.

CHRISTIAN-ROGE & ASSOC., INC.
CHICAGO ILLINOIS