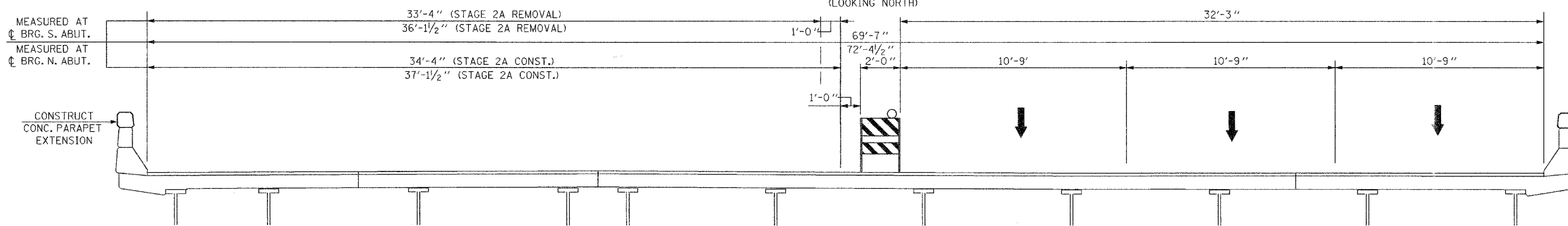
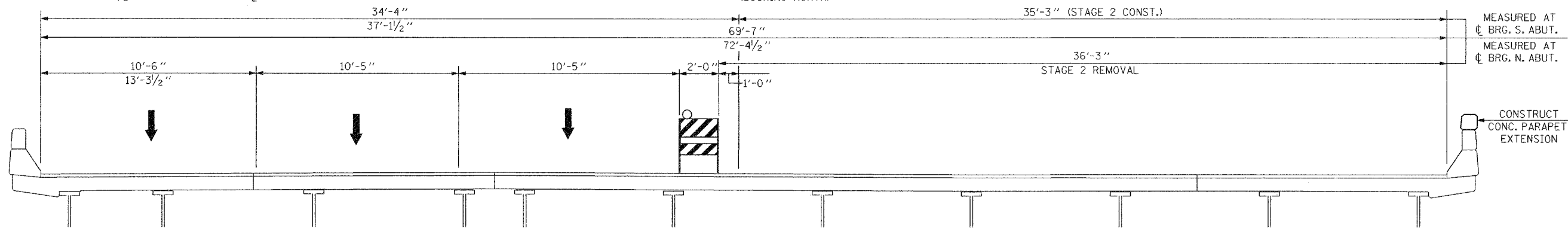
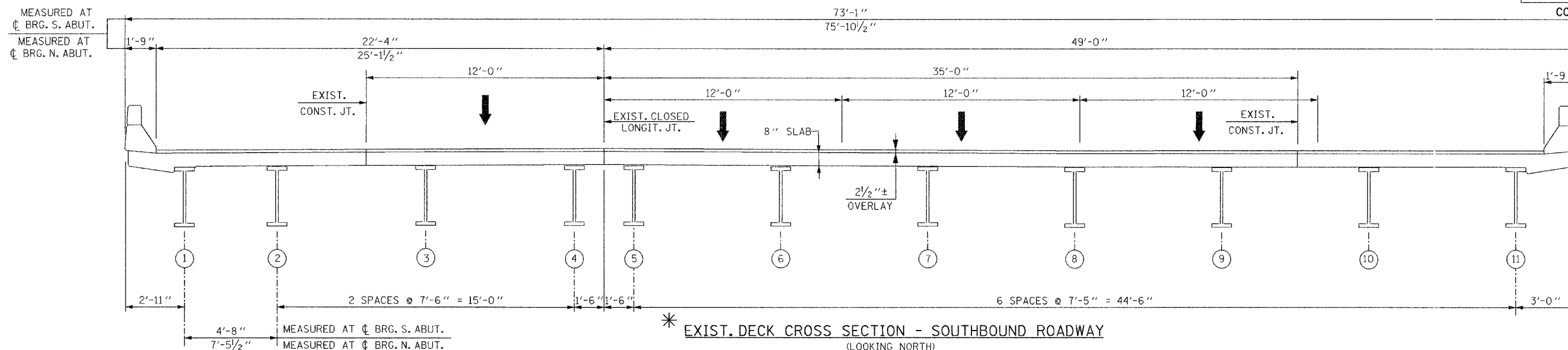


F.A.I. NO.	SECTION	COUNTY	TOTAL SHEETS	SHEET NO.
290	2006-0301	COOK	78	65
STA.		TO STA.		
FED. ROAD DIST. NO.		ILLINOIS	FED. AID PROJECT	

CONTRACT NO. 60B79



\* THERE IS NO WORK ON THIS BRIDGE DURING STAGE 1 & STAGE 1A CONSTRUCTION THEREFORE ALL TRAFFIC LANES WILL REMAIN OPEN DURING THESE STAGES

REVISIONS	
NAME	DATE

ILLINOIS DEPARTMENT OF TRANSPORTATION  
 EXIST. DECK CROSS SECTION & STAGING  
 F.A.I. RTE. 290 (I-290) OVER WOODFIELD DRIVE  
 F.A.I. RTE. 290 SECTION: 2006-0301  
 COOK COUNTY STATION: 583+97.56  
 STRUCTURE NO. 016-0978

SCALE: DATE: MAY 10, 2007  
 DRAWN BY: D.L./F.M.  
 CHECKED BY: B.N.S./J.C.N.

**CHRISTIAN-ROGE & ASSOC., INC.**  
 CHICAGO ILLINOIS