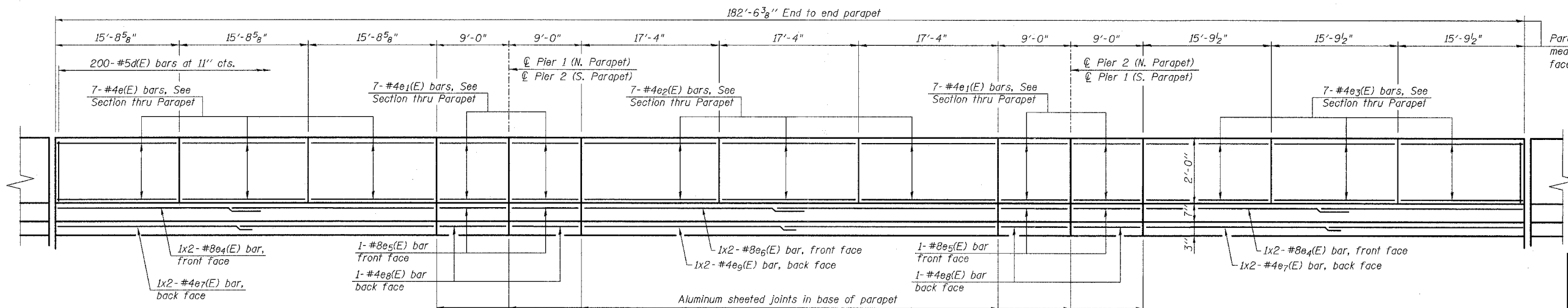


FAP. NO.	SECTION	COUNTY	TOTAL SHEETS	SHEET NO.
303	131B(1&2)BR	McHENRY	107	72
STA. TO STA.		FED. AID PROJECT		

CONTRACT NO. 60B83



INSIDE ELEVATION OF NORTH PARAPET

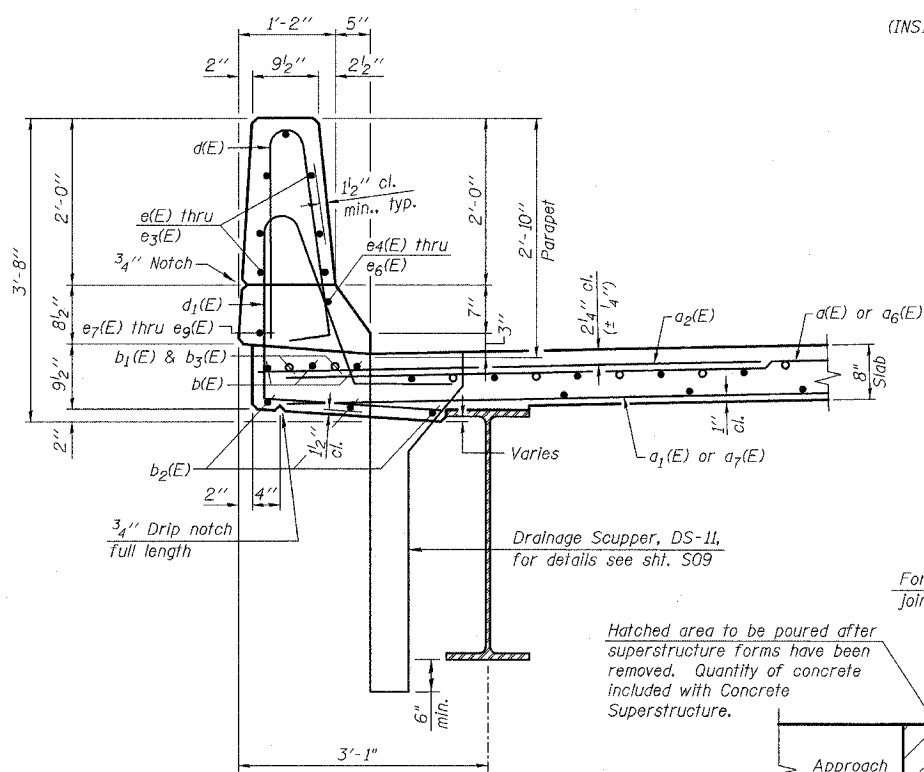
(LOOKING NORTH)
(INSIDE FACE OF SOUTH PARAPET OPPOSITE HAND)

MINIMUM BAR LAP

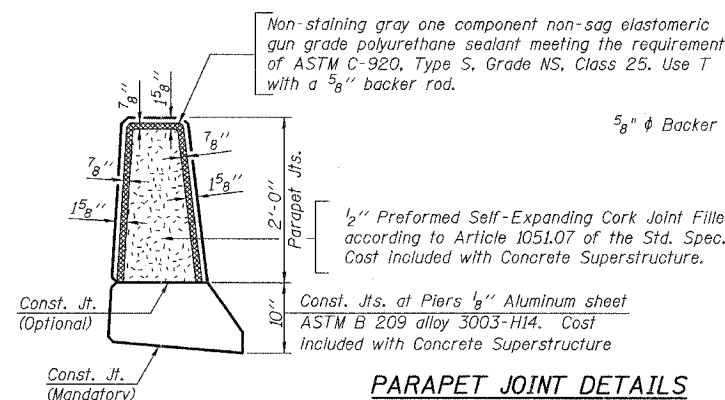
(Parapet)
#4 bar = 1'-4"
#8 bar = 3'-5"

SUPERSTRUCTURE BILL OF MATERIAL

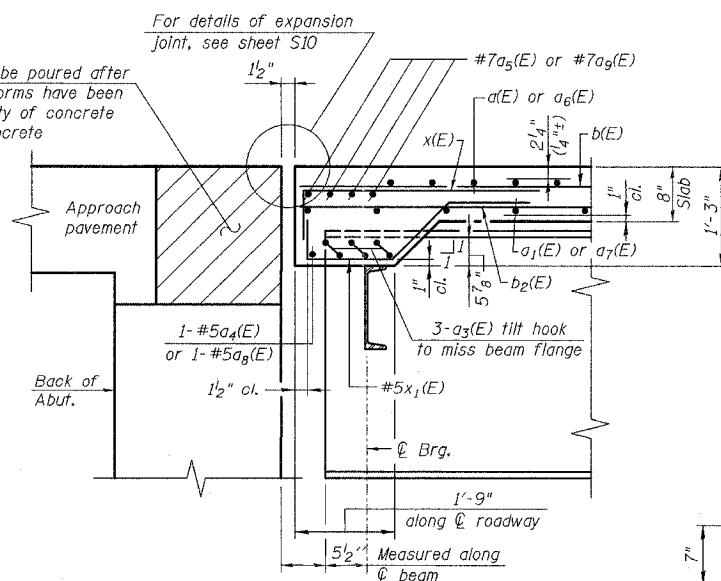
Bar	No.	Size	Length	Shape
a(E)	245	#5	17'-2"	
a1(E)	220	#5	16'-10"	
a2(E)	122	#6	6'-0"	
a3(E)	30	#6	9'-7"	
a4(E)	2	#6	23'-7"	
a5(E)	8	#7	23'-10"	
a6(E)	245	#5	24'-11"	
a7(E)	220	#5	24'-7"	
a8(E)	2	#6	34'-3"	
a9(E)	8	#7	34'-6"	
a10(E)	16	#5	1'-6"	
b(E)	329	#5	27'-11"	
b1(E)	86	#6	30'-0"	
b2(E)	288	#5	24'-9"	
b3(E)	86	#6	13'-1"	
d(E)	400	#5	5'-7"	
d1(E)	400	#5	7'-11"	
e(E)	42	#4	15'-4"	
e1(E)	56	#4	8'-8"	
e2(E)	42	#4	17'-0"	
e3(E)	42	#4	15'-5"	
e4(E)	8	#8	25'-3"	
e5(E)	8	#8	8'-8"	
e6(E)	4	#8	27'-7"	
e7(E)	8	#4	24'-3"	
e8(E)	8	#4	8'-8"	
e9(E)	4	#4	26'-6"	
x(E)	94	#5	4'-11"	
x1(E)	72	#5	5'-11"	
Bar Splicers	Each		475	
Reinforcement Bars, Epoxy Coated	Pound		55,020	
Concrete Superstructure	Cu. Yds.		253.7	
Protective Coat	Sq. Yds.		966	
Bridge Deck Grooving	Sq. Yds.		772	



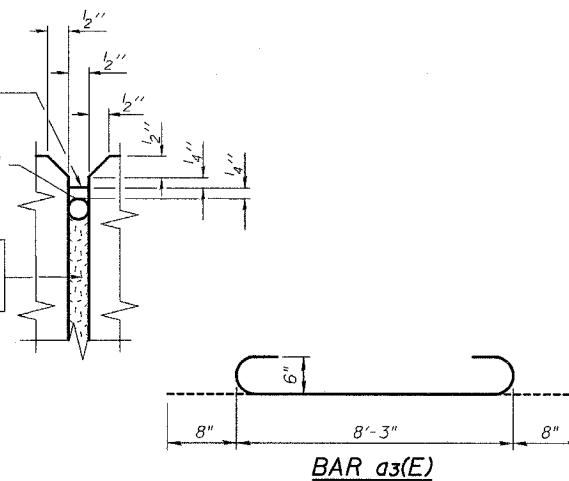
SECTION THRU PARAPET



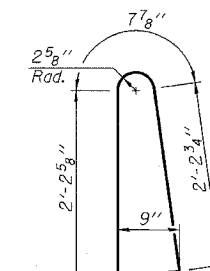
PARAPET JOINT DETAILS



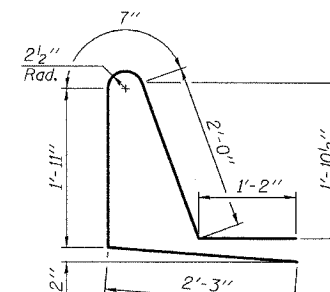
SECTION A-A



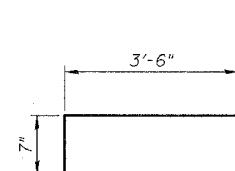
BAR a3(E)



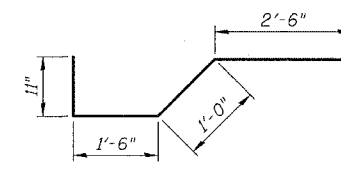
BAR d(E)



BAR d1(E)



BAR x(E)



BAR x1(E)

REVISIONS	
NAME	DATE

ILLINOIS DEPARTMENT OF TRANSPORTATION
PARAPETS, DECK DETAILS & SUPERSTRUCTURE BILL OF MATERIAL
 IL. RTE. 173 OVER
 PISCASAW CREEK
 F.A.P. RTE. 303 SECTION: 131B(1&2)BR
 McHENRY COUNTY STATION 100+00.00
 STRUCTURE NO. 056-0090
 SCALE: DRAWN BY: D.L./F.M.
 DATE: APRIL 2, 2007 CHECKED BY: B.N.S./J.C.N.
CHRISTIAN-ROGE & ASSOC., INC.
 CHICAGO ILLINOIS

Rev. 6-5-07