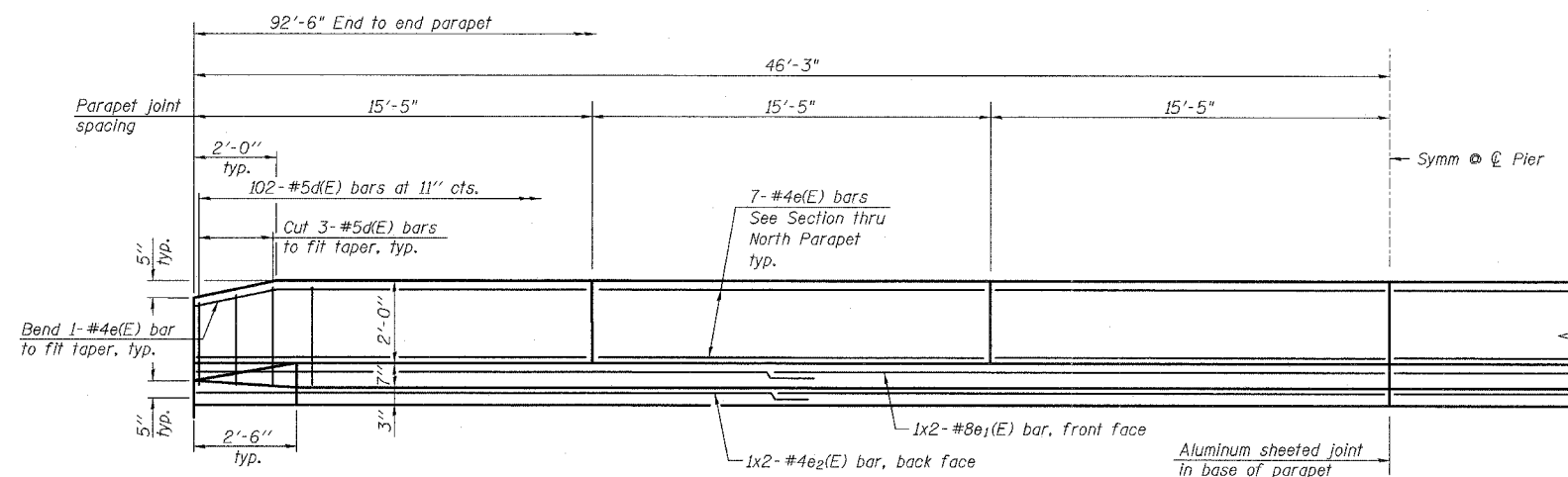
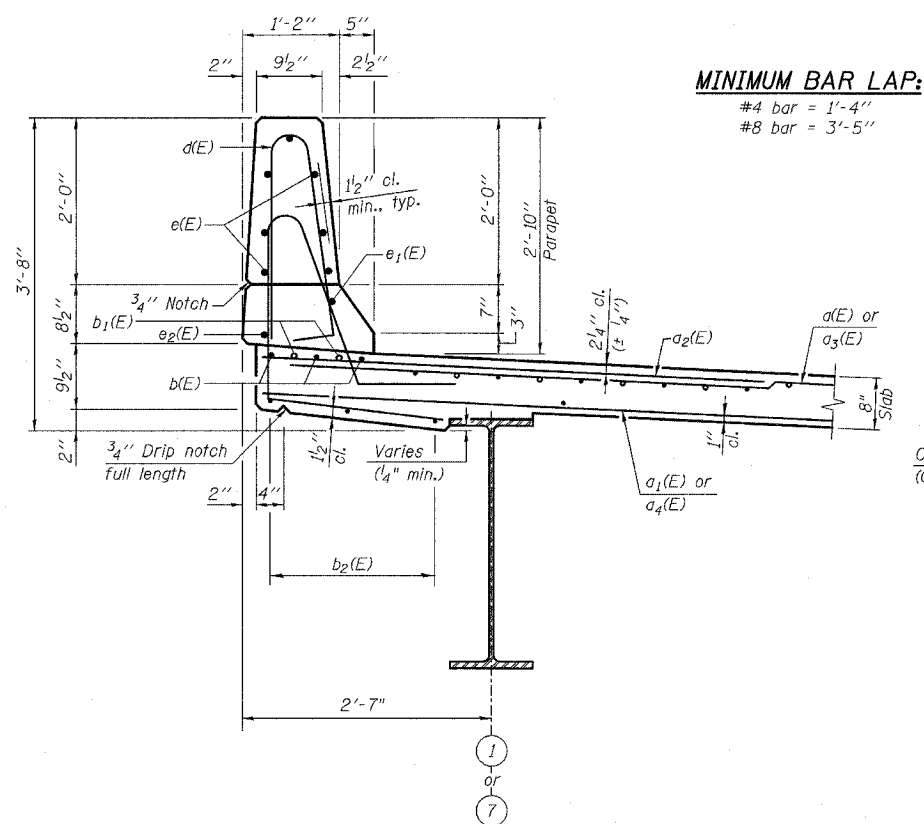


F.A.P. NO.	SECTION	COUNTY	TOTAL SHEETS	SHEET NO.
303	131B(1&2)BR	McHENRY	107	49
STA.	TO STA.			
	McHENRY			
FED. ROAD DIST. NO.	ILLINOIS	FED. AID PROJECT		

CONTRACT NO. 60B83

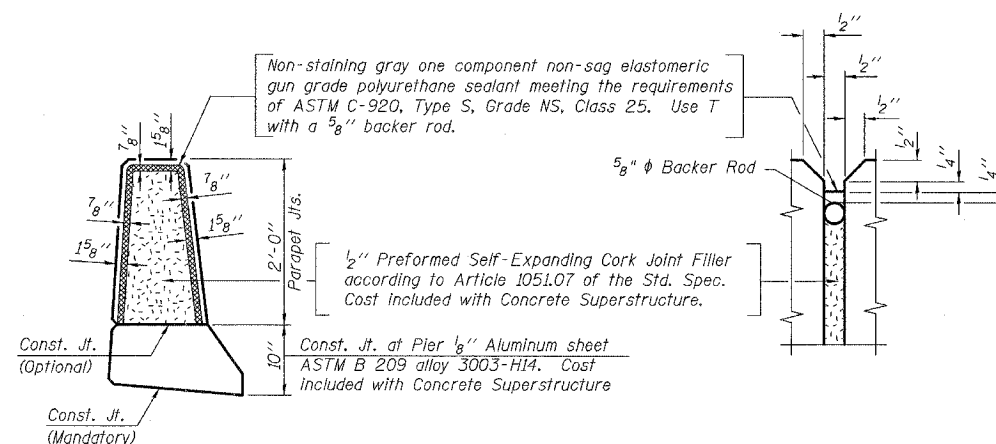


**INSIDE ELEVATION OF NORTH PARAPET**  
(SOUTH PARAPET SIMILAR)



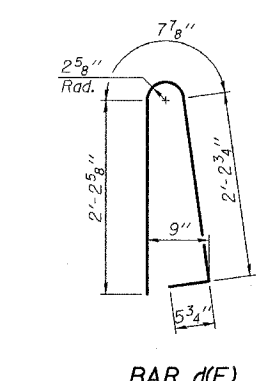
**SECTION THRU NORTH PARAPET**  
(SOUTH PARAPET SIMILAR)

**MINIMUM BAR LAP:**  
#4 bar = 1'-4"  
#8 bar = 3'-5"

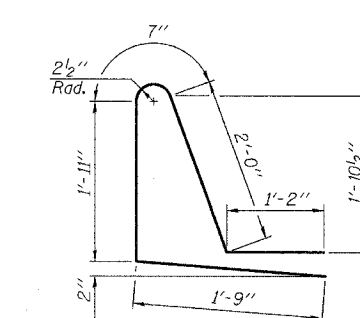


**PARAPET JOINT DETAILS**

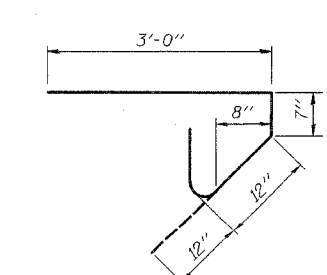
**Notes:**  
The exterior surfaces of the floor drains shall be painted with the finish coat as specified in the special provisions for Cleaning and Painting New Metal Structures. The exterior surfaces of the drains shall be cleaned according to Steel Structures Painting Council's Spec. SSPC-SPI prior to painting.  
Fiberglass pipe shall conform to ASTM D 2996, with short-time rupture strength hoop tensile stress of 30,000 p.s.i. minimum.



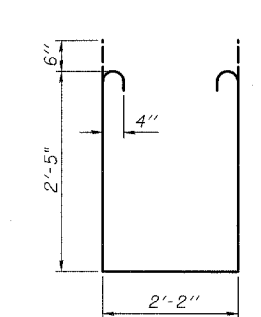
**BAR d(E)**



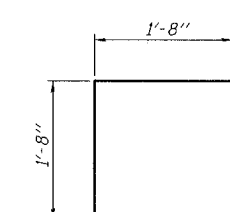
**BAR d1(E)**



**BAR s(E)**



**BAR s1(E)**



**BAR v(E)**

**SUPERSTRUCTURE BILL OF MATERIAL**

Bar	No.	Size	Length	Shape
a(E)	131	#5	17'-2"	
a1(E)	112	#5	16'-10"	
a2(E)	132	#6	6'-0"	
a3(E)	131	#5	24'-11"	
a4(E)	112	#5	24'-7"	
b(E)	188	#5	24'-9"	
b1(E)	43	#6	28'-0"	
b2(E)	180	#5	20'-2"	
d(E)	204	#5	5'-7"	
d1(E)	204	#5	7'-5"	
e(E)	42	#4	15'-1"	
e1(E)	4	#8	24'-8"	
e2(E)	4	#4	23'-8"	
m(E)	10	#6	17'-4"	
m1(E)	10	#6	25'-1"	
m2(E)	8	#6	7'-0"	
m3(E)	12	#6	9'-1"	
m4(E)	4	#6	6'-10"	
m5(E)	4	#6	8'-3"	
m6(E)	10	#6	5'-11"	
m7(E)	2	#6	2'-2"	
m8(E)	4	#6	2'-3"	
m9(E)	2	#6	3'-6"	
s(E)	86	#5	5'-7"	
s1(E)	86	#4	8'-0"	
v(E)	82	#5	3'-4"	
Reinforcement Bars, Epoxy Coated		Pound	28,080	
Concrete Superstructure		Cu. Yds.	144	
Bar Splicers		Each	341	
Protective Coat		Sq. Yds.	486	
Bridge Deck Grooving		Sq. Yds.	391	

Bars indicated thus 1x2-#5 etc., indicates 1 line of bars with 2 lengths per line

REVISIONS	
NAME	DATE

ILLINOIS DEPARTMENT OF TRANSPORTATION

**PARAPETS, DECK DETAILS & SUPERSTRUCTURE BILL OF MATERIAL**  
IL. RTE. 173 OVER  
PISCASAW CREEK OVERFLOW  
F.A.P. RTE. 303 SECTION: 131B(1&2)BR  
McHENRY COUNTY STATION 90+20.80  
STRUCTURE NO. 056-0089

SCALE: DRAWN BY: D.L./F.M.  
DATE: APRIL 13, 2007 CHECKED BY: B.N.S./J.C.N.

**CHRISTIAN-ROGE & ASSOC., INC.**  
CHICAGO ILLINOIS