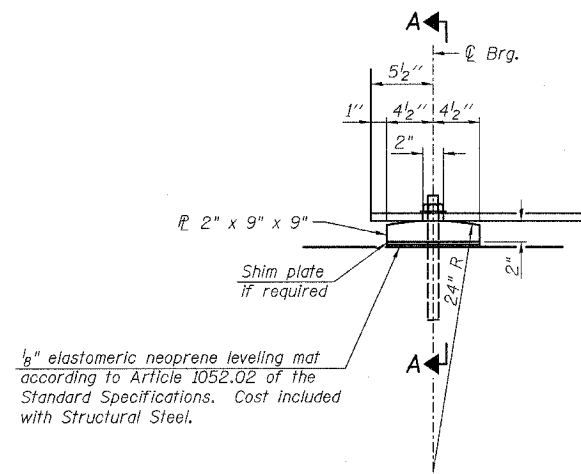


F.A.P. DIST. NO.	SECTION	COUNTY	TOTAL SHEETS	SHEET NO.
303	131B(1&2)BR	McHENRY	107	52
STA.	TO STA.			
FED. ROAD DIST. NO.	ILLINOIS	FED. AID PROJECT		

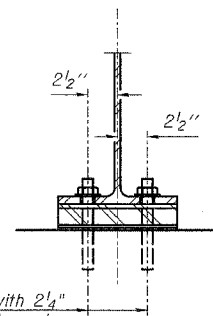
CONTRACT NO. 60B83



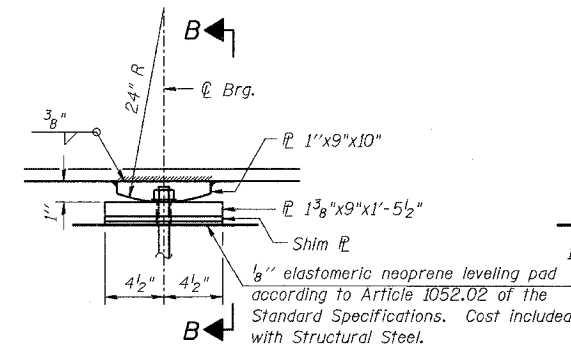
ELEVATION AT ABUTMENT

FIXED BEARING
(14 Required)

1" ϕ x 12" anchor bolts with 2 1/4" x 2 1/4" x 3/16" ϕ washer under nut. 1 3/8" x 2" slotted hole in flange. 1/2" ϕ holes in bearing plate. Contractor has the option of cast in place or drilled installation.

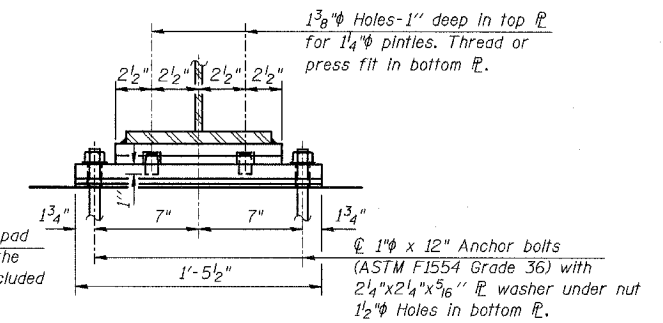


SECTION A-A

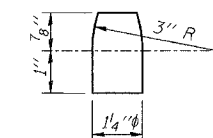


ELEVATION AT PIER

FIXED BEARING
(7 Required)



SECTION B-B



PINTLE

Notes:
Anchor bolts shall be ASTM F1554 all-thread (or an Engineer-approved alternate material) of the grade(s) and diameter(s) specified. ASTM A307 Grade C anchor bolts may be used in lieu of ASTM F1554 Grade 36 (Fy=36ksi). The corresponding specified grade of AASHTO M314 anchor bolts may be used in lieu of ASTM F1554.
Anchor bolts at fixed bearings may be either cast in place or installed in holes drilled after the supported member is in place.
Drilled and set anchor bolts shall be installed according to Article 521.06 of the Standard Specifications.
The structural steel plates of the Bearing Assembly shall conform to the requirements of AASHTO M270 Grade 50.
Two 1/8" (in.) adjusting shims shall be provided for each bearing in addition to all other plates or shims and placed as shown on bearing details.

BILL OF MATERIAL

Item	Unit	Total
Anchor Bolts 1" ϕ	Each	42

REVISIONS	
NAME	DATE

ILLINOIS DEPARTMENT OF TRANSPORTATION
BEARING DETAILS
IL. RTE. 173
OVER
PISCASAW CREEK OVERFLOW
F.A.P. RTE. 303 SECTION: 131B(1&2)BR
McHENRY COUNTY STATION 90+20.80
STRUCTURE NO. 056-0089
SCALE: DATE: APRIL 13, 2007 DRAWN BY: D.L./F.M. CHECKED BY: B.N.S./J.C.N.
CHRISTIAN-ROGE & ASSOC., INC.
CHICAGO ILLINOIS